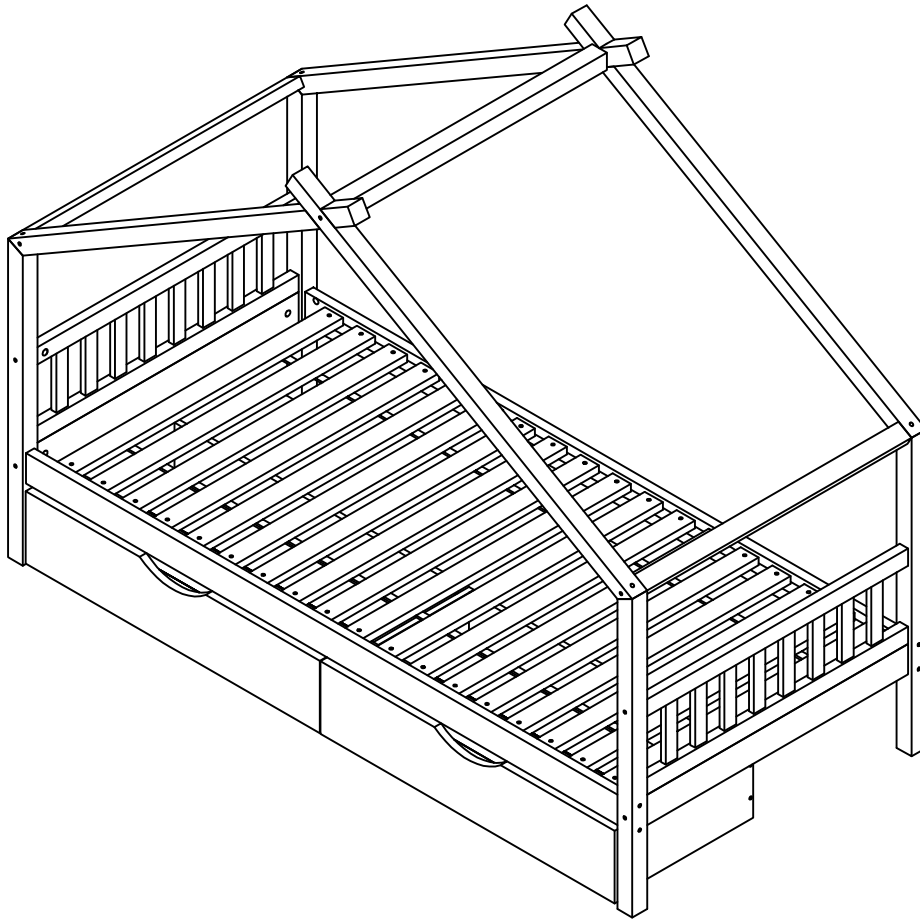
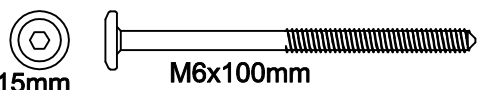

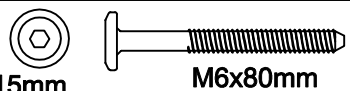
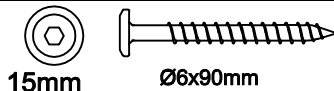

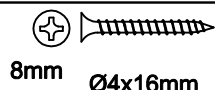



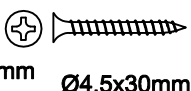

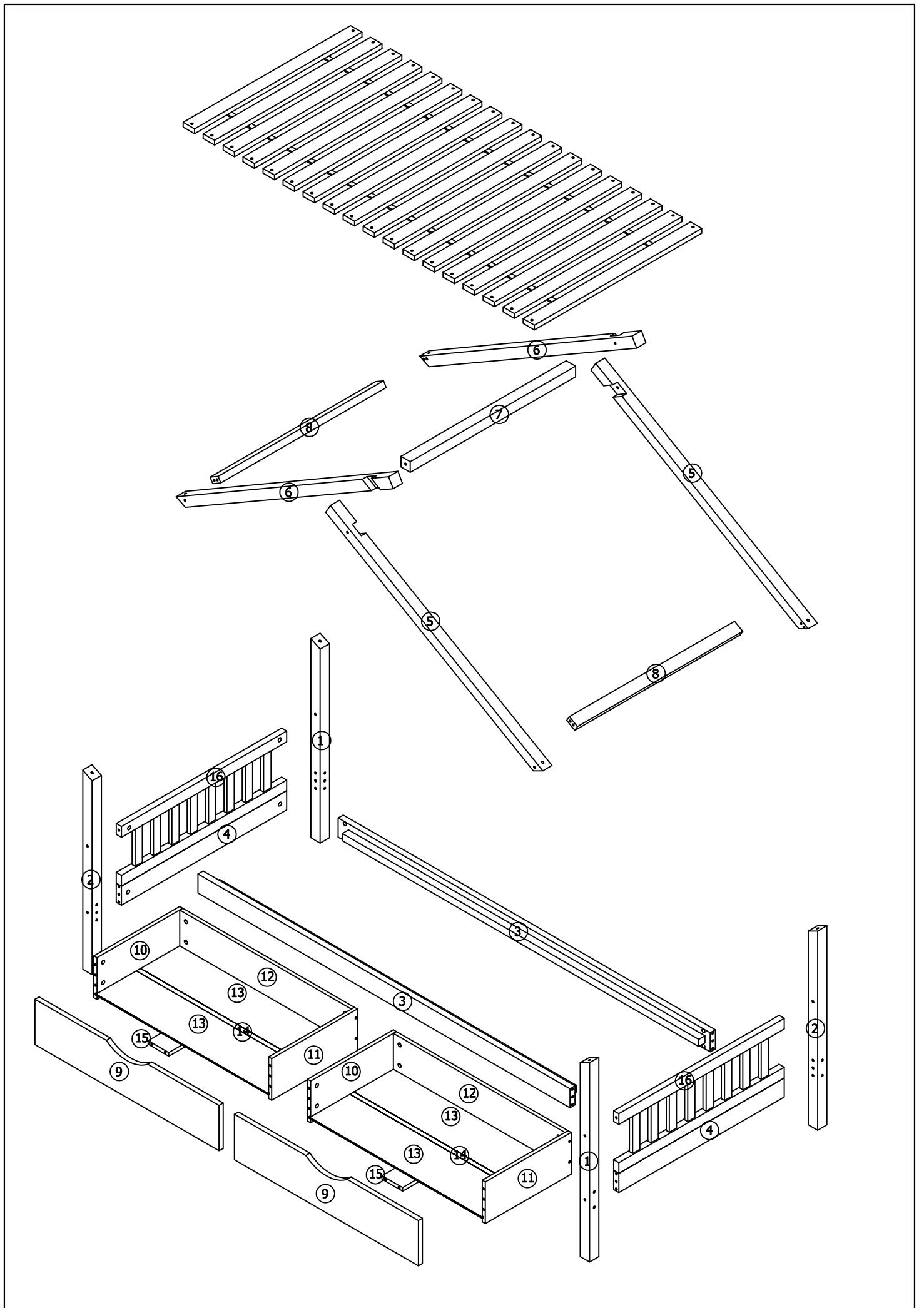


# ELISIA

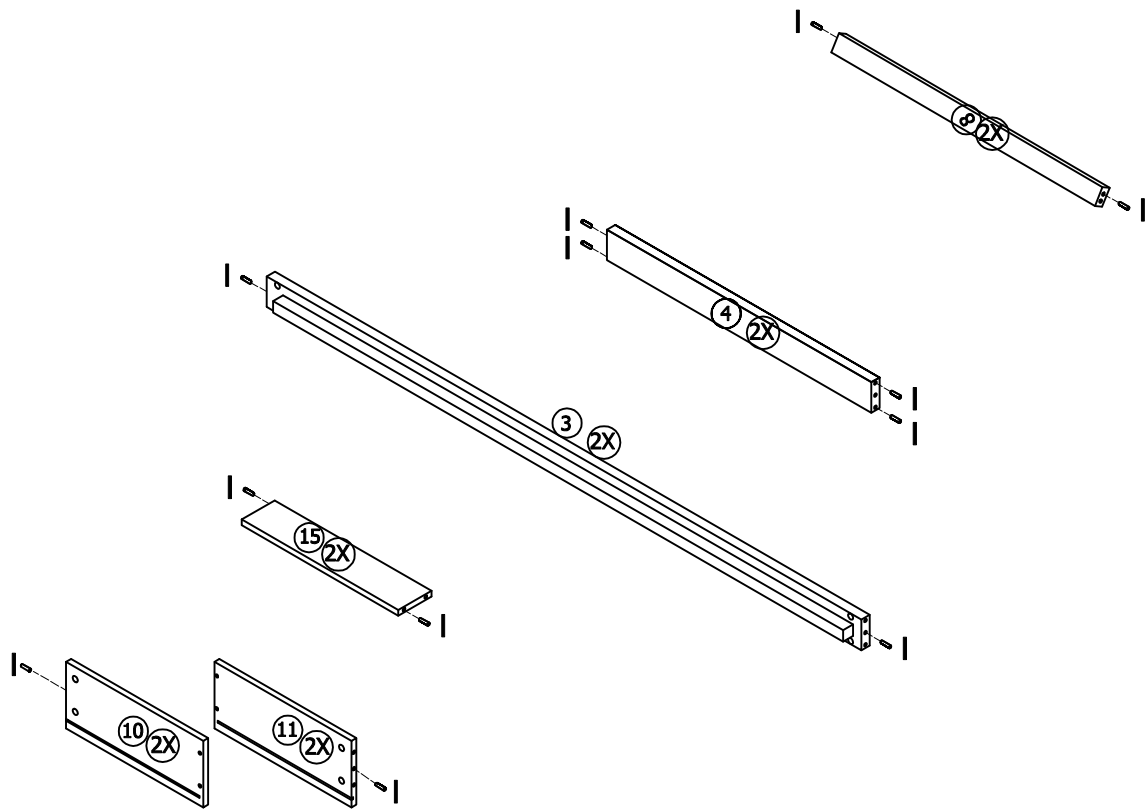



<b>A</b>	 15mm M6x100mm	<b>08</b>
<b>B</b>		<b>20</b>
<b>C</b>	 15mm M6x80mm	<b>12</b>
<b>D</b>	 15mm Ø6x90mm	<b>06</b>
<b>E</b>	 E1 E2	<b>12</b>
<b>F</b>	 8mm Ø4x16mm	<b>16</b>

<b>G</b>	 Ø15mm	<b>16</b>
<b>H</b>		<b>08</b>
<b>I</b>	 Ø8x30mm	<b>24</b>
<b>J</b>	 8mm Ø4.5x30mm	<b>44</b>
<b>K</b>		<b>01</b>

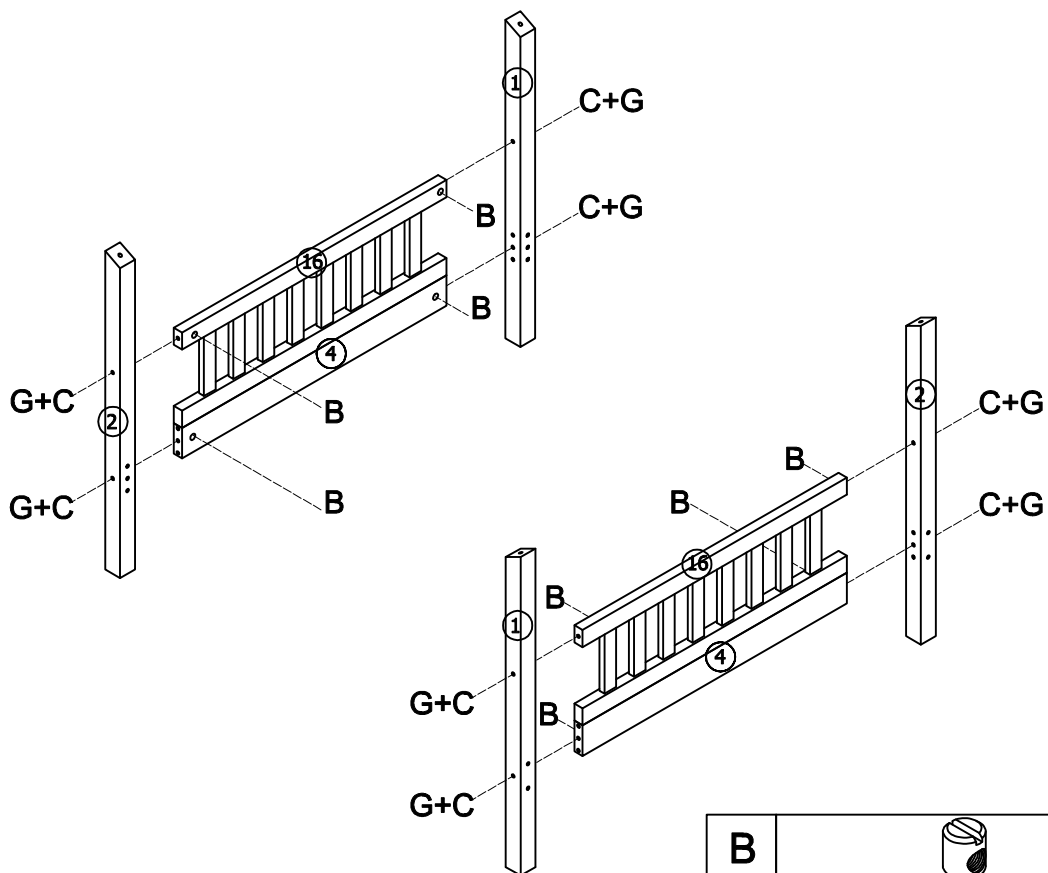





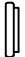

# 01



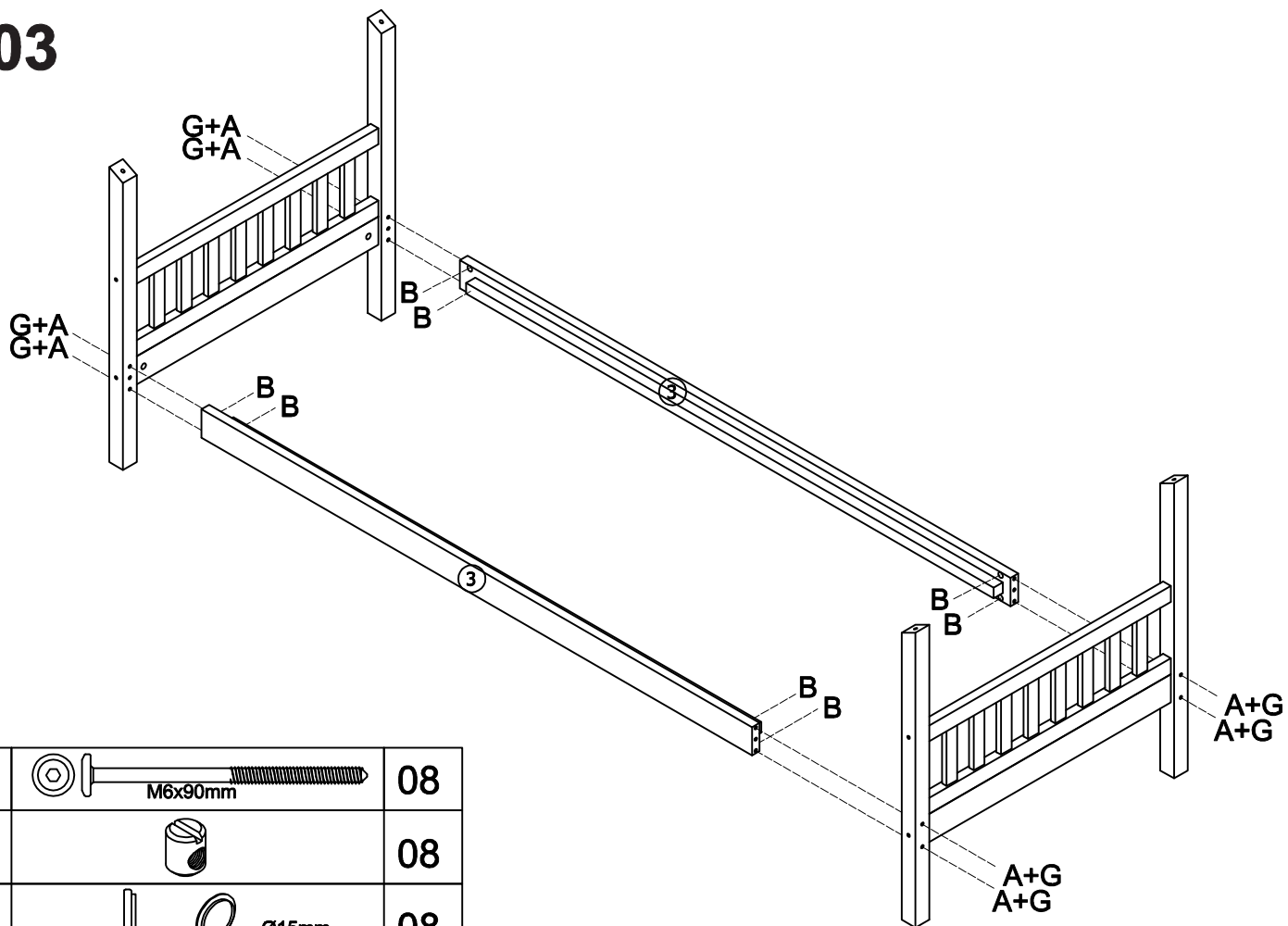
I	 Ø8x30mm	24
---	--	----




# 02



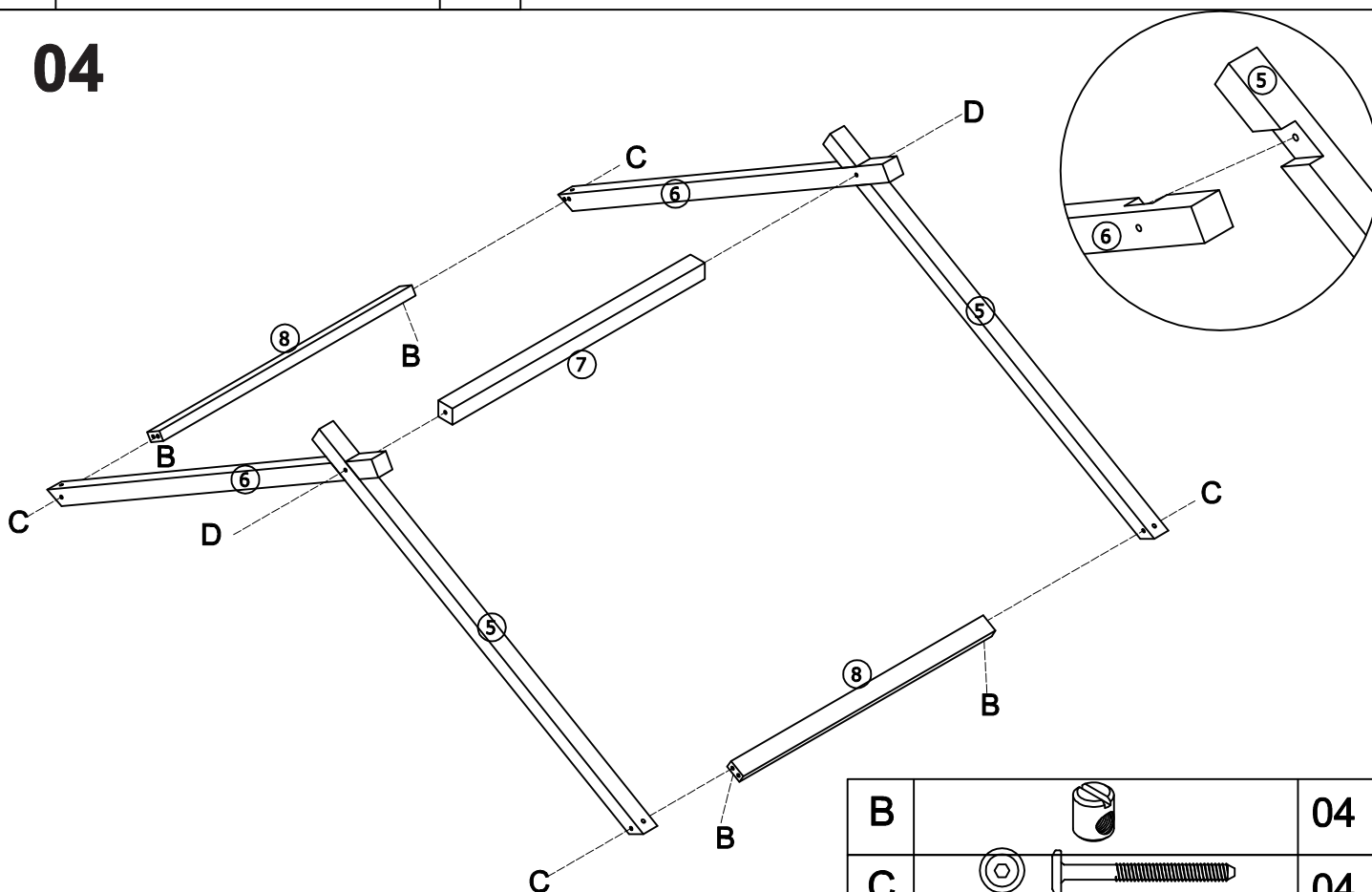
B		08
C	 15mm  M6x80mm	08
G	  Ø15mm	08




# 03



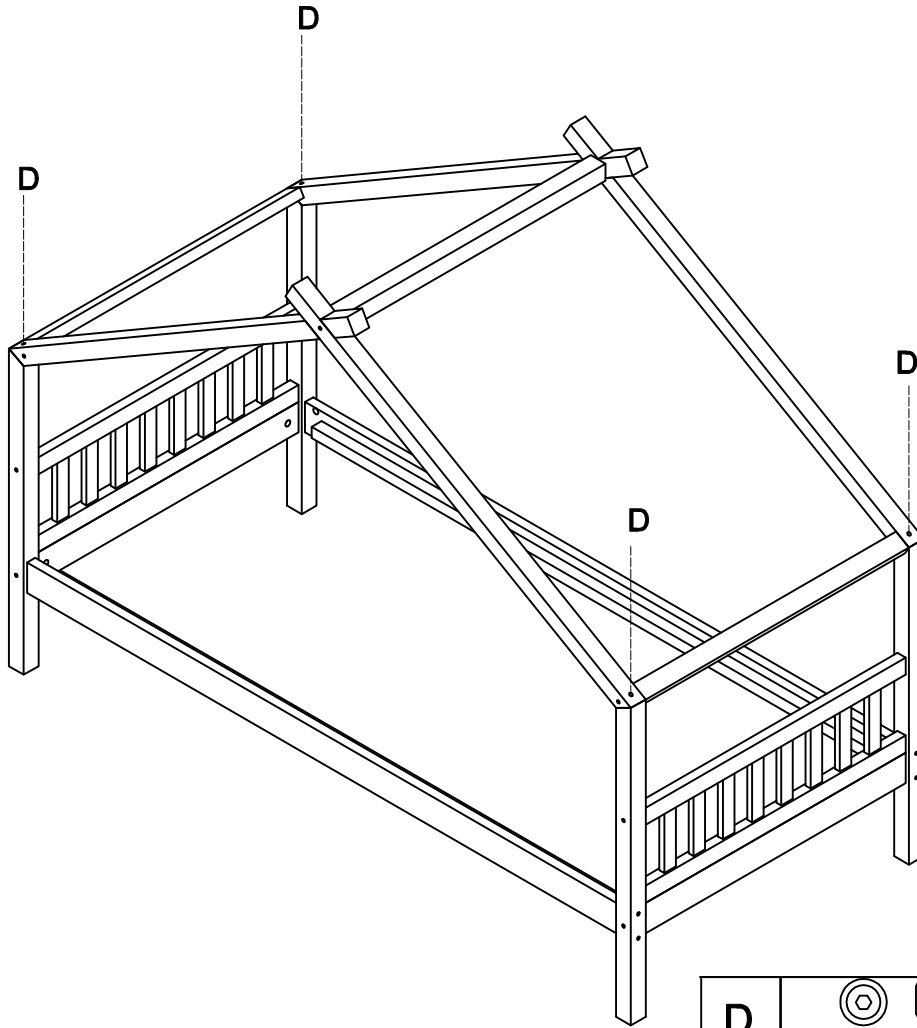
A	 M6x90mm	08
B		08
G	 Ø15mm	08


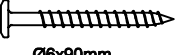
# 04



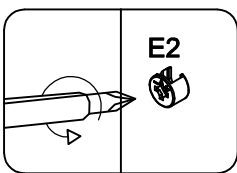
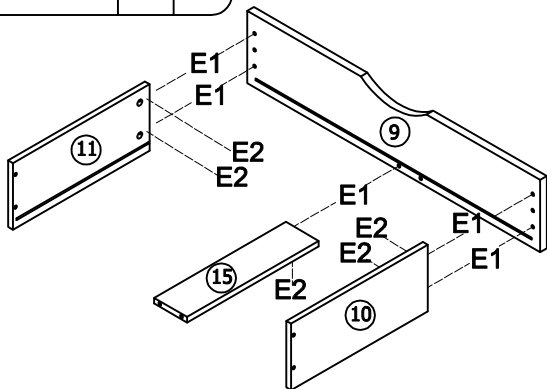
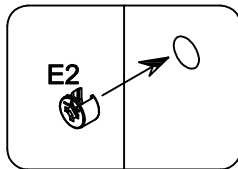
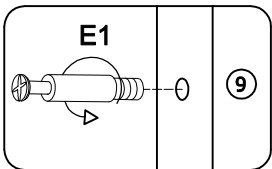
B		04
C	 15mm M6x80mm	04
D	 15mm Ø6x90mm	02



# 05



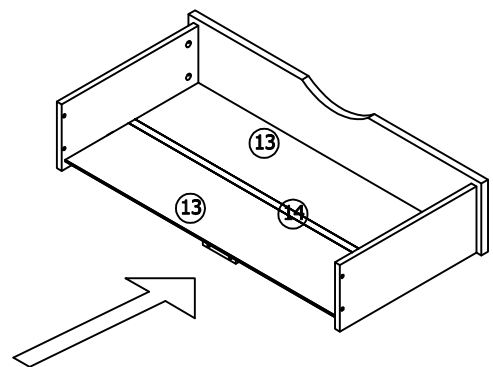
D			04
	15mm	Ø6x90mm	

# 06

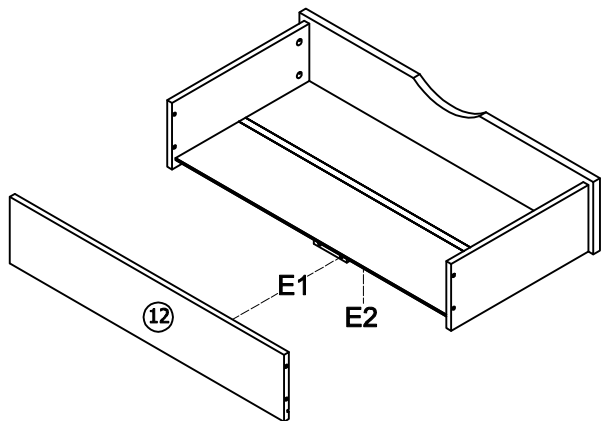


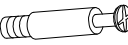

E			10
	E1	E2	

# 07

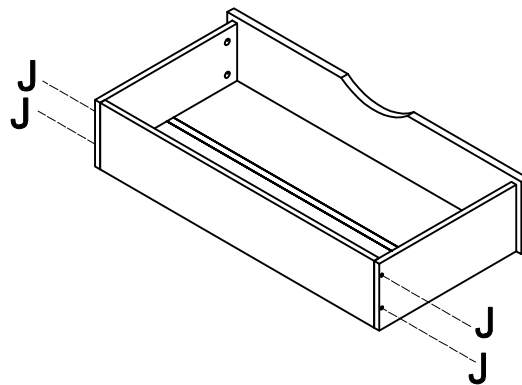


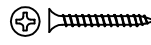
# 08



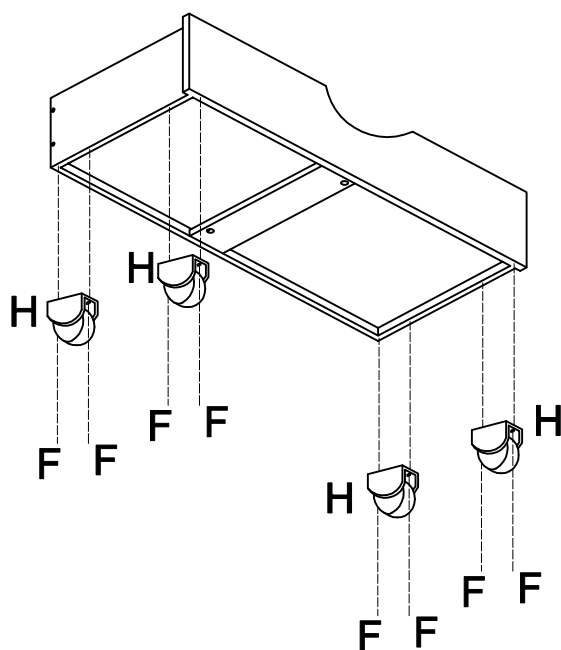
E			02
---	---	---	----

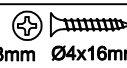

# 09



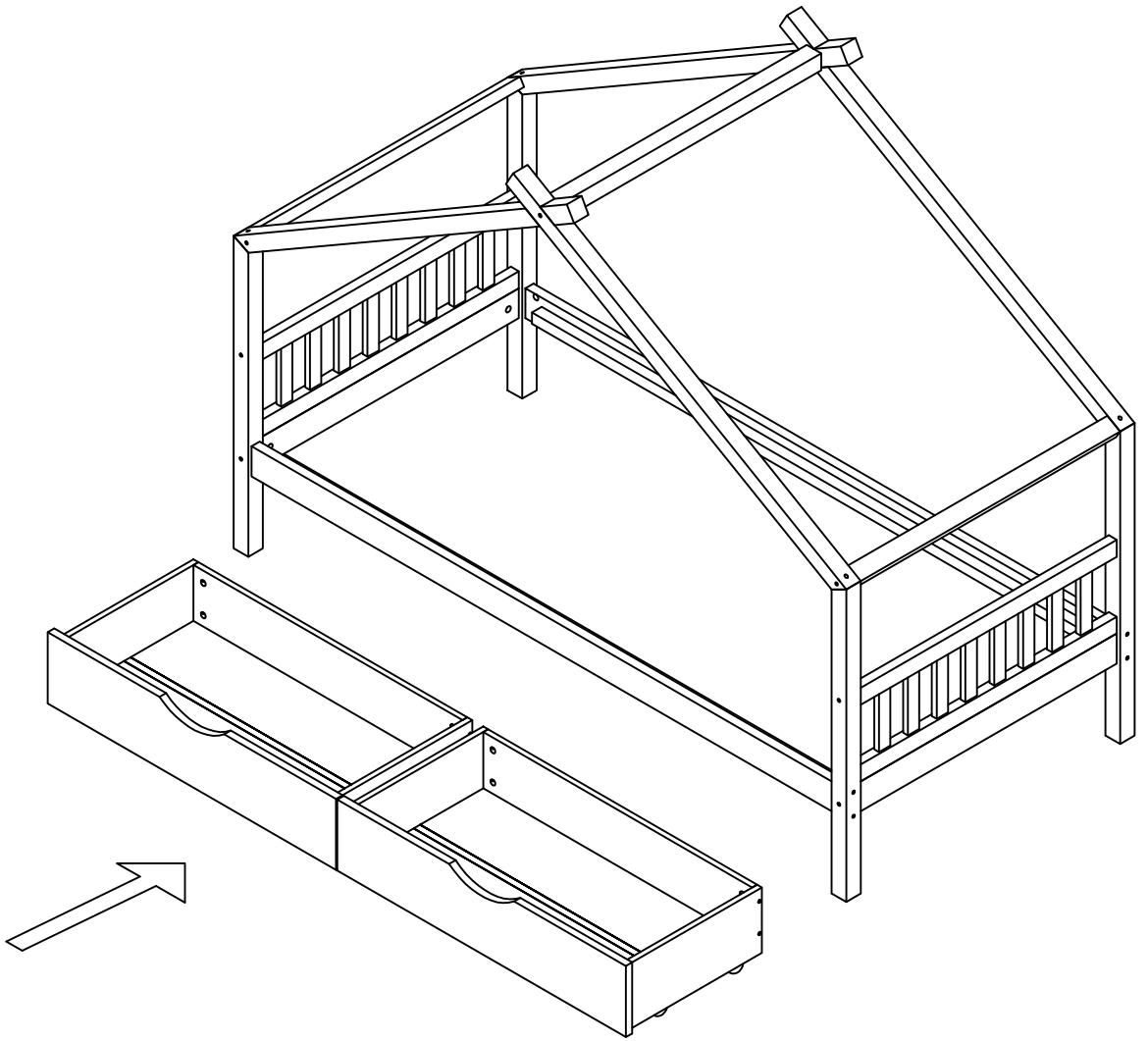
J		08
---	---	----

# 10

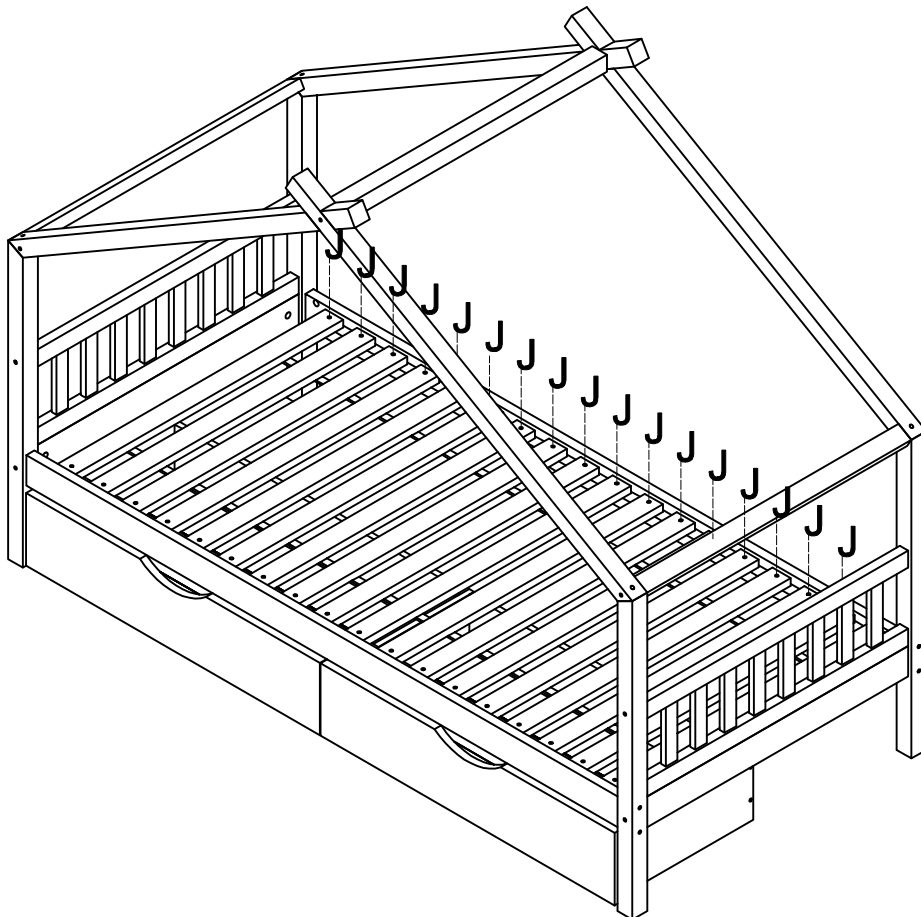


F		16
H		08

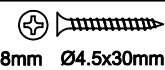
11



12



J



8mm Ø4.5x30mm

36