

**A**

# INDIANA

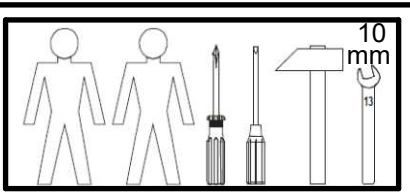
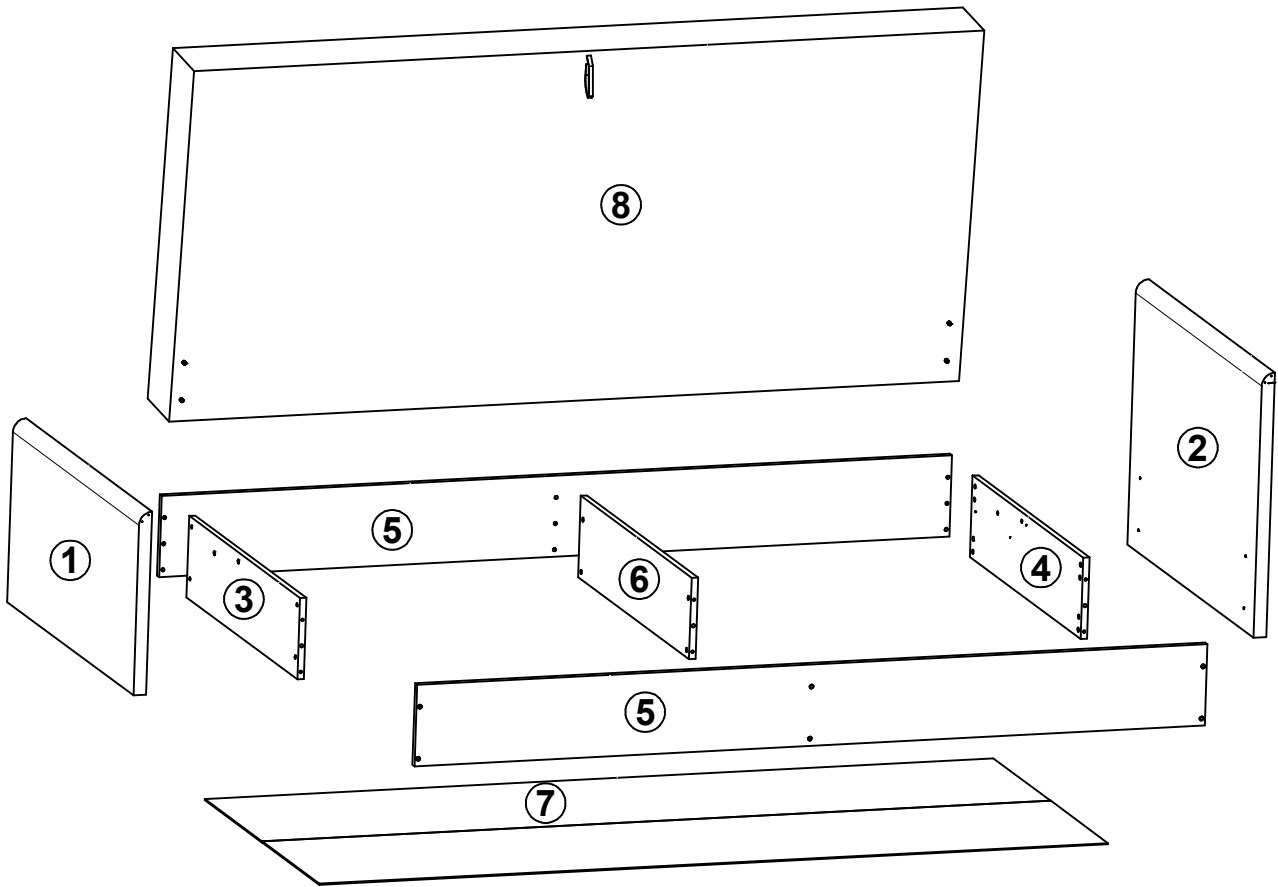
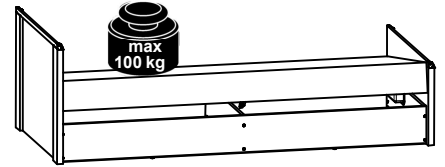
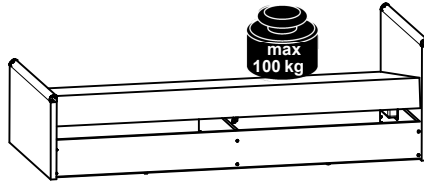
**S31-JLOZ 90**

A	B	C	D	
1	S31-025	930	450	2/2
2	S31-026	930	650	2/2
3	S31-130	818	200	1/2
4	S31-131	818	200	1/2
5	S31-132	1990	200	1/2
6	S31-133	818	200	1/2
7	S31-919	1986	845	1/2
8	XMT90-199	1990	900	-



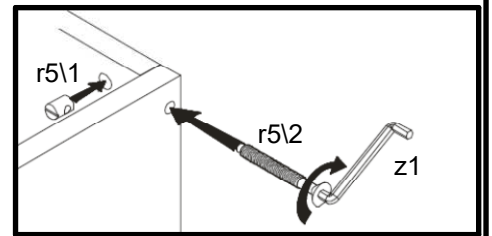
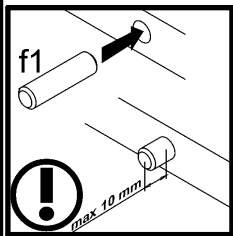
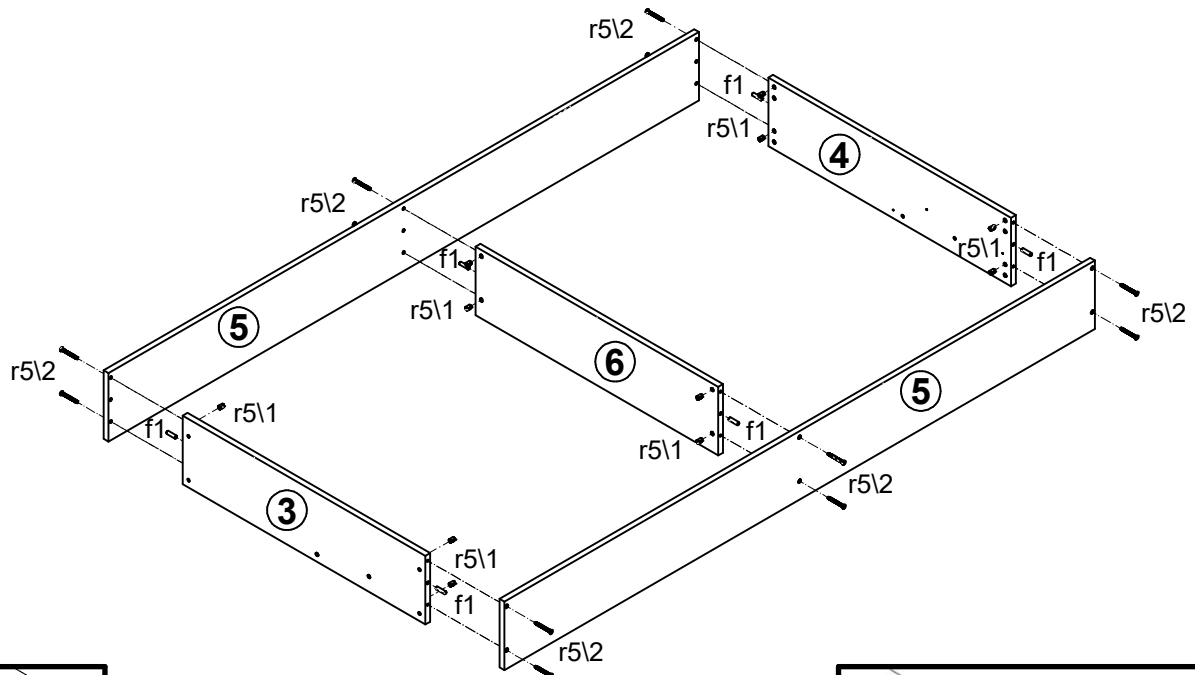
**A**

**B**

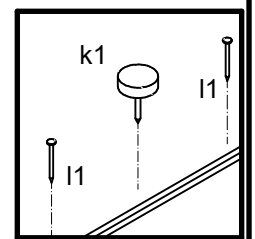
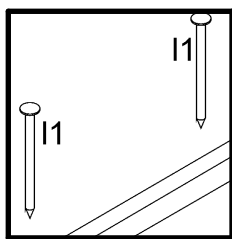
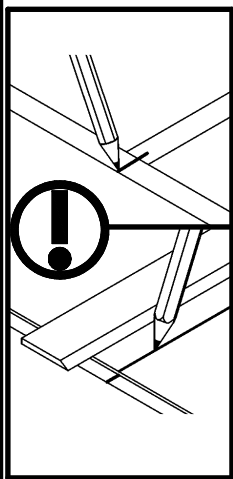
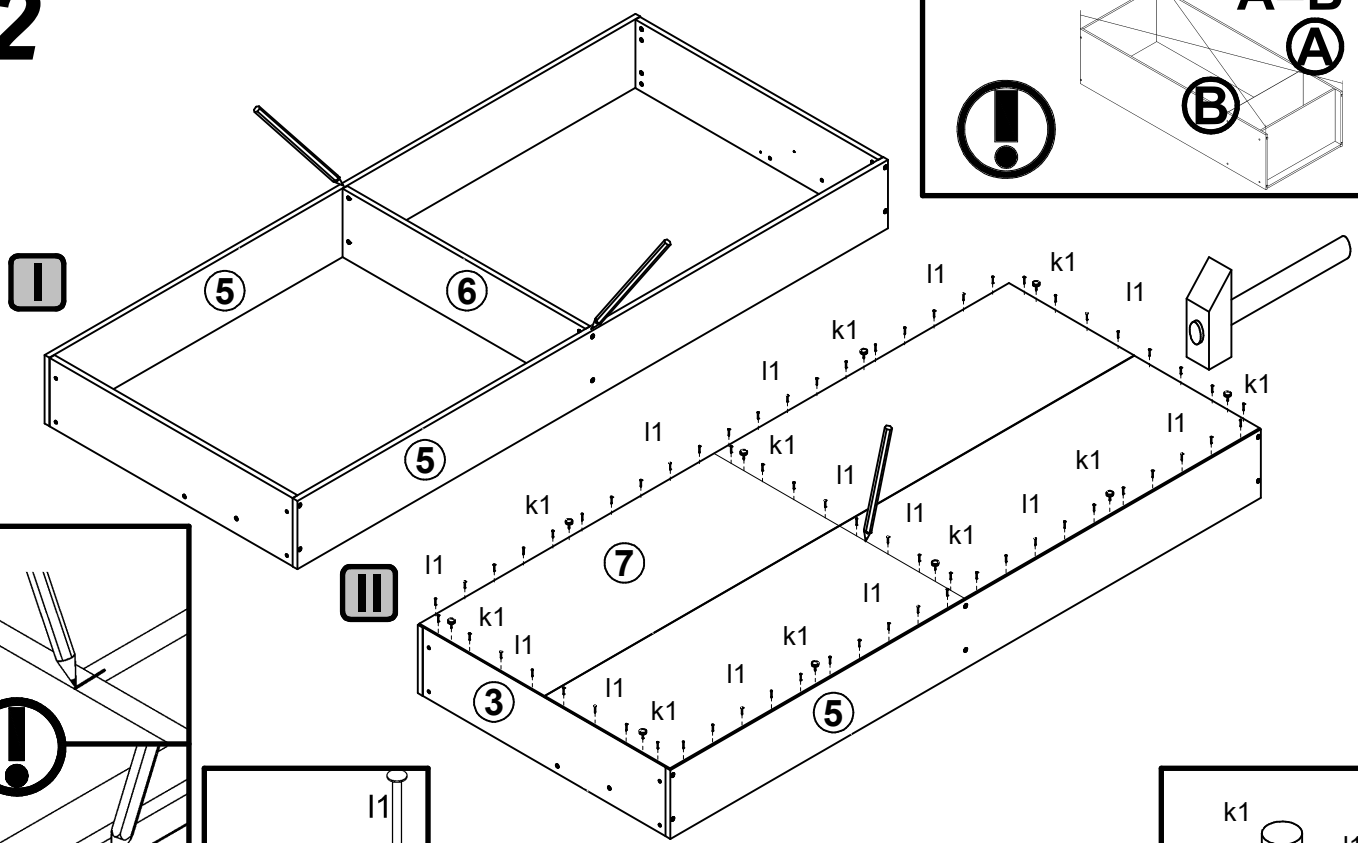


8x Ø7x28 mm <b>e22</b>	6x Ø8x30 mm <b>f1</b>	8x M6 <b>j10</b>	4x M6x30 mm <b>j9</b>	10x <b>k1</b>	70x <b>l1</b>	4x <b>l27</b>	4x <b>m28\1</b>	1x <b>m28\L</b>
1x <b>m28\P</b>	8x Ø22\Ø61.5 mm <b>o6</b>	6x Ø3.5x13 mm <b>p1</b>	8x Ø3x12 mm <b>p83</b>	12x Ø10x13 mm <b>r5\1</b>	12x M6x50 mm <b>r5\2</b>	1x 395 mm <b>s7\L</b>	1x 395 mm <b>s7\P</b>	12x <b>s1</b>
								1x 4 mm <b>z1</b>

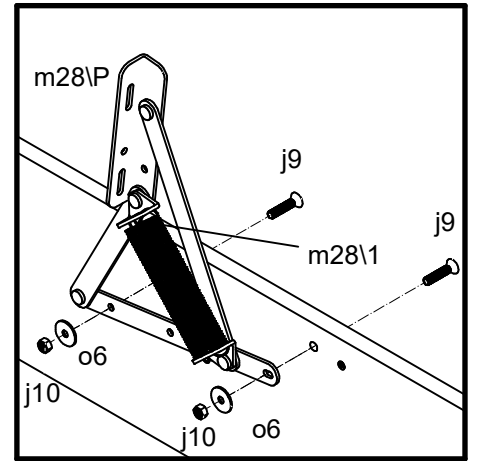
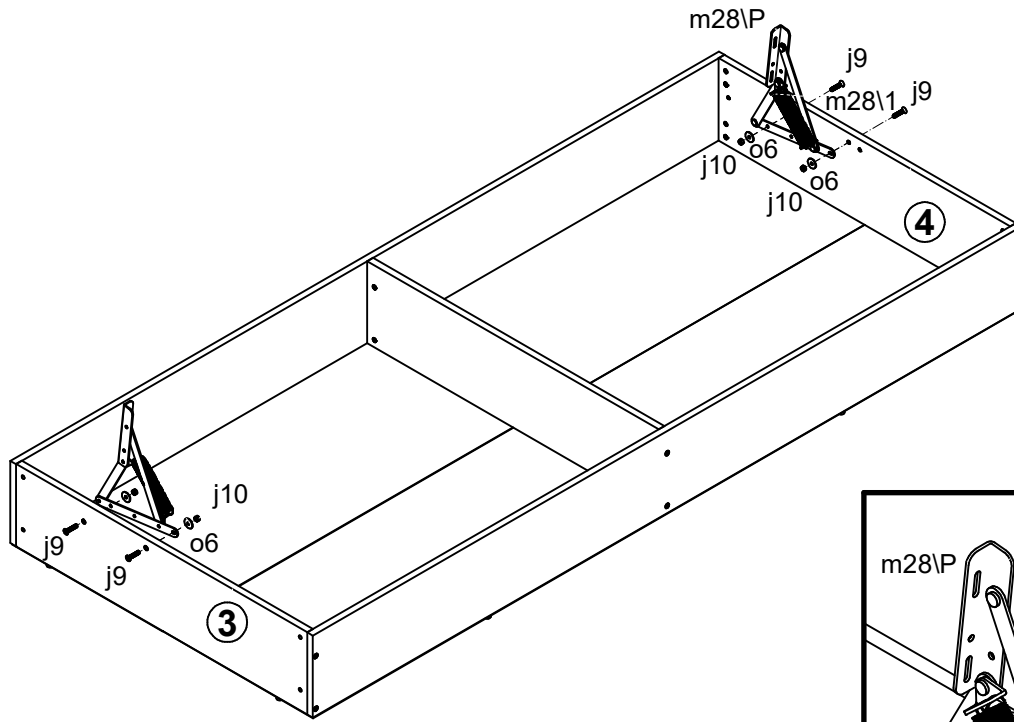
**1** §2 §6



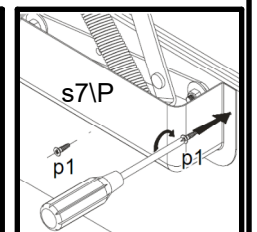
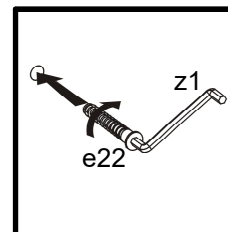
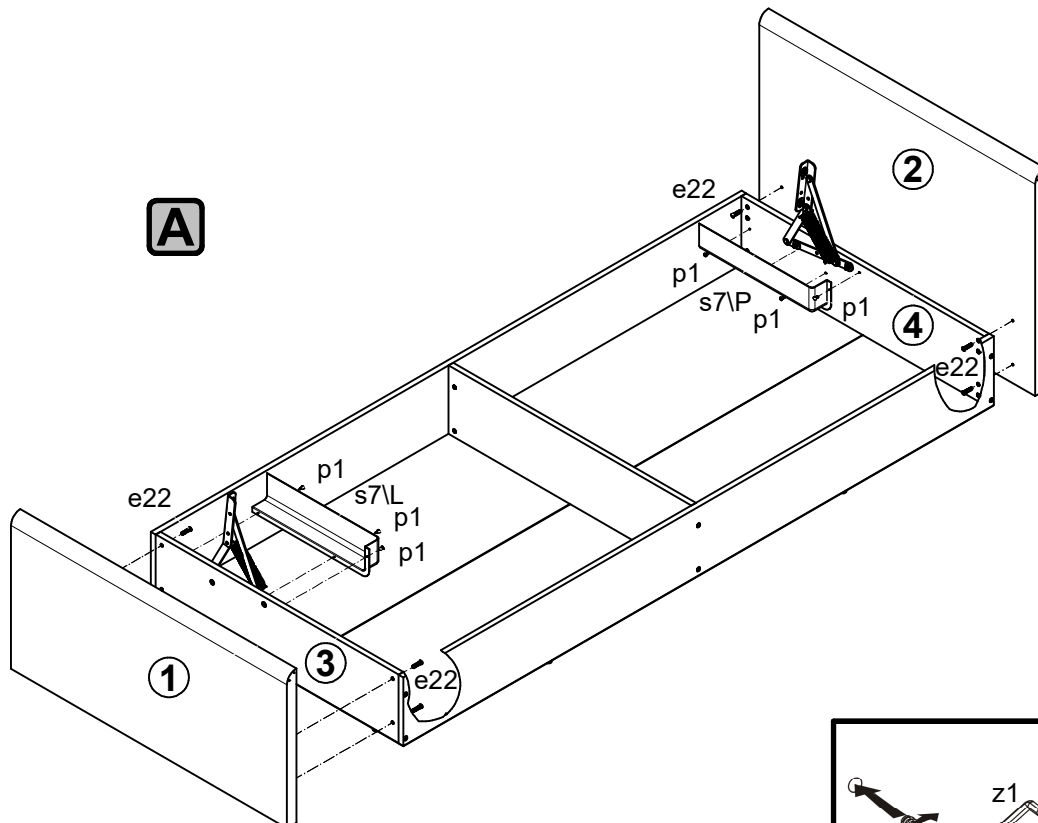
**2**



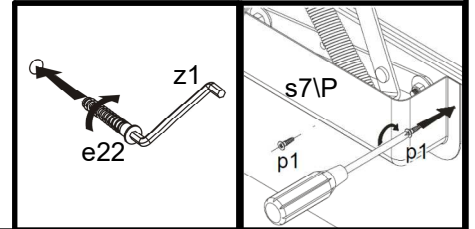
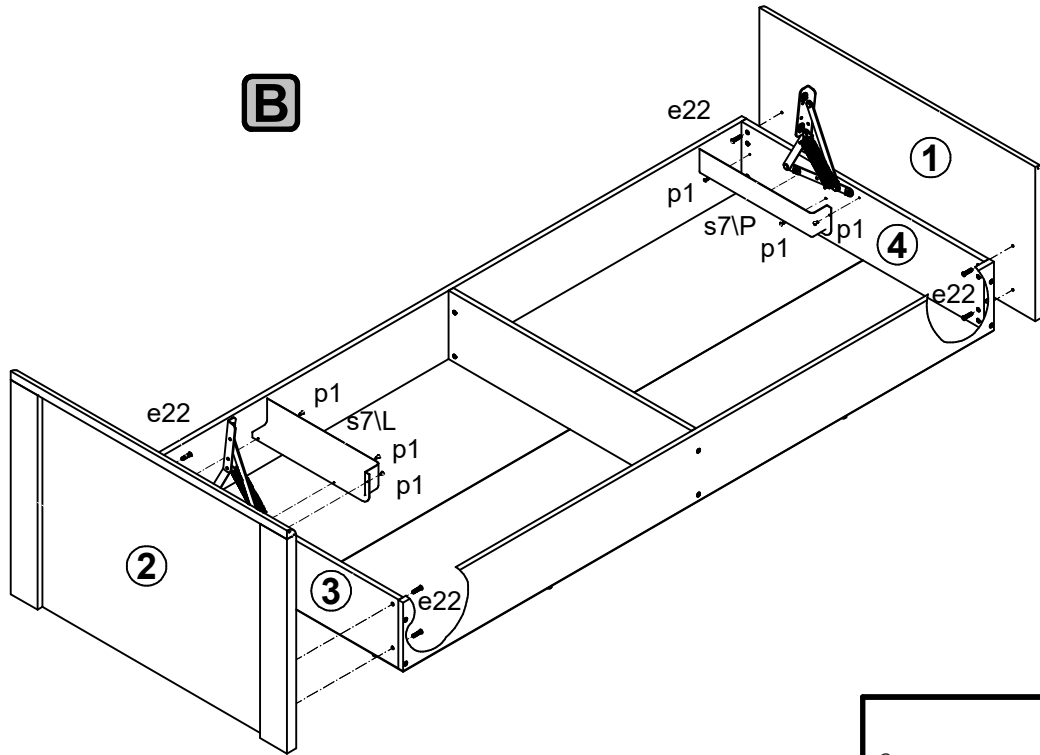
# 3



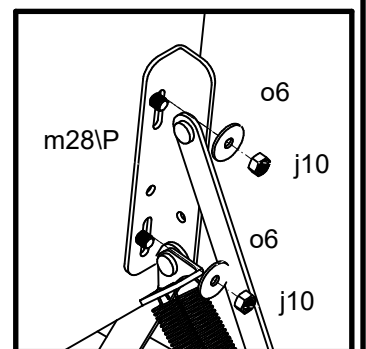
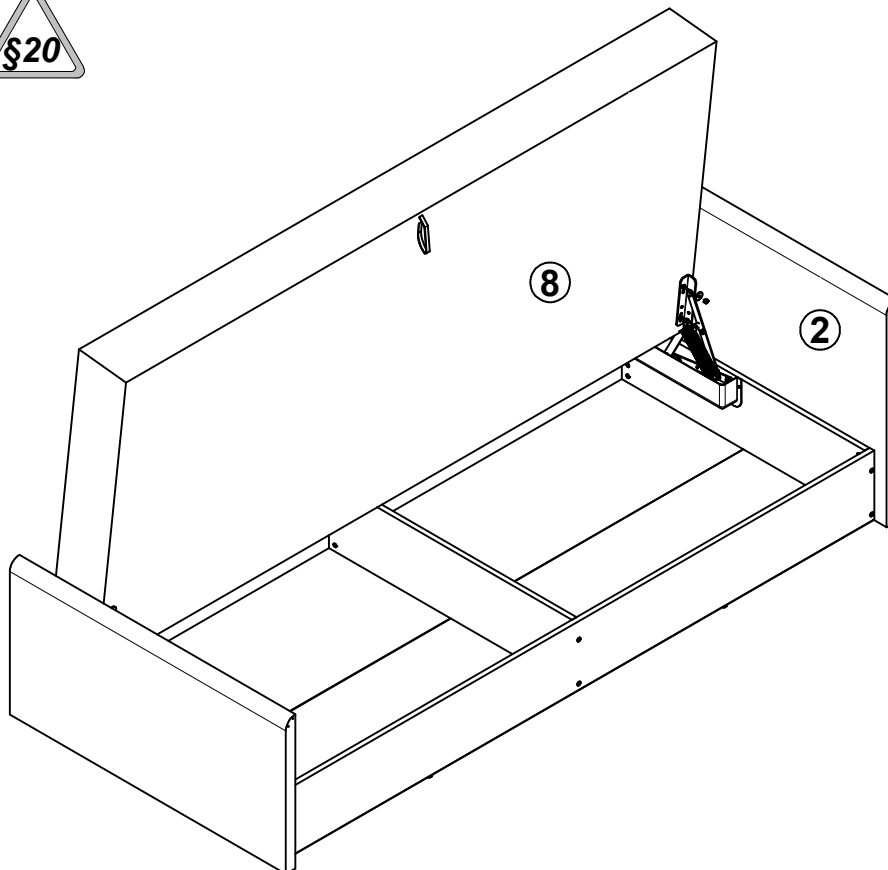
# 4



# 5



# 6



# 7

