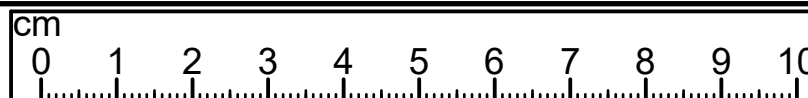
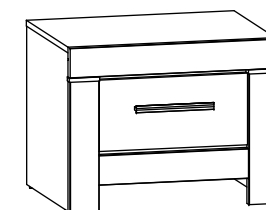
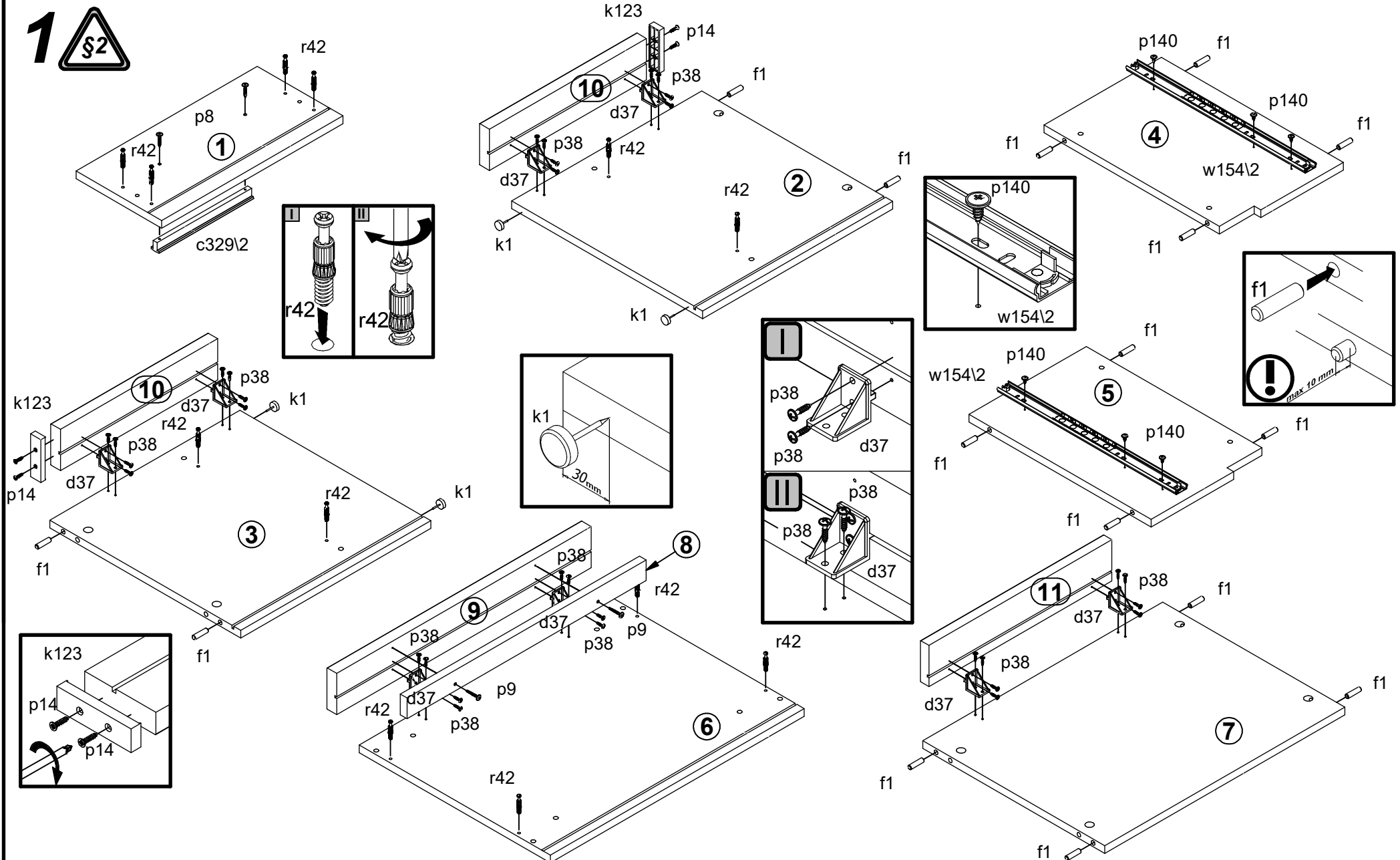


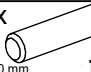




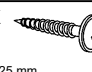

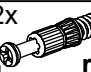



A	B	C (mm)			D
1	S365-0020	406	192	15	1/1
2	S365-1026	426	428	15	1/1
3	S365-1027	426	428	15	1/1
4	S365-1028	263	408	15	1/1
5	S365-1029	263	408	15	1/1
6	S365-2007	569	428	15	1/1
7	S365-3017	538	408	15	1/1
8	S365-4008	536	40	15	1/1
9	S365-5035	570	80	22	1/1
10	S365-5036	352	80	22	1/1
11	S365-5037	410	80	19	1/1
12	S365-9006	362	397	2,5	1/1
13	S365-9007	548	280	2,5	1/1
14	ZK1-513	400	120	12	1/1
15	ZK1-514	400	120	12	1/1
16	ZS1-6578	352	120	15	1/1

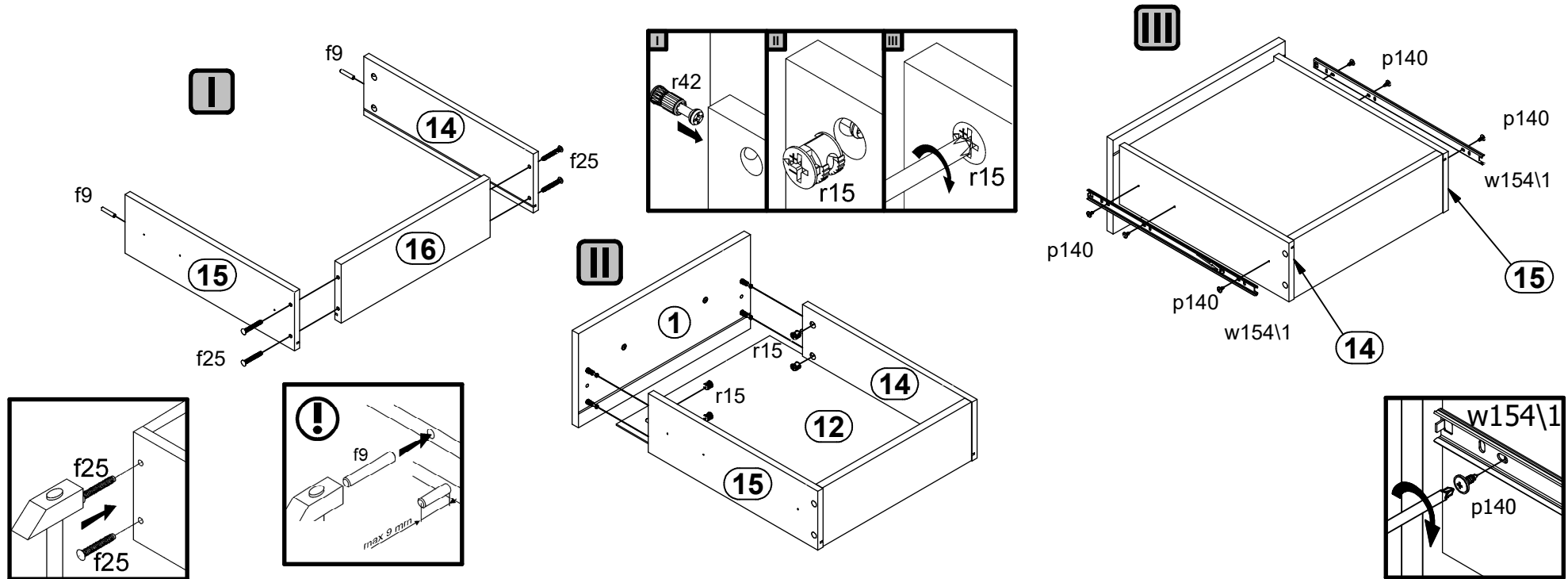







1x L212 mm c329\2	8x d37	16x Ø8x30 mm f1	4x Ø6,5x40 mm f25	2x Ø6x30 mm f9	4x k1	2x k123	5x 1,4x20 mm l1	3x l2	4x Ø3x20 mm p14	12x Ø3,5x12 mm p140	32x Ø3,5x16 mm p38	2x Ø4x25 mm p8
2x Ø4x30 mm p9	8x Ø15x12 mm #16 r1	4x Ø12x10,5 mm #12 r15	12x 20/11 r42	2x 400/670 mm w154\1	2x 400/670 mm w154\2	1x n26\1	1x Ø3,5x16 mm p38					



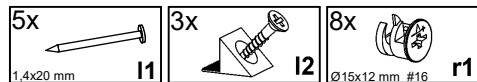
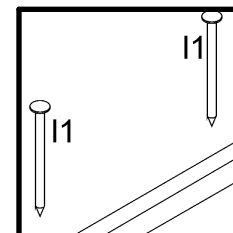
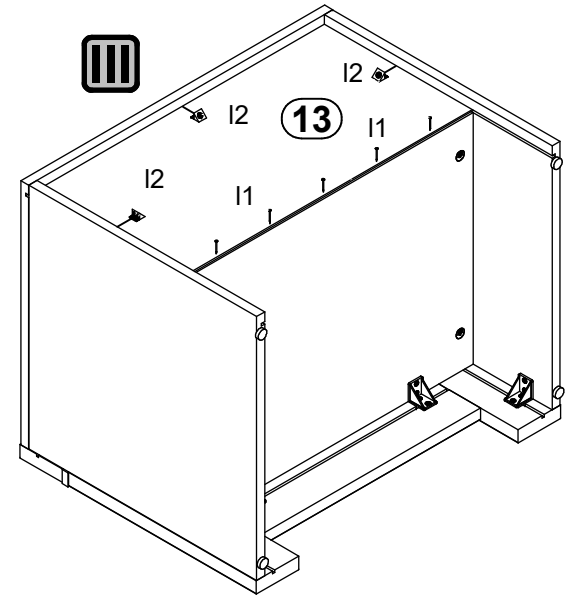
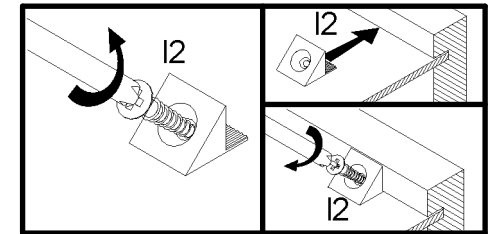
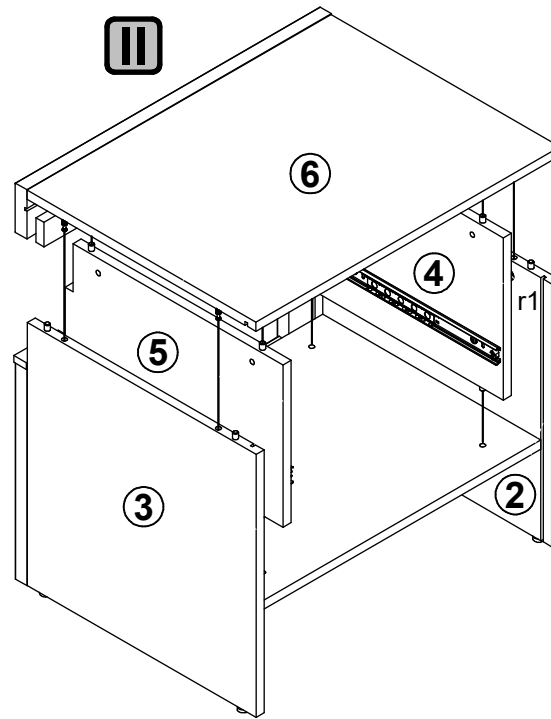
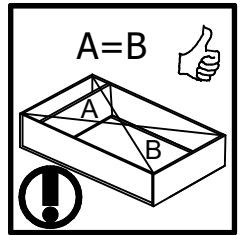
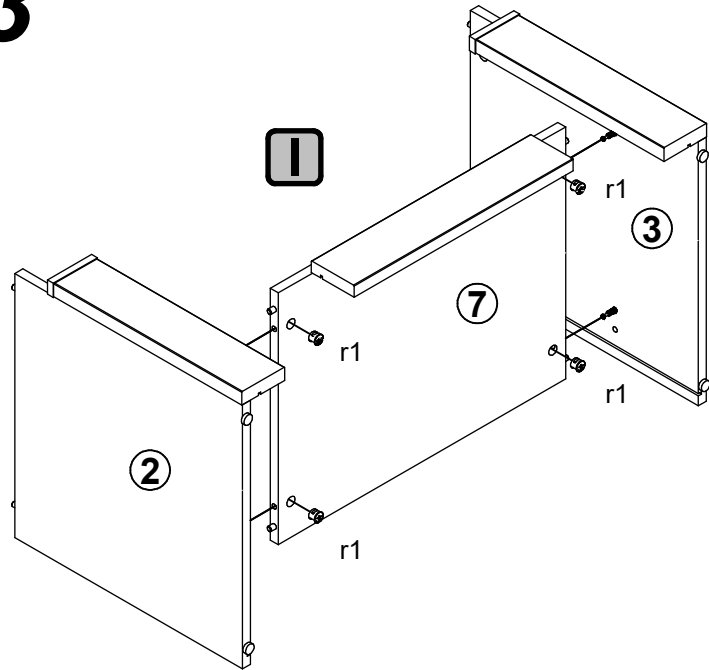
- 1x

c329\2
- 8x

d37
- 16x

Ø8x30 mm
f1
- 4x

k1
- 2x

k123
- 4x

Ø3x20 mm
p14
- 6x

Ø3.5x12 mm
p140
- 2x

Ø4x25 mm
p8
- 2x

Ø4x30 mm
p9
- 12x

20/11
r42
- 2x

400/670 mm
w154\2

2



- 2x  f9 Ø6x30 mm
- 4x  f25 Ø6,5x40 mm
- 6x  p140 Ø3,5x12 mm
- 4x  r15 Ø12x10,5 mm #12
- 2x  w154\1 400/670 mm

3



4

