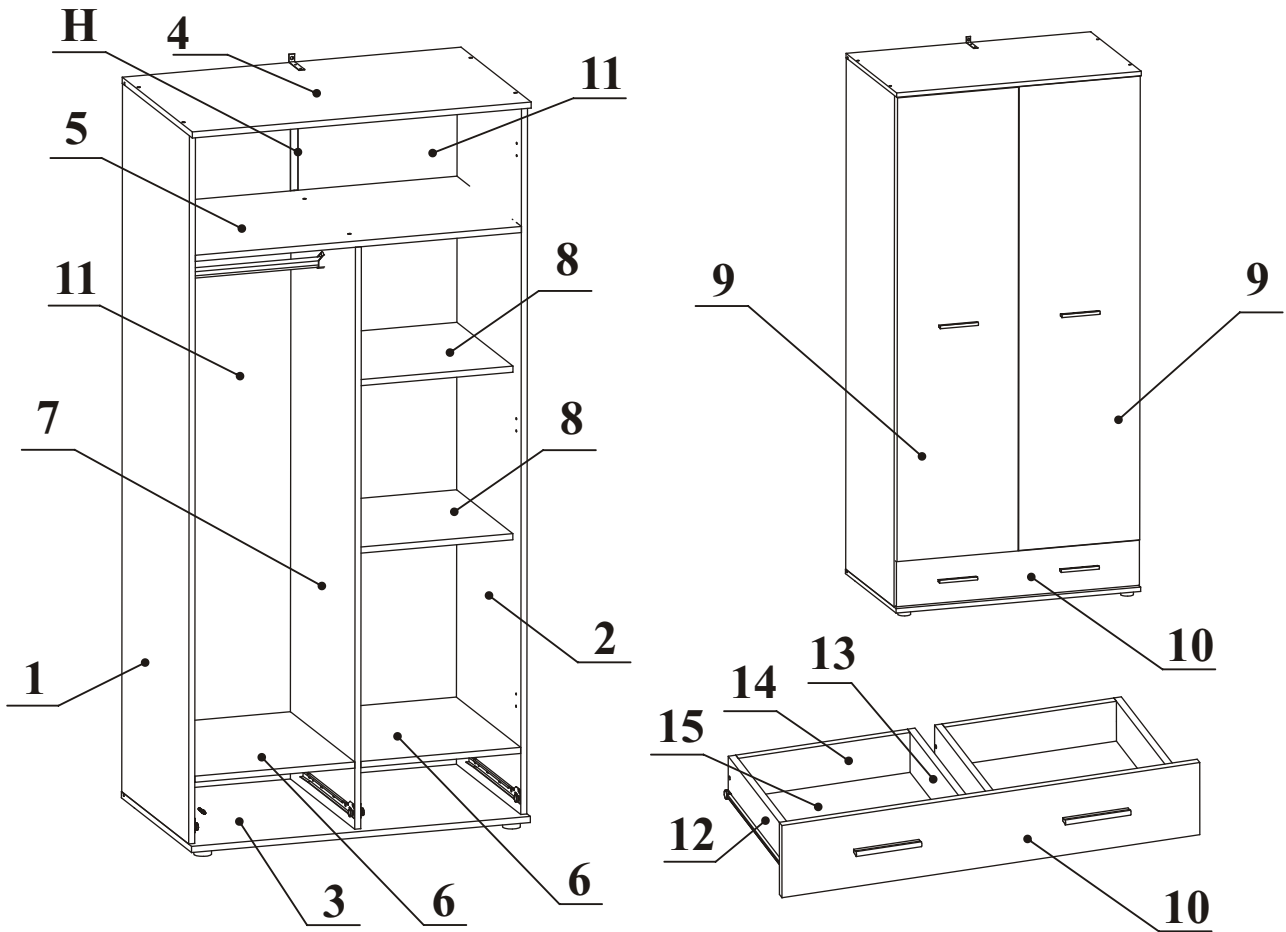
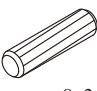
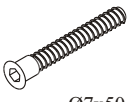

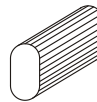



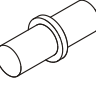

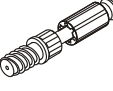


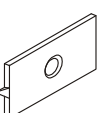
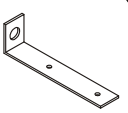
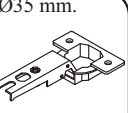
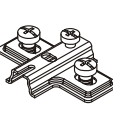
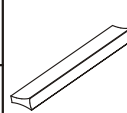
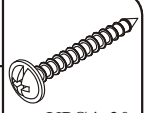


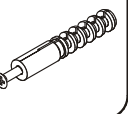
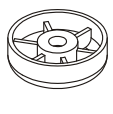
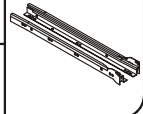
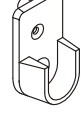

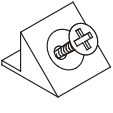
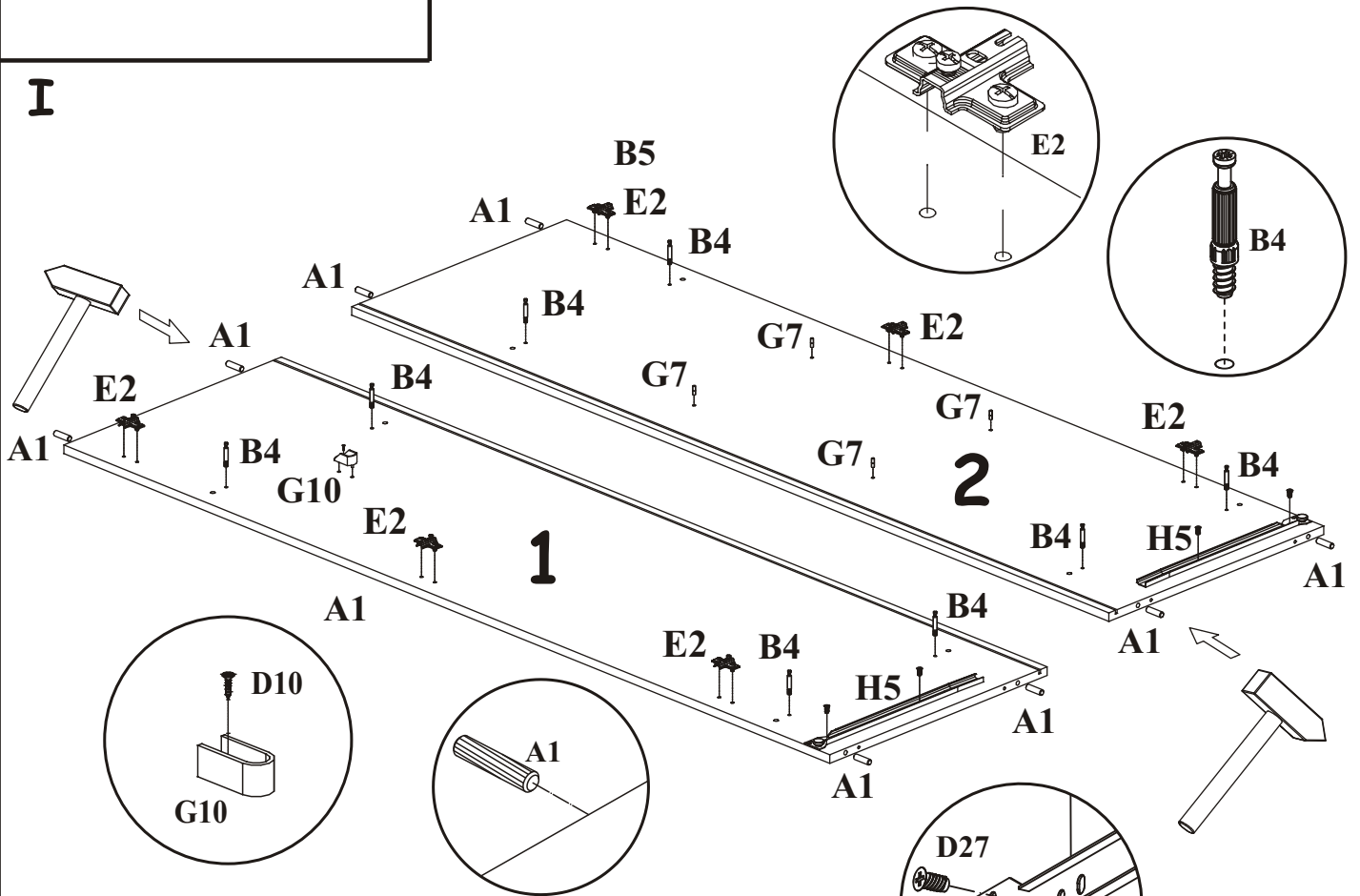


# Emio 2

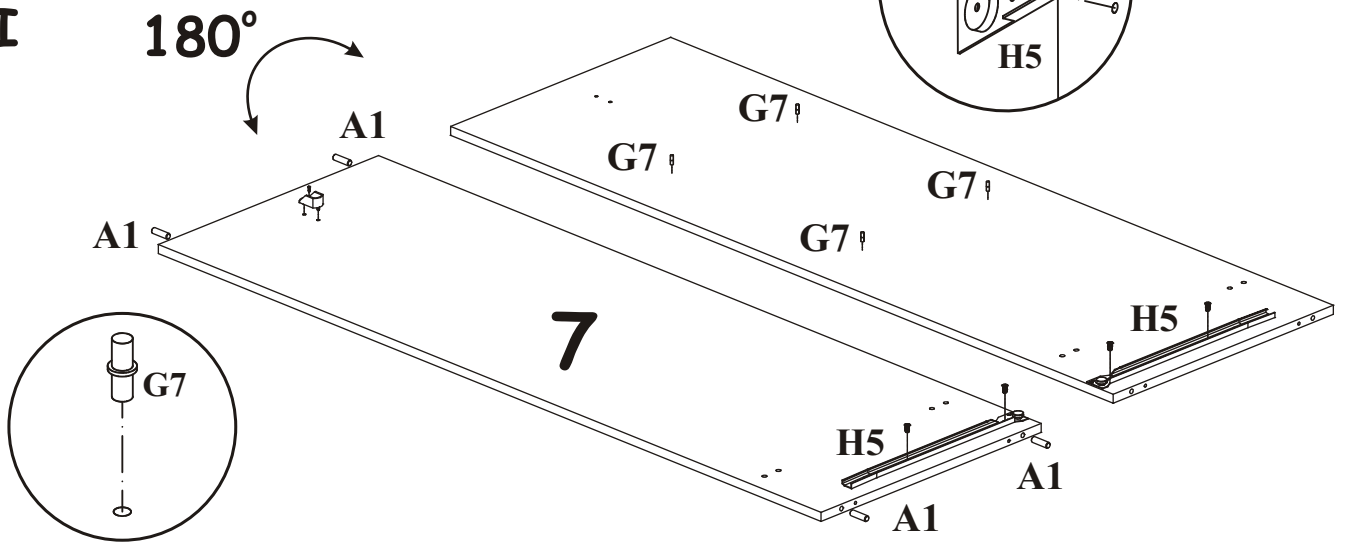


A1 X32	 ø8x36	B11 X16	 Ø7x50	G2 X1		C5 X1		D11 X5	 USØ3,5x25	D27 X8	 EsØ6x8
G5 X12		G7 X8		G4 X16		B4 X12		B6 X2	 Ø7x78	B5 X16	 ø15x12
G16 X11		L1 X1		E1 X6	 Ø35 mm. H=0	E2 X6	 H=0	V X4		UP6 X8	 UPØ4x30
D9 X5	 USØ 3,5x20	D10 X41	 USØ3,5x16	KR1 X1		I11 X5		H5 X2		G10 X2	
								B3 X30	 Ø1,4x25	S1 X14	

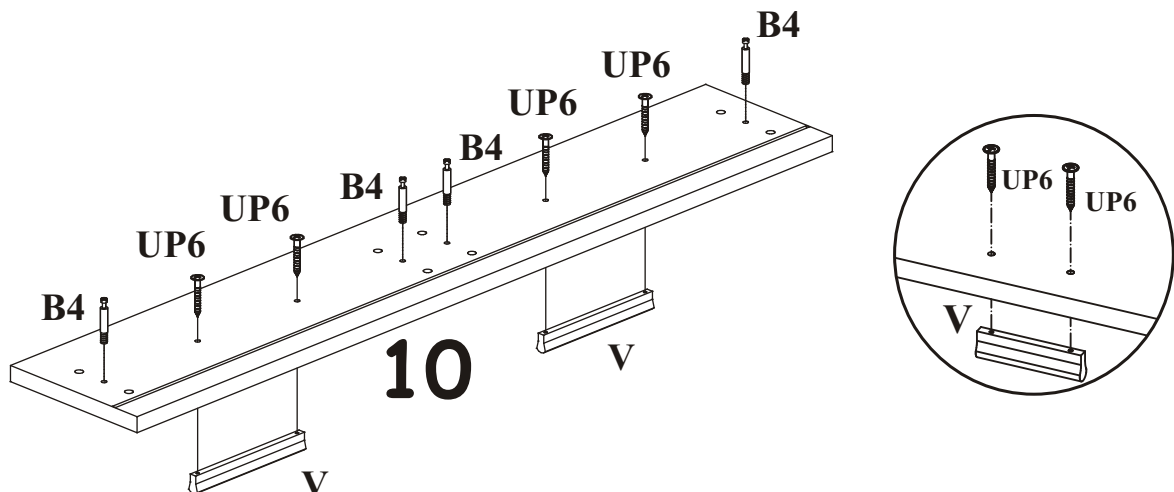
**I**



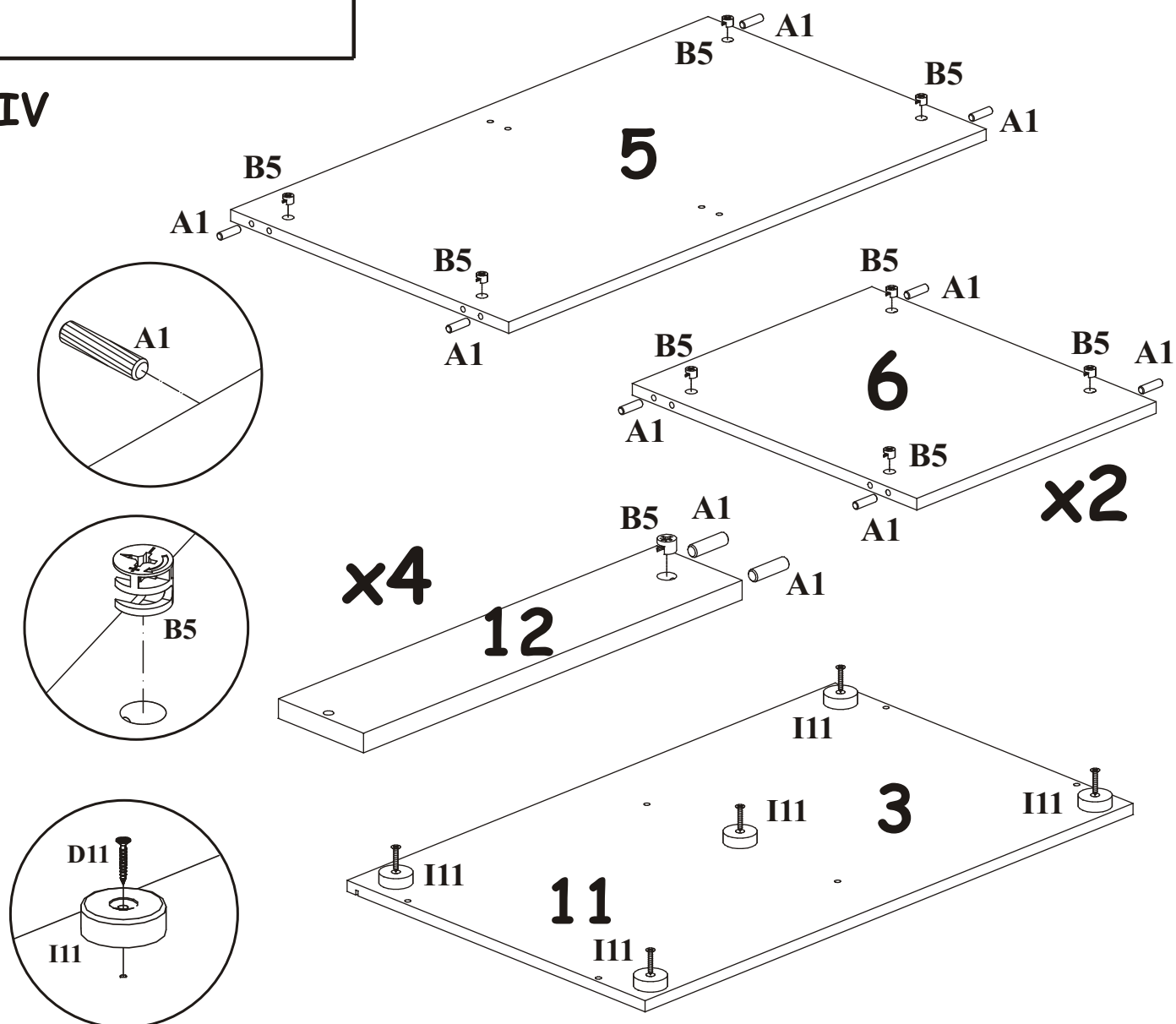
**II**



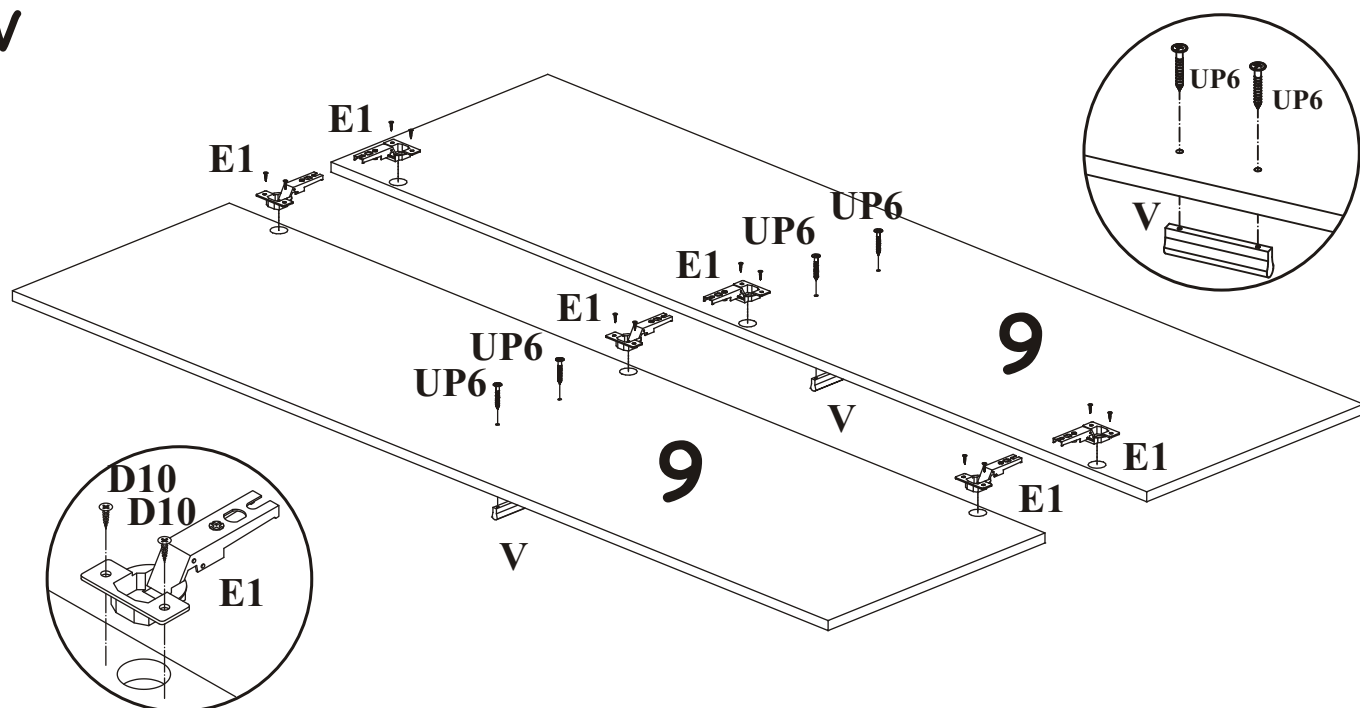
**III**



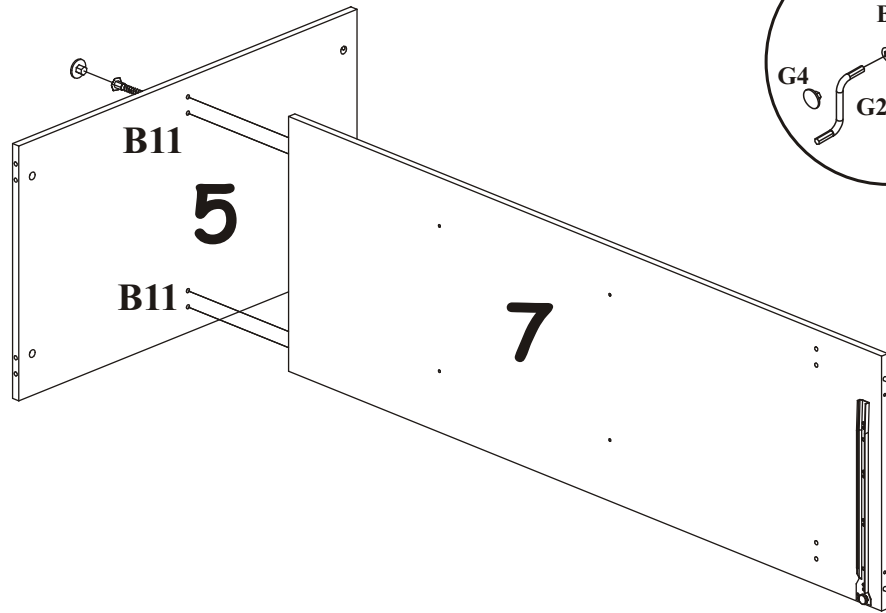
# IV



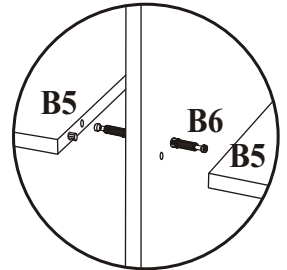
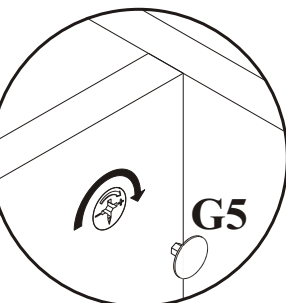
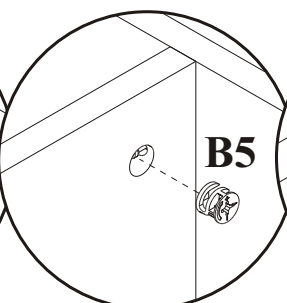
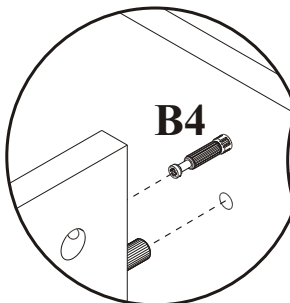
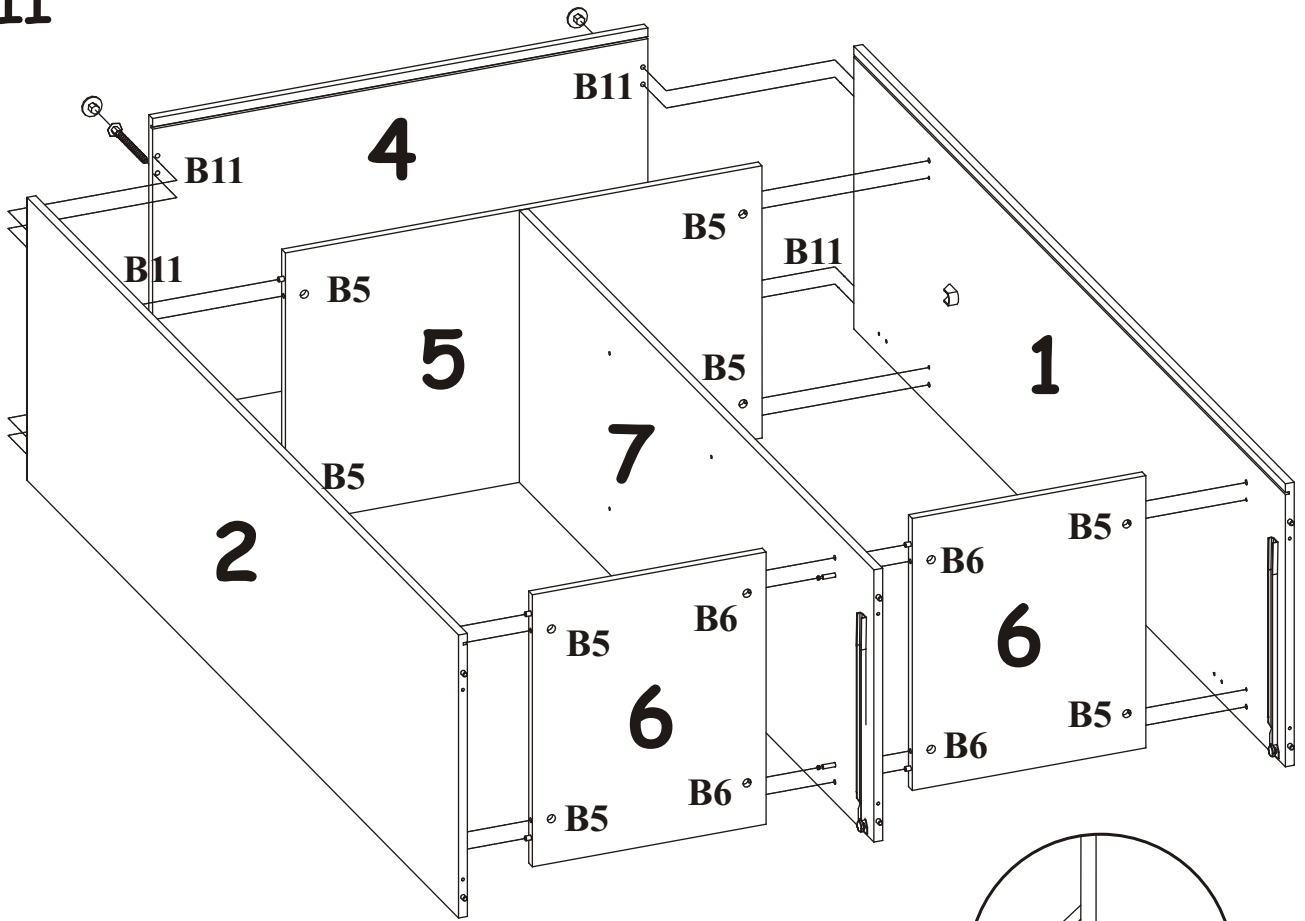
# V



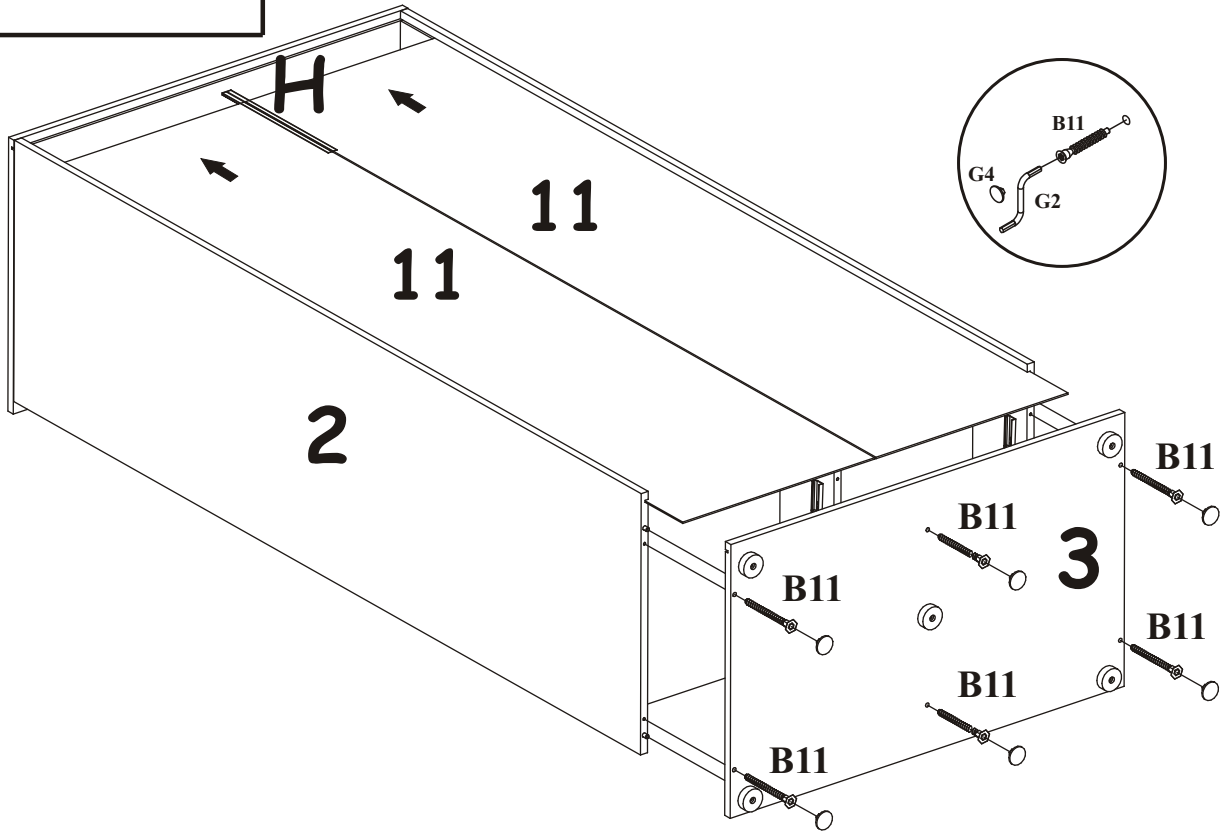
# VI



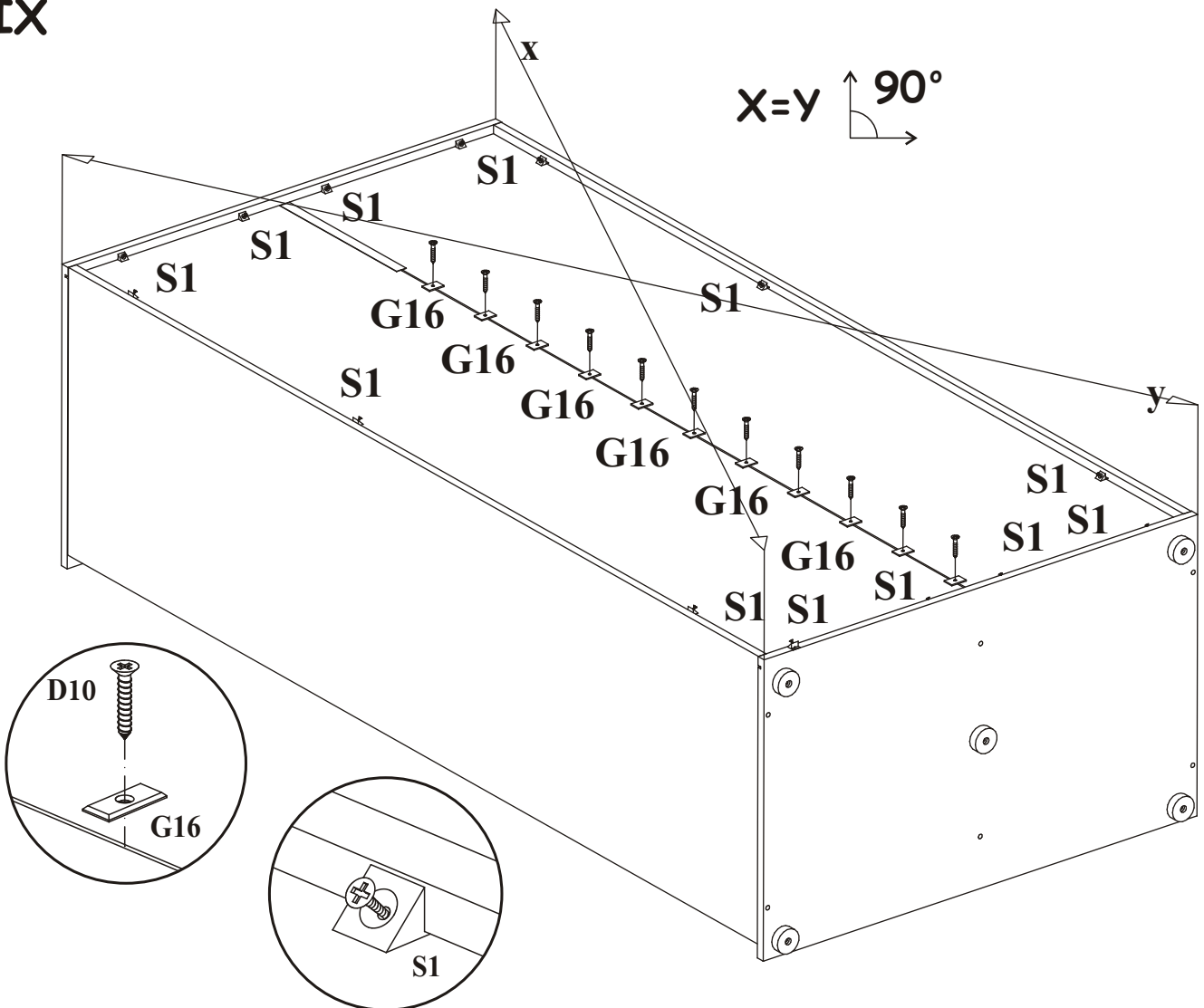
# VII

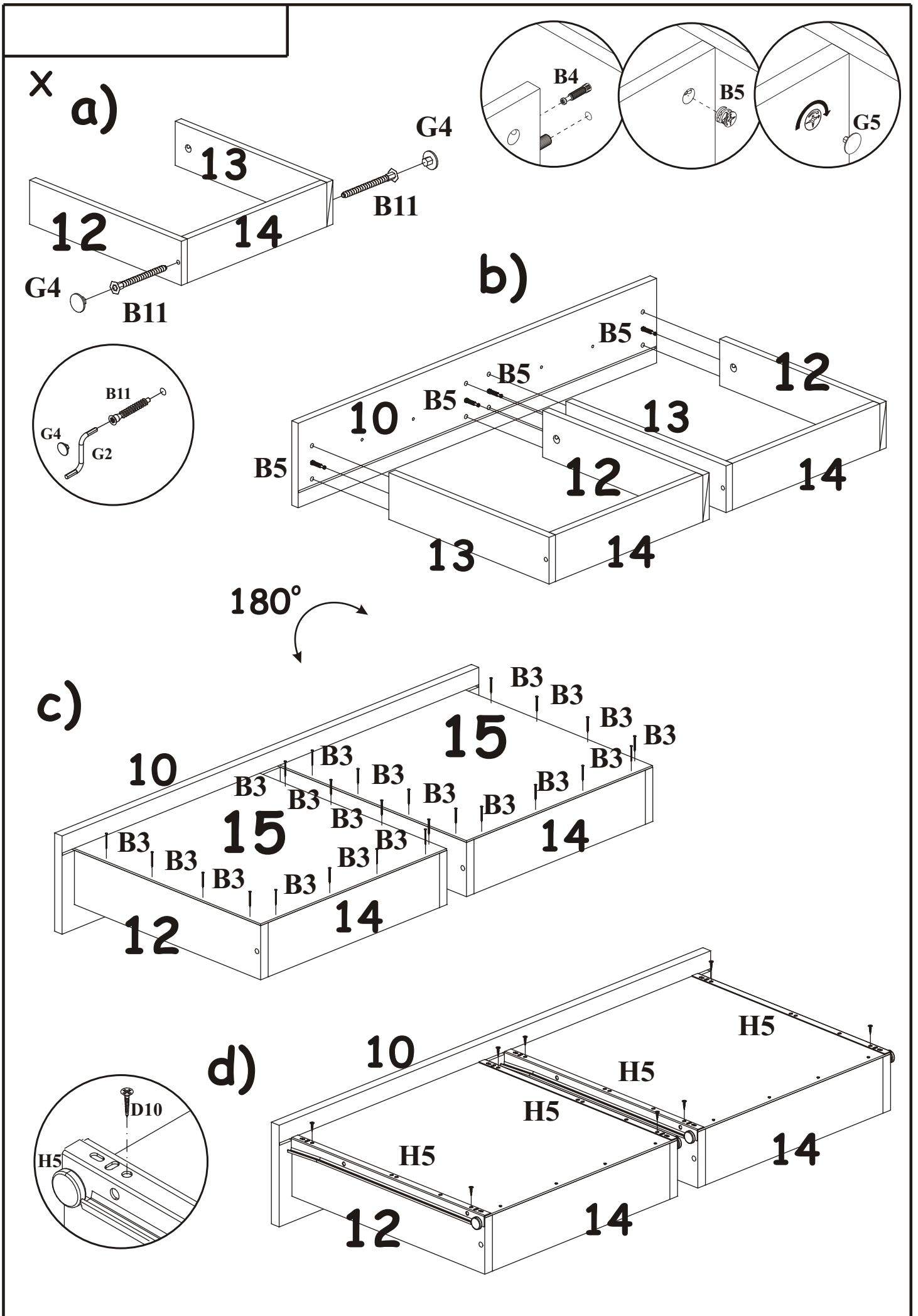


# VIII



# IX





**XI**

