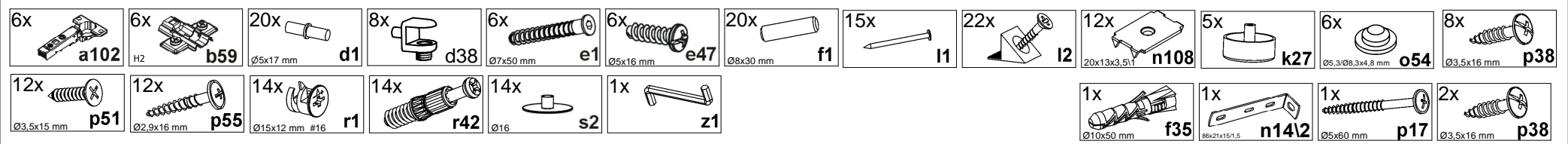
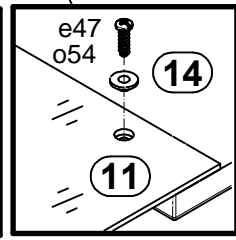
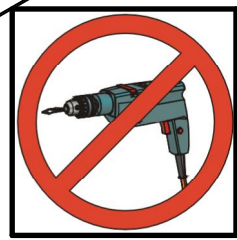
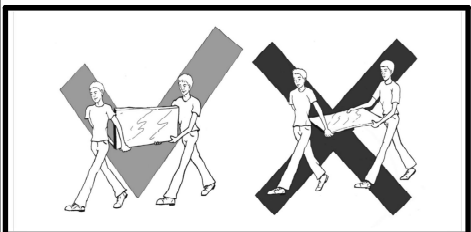
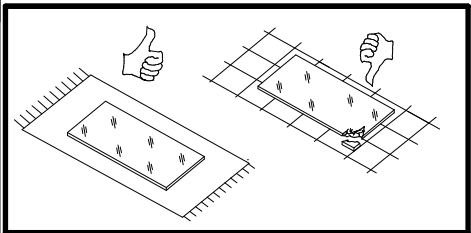
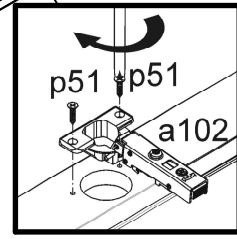
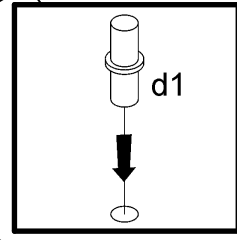
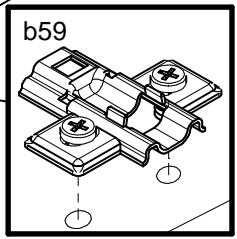
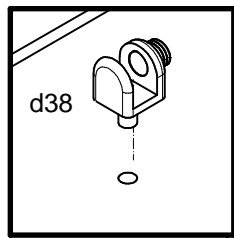
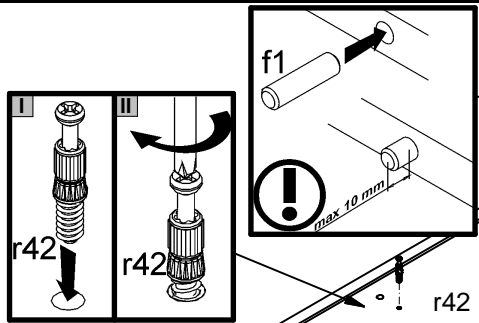
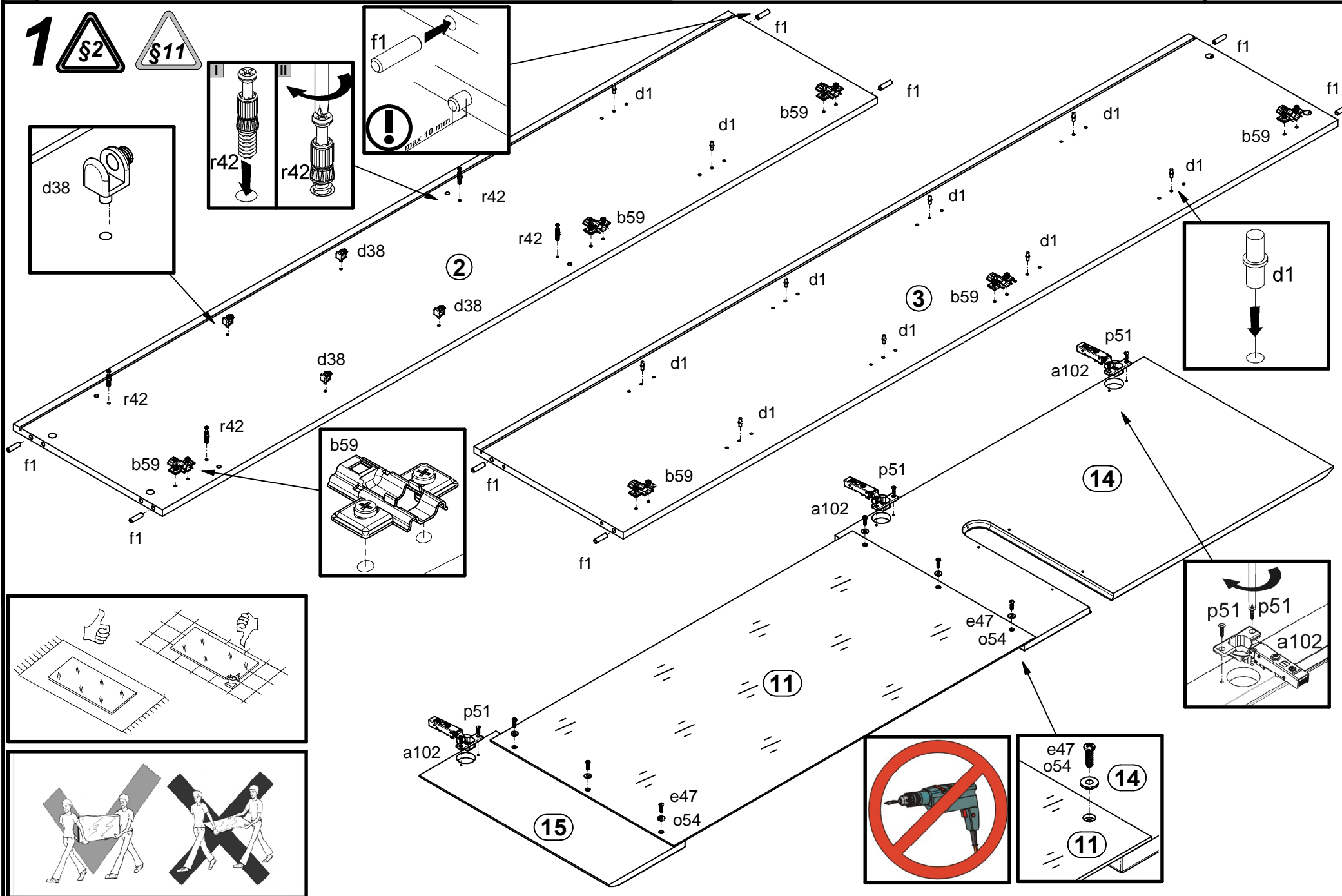
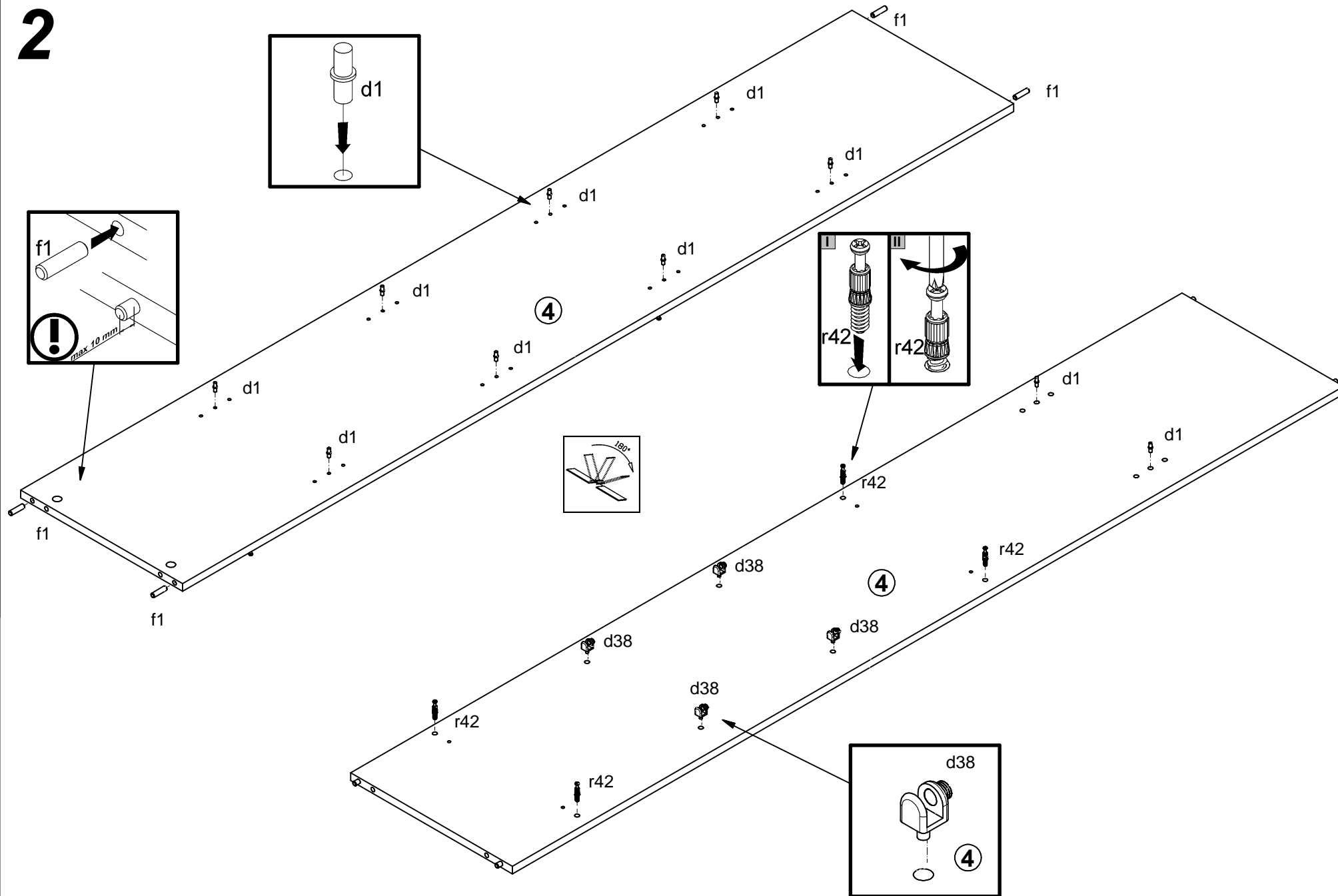


A	B	C1	C2	C3	D
1	S504-0028	1896,	396	16	3/3
2	S504-1037	1870	390	15	2/3
3	S504-1038	1870	390	15	2/3
4	S504-1039	1870	364,	15	2/3
5	S504-2021	900	390	15	1/3
6	S504-2022	900	390	15	1/3
7	S504-3006	476	360	15	1/3
8	S504-3008	470	340	4	1/3
9	S504-3014	477	360	15	1/3
10	S504-3015	376	360	15	1/3
11	S504-5553	947	480	3,	3/3
12	S504-5703	370	100	6,	3/3
13	S504-5711	270	100	6,	3/3
14	S504-7316	809,	496	16	3/3
15	S504-7318	200	496	16	3/3
16	S504-9005	1880	390	2,5	2/3
17	S504-9306	1880	489,	2,5	2/3
18	qc33\2				1/3
19	S504-7353	270	100	6,	3/3
20	S504-7354	370	100	6,	3/3

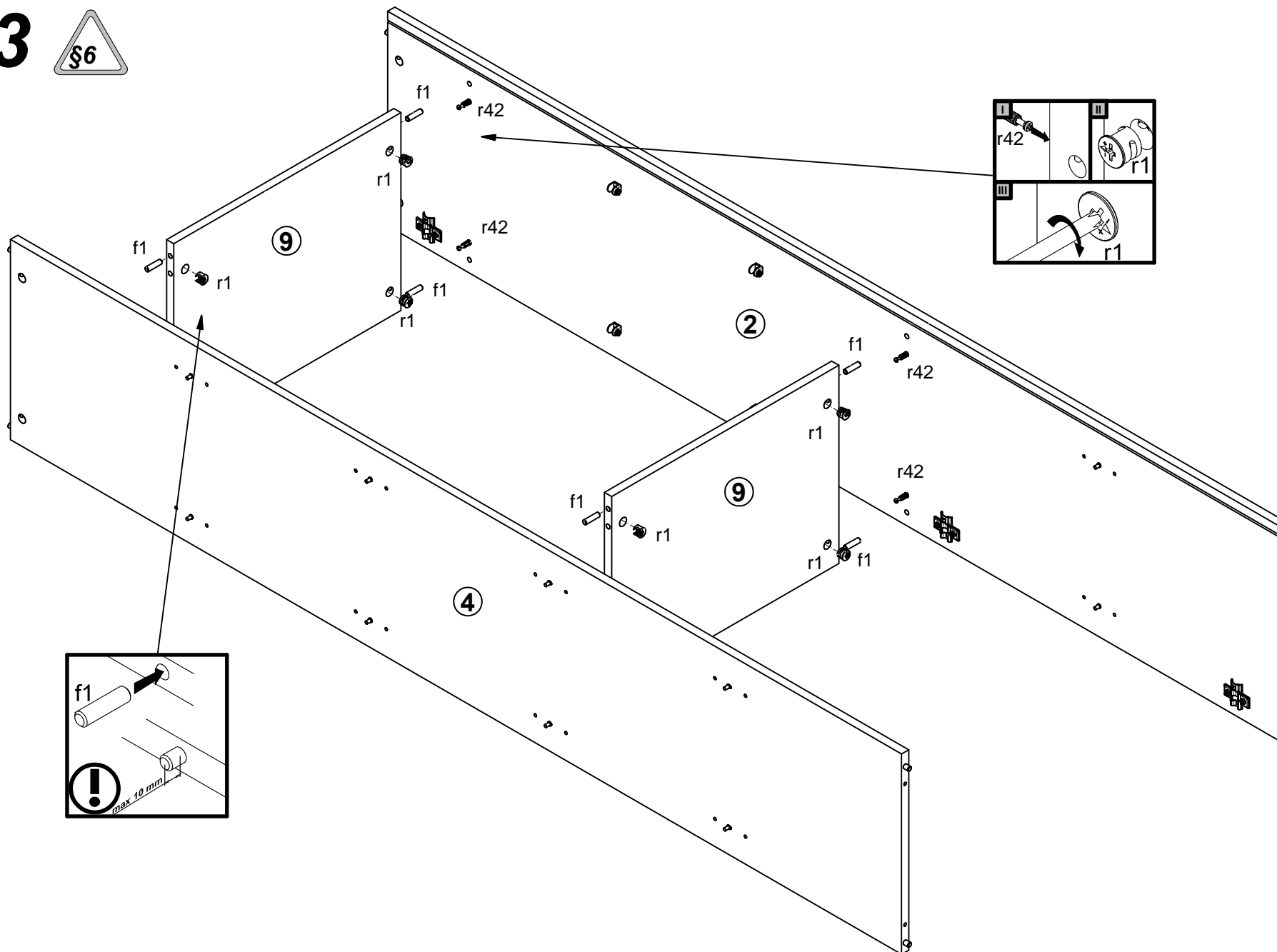




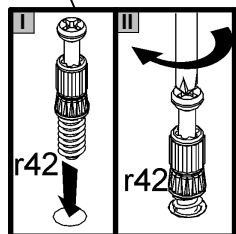
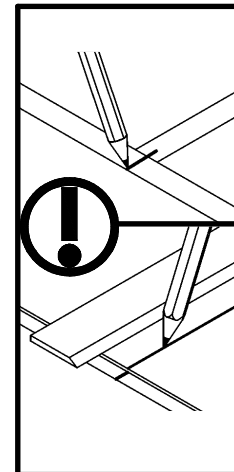
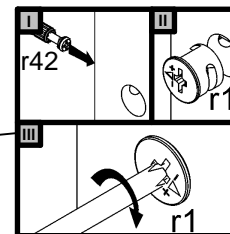
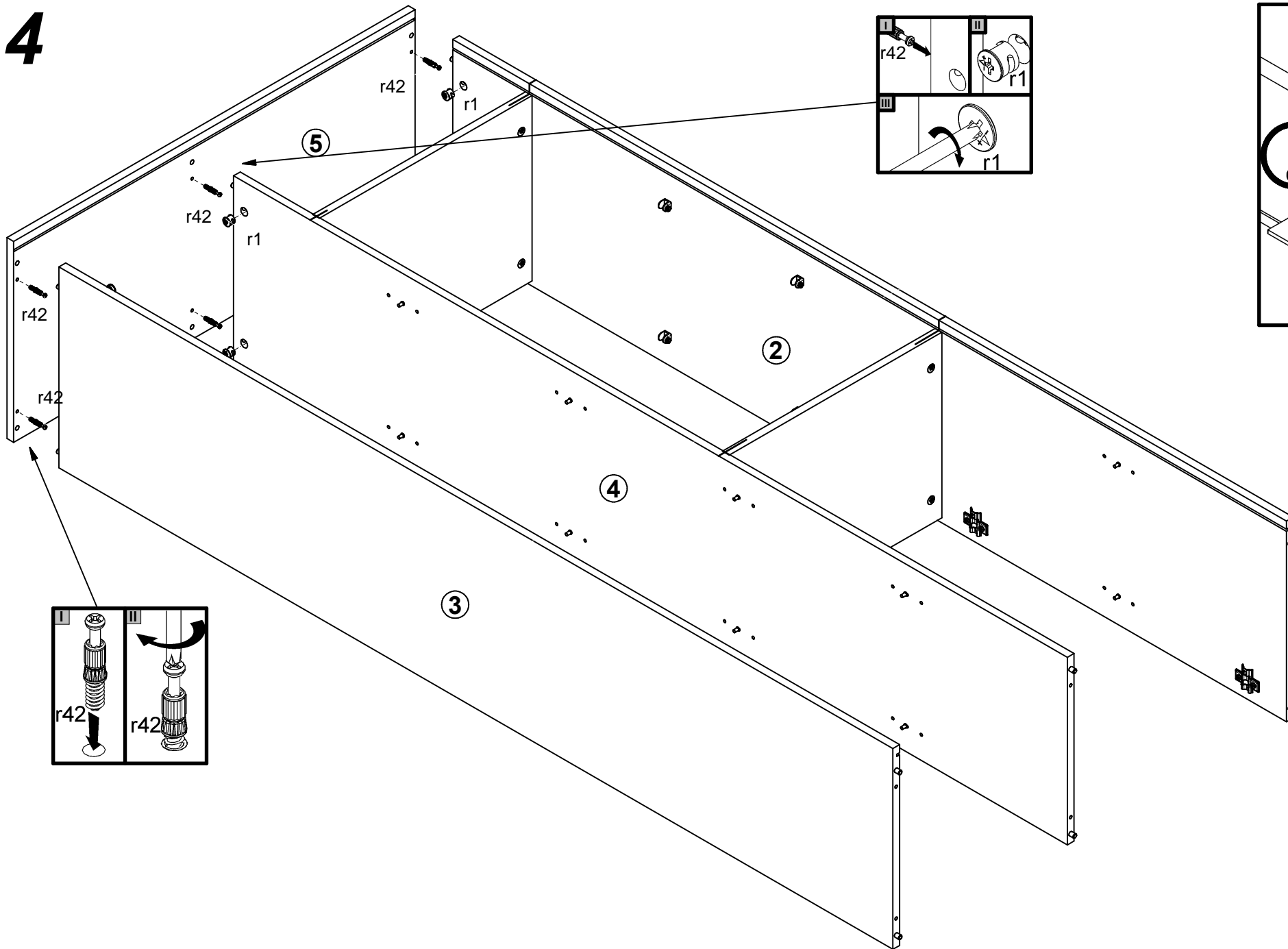
2



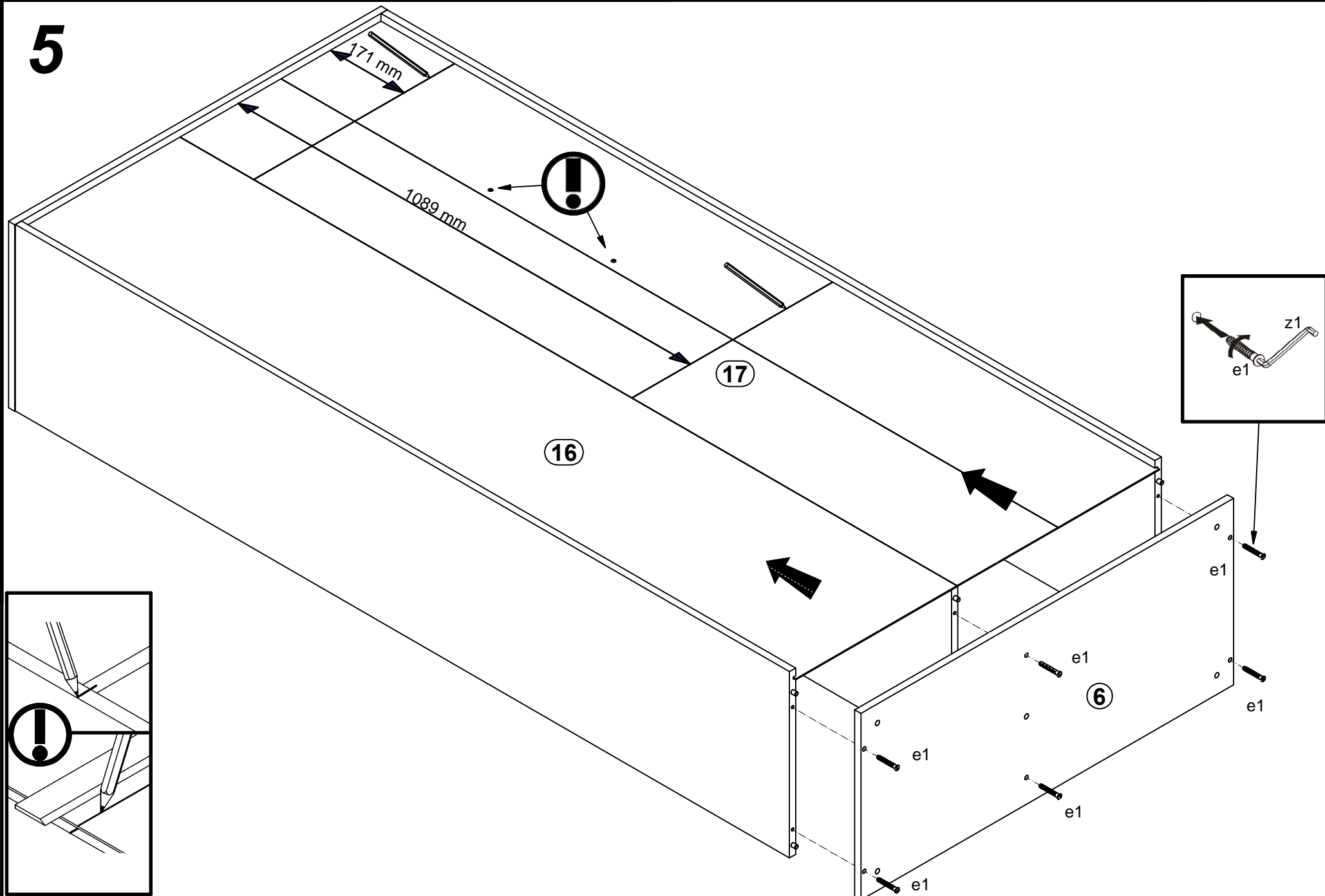
3



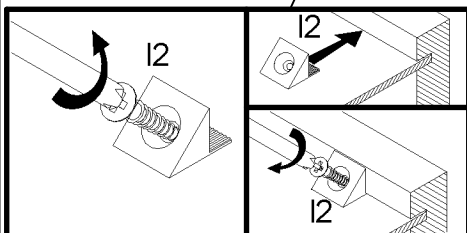
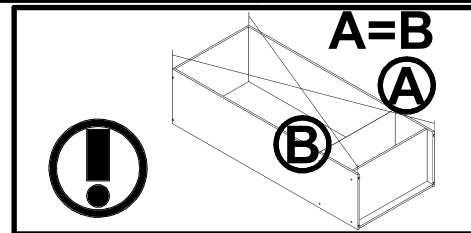
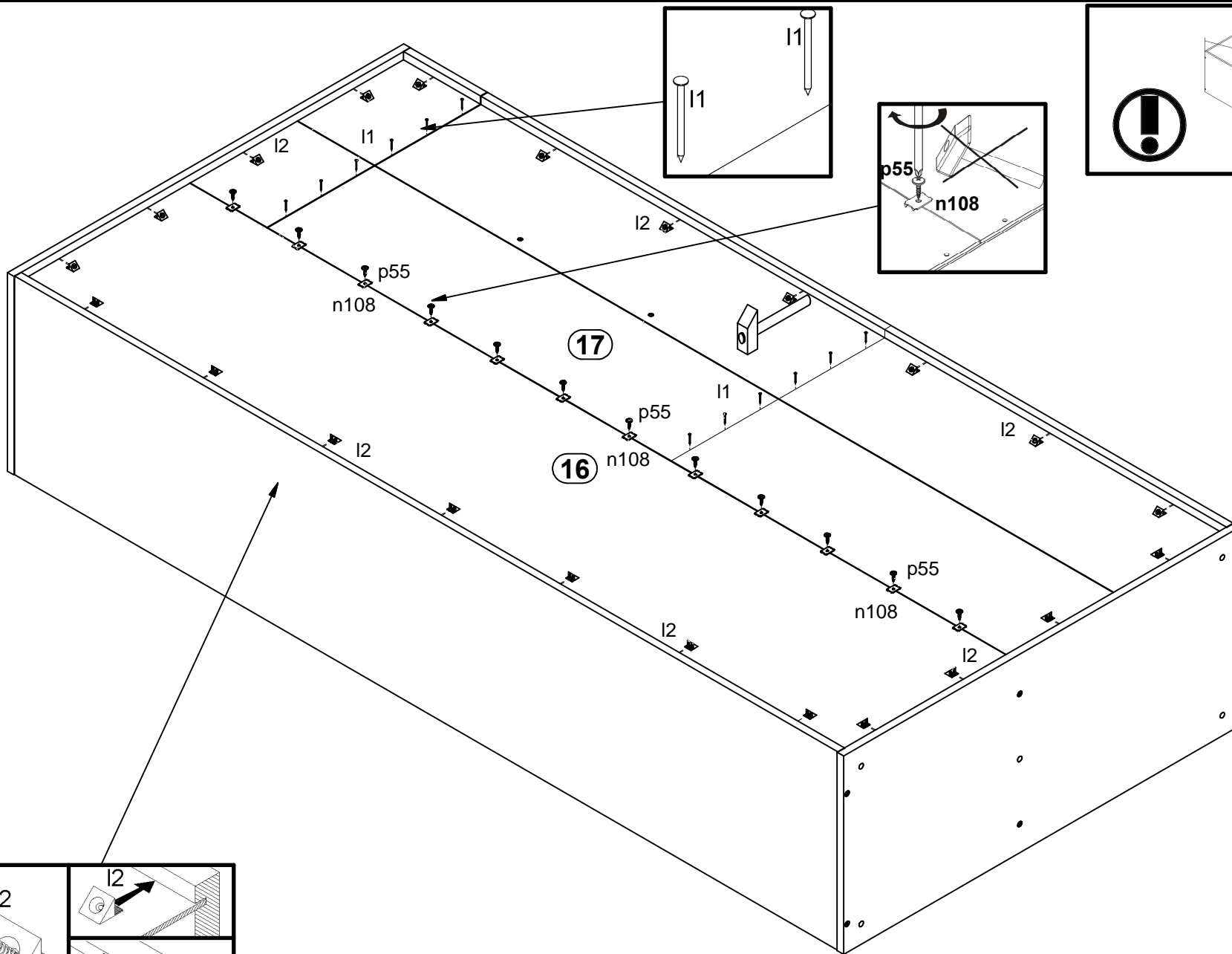
4



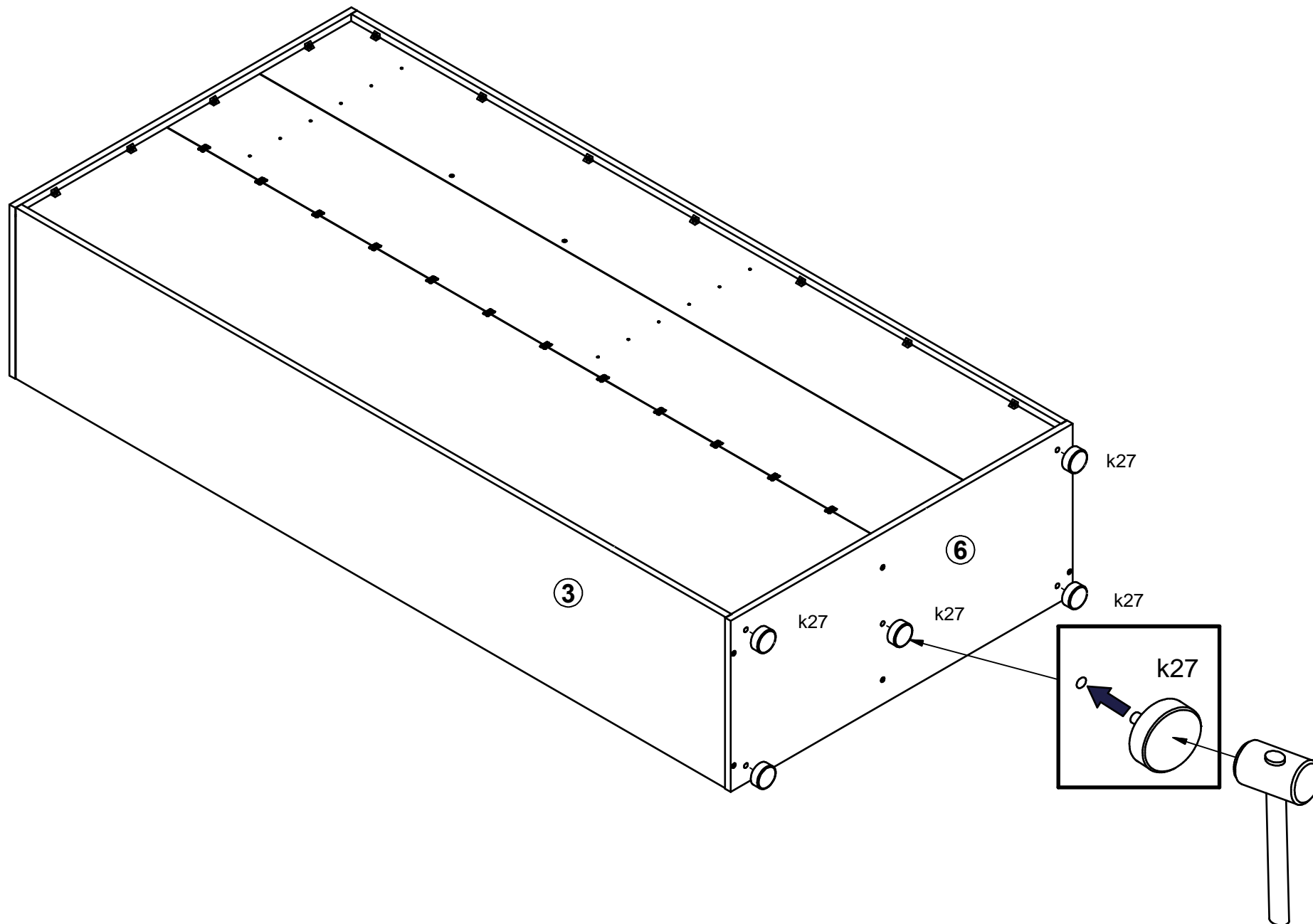
5



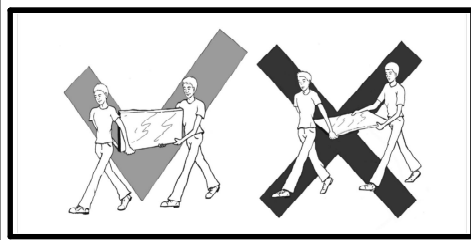
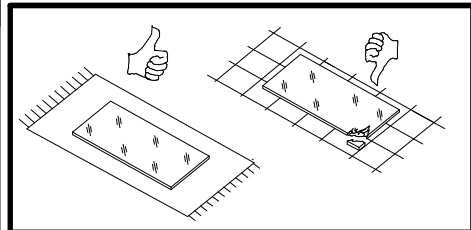
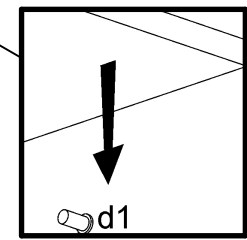
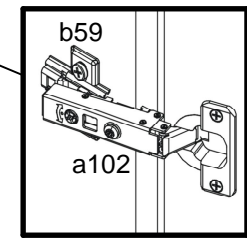
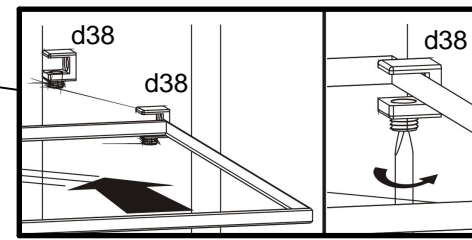
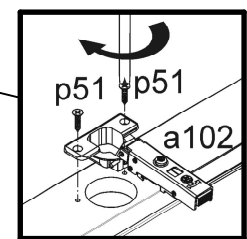
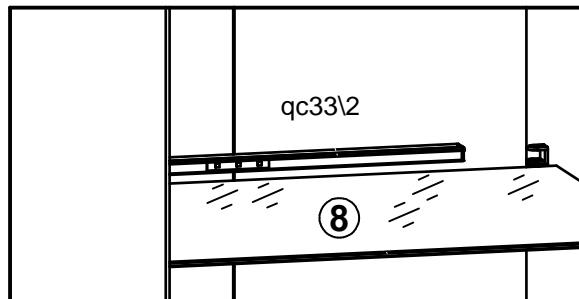
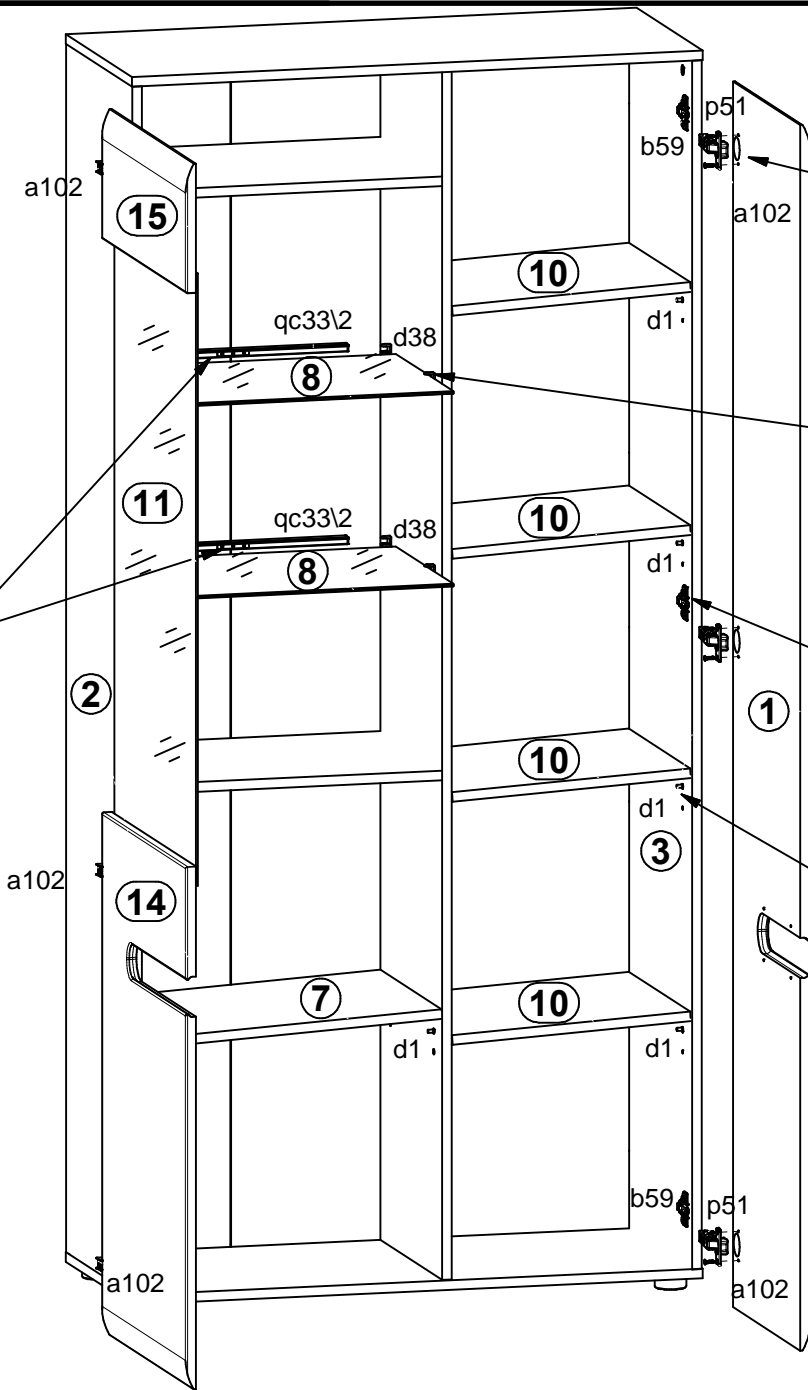
6



7



8



9

