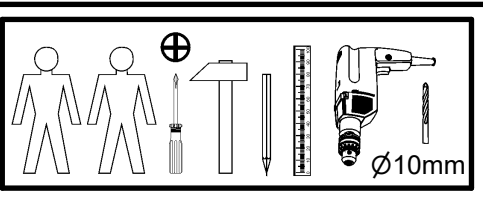
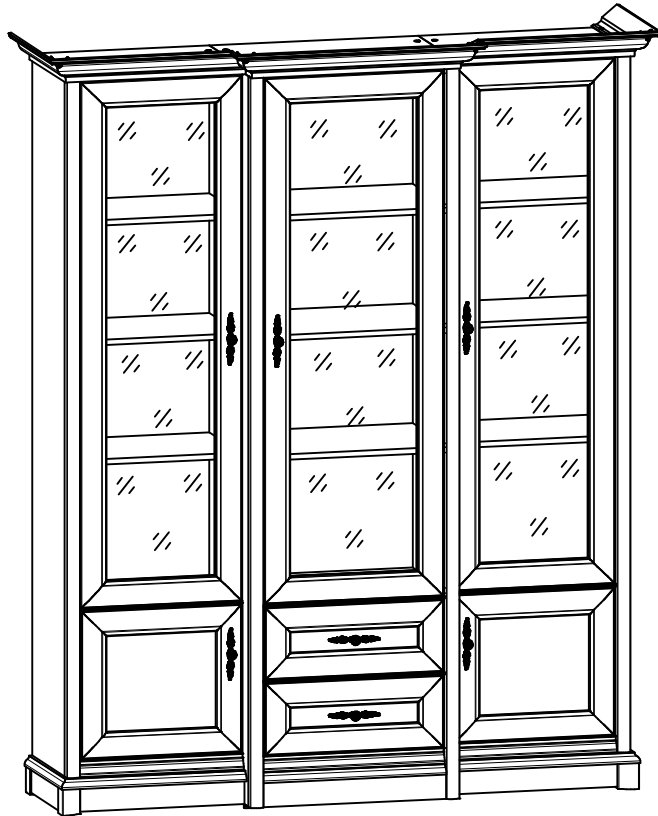
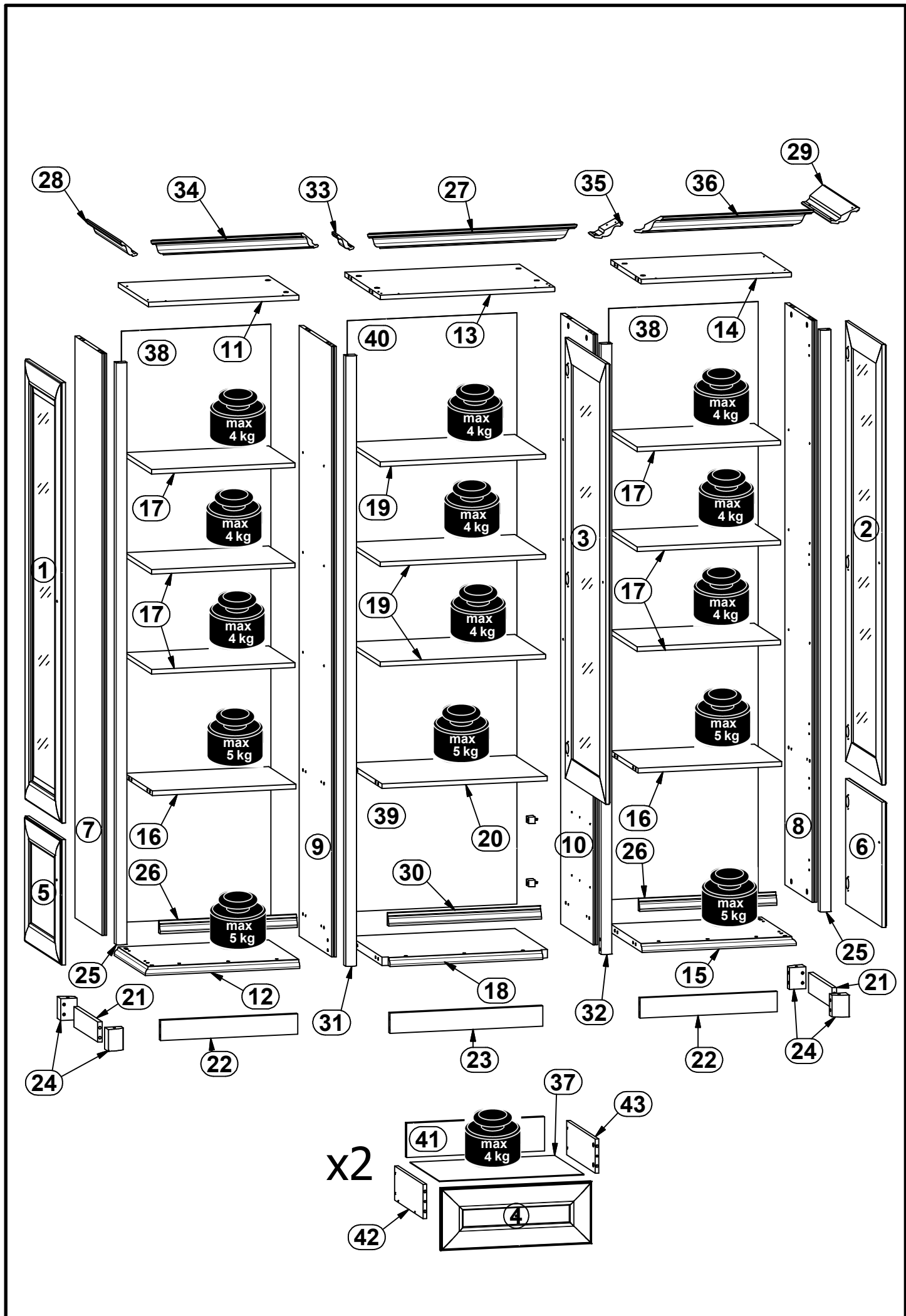


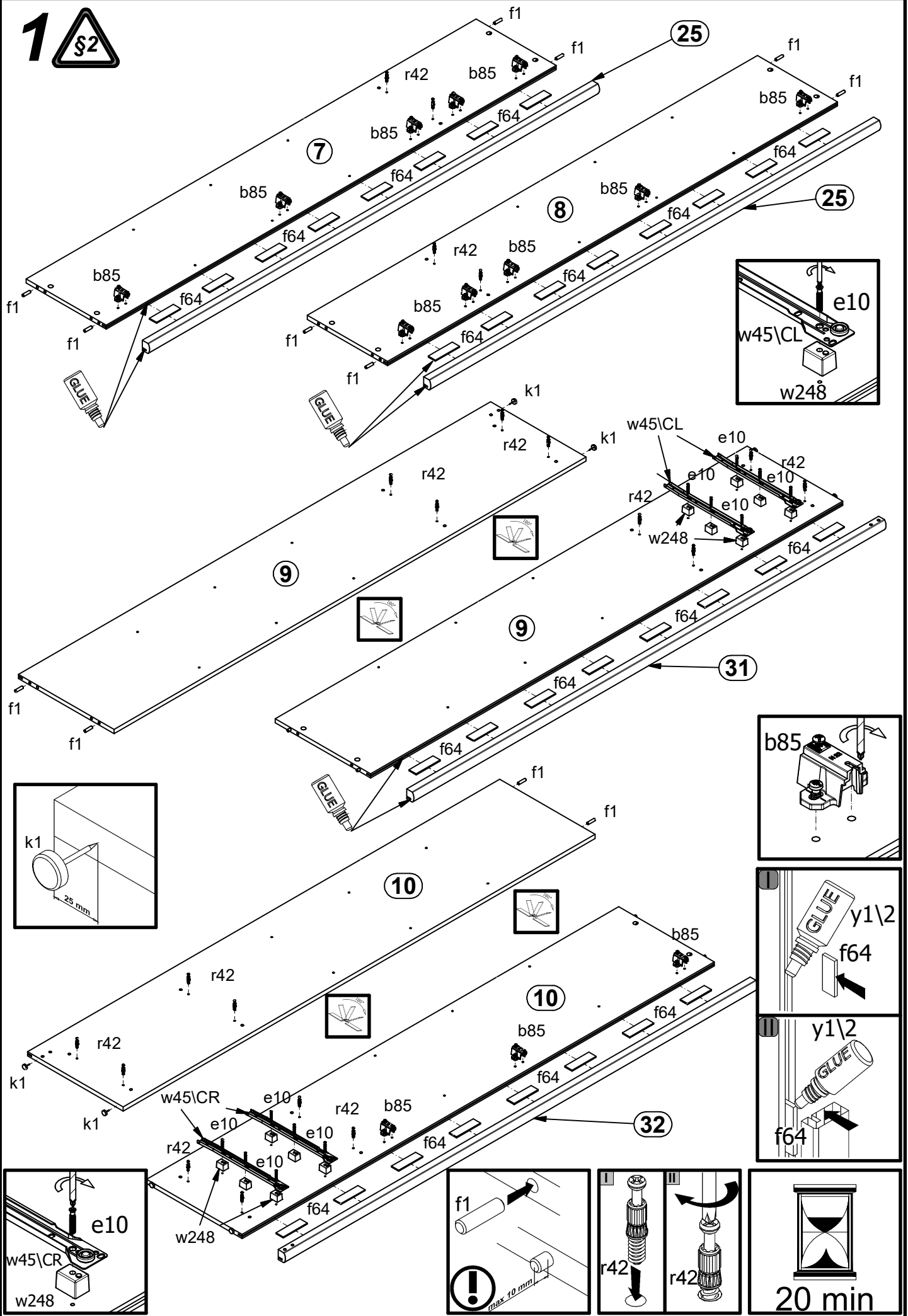
A	B	C	D	A	B	C	D	A	B	C	D	A	B	C	D
1	S447-0014	1416	445	4/5	15	S447-2025	506	380	3/5	29	S447-5048	427	92,5	3/5	
2	S447-0015	1416	445	4/5	16	S447-3013	470,5	332	1/5	30	S447-5049	501	40	3/5	
3	S447-0018	1416	495	4/5	17	S447-3014	470	322	1/5	31	S447-5050	1962	36	2/5	
4	S447-0020	495	200	5/5	18	S447-3015	542	419	3/5	32	S447-5051	1962	36	2/5	
5	S447-0022	403	445	5/5	19	S447-3016	542	376	2/5	33	S447-5055	140	92,5	3/5	
6	S447-0023	403	445	5/5	20	S447-3017	542	396	3/5	34	S447-5056	569	92,5	3/5	
7	S447-1025	1870	333	1/5	21	S447-4006	288	65	3/5	35	S447-5057	140	92,5	3/5	
8	S447-1026	1870	333	1/5	22	S447-4011	450	65	3/5	36	S447-5058	569	92,5	3/5	
9	S447-1027	1962	397	2/5	23	S447-4013	501	65	3/5	37	S447-9015	474	357	3/5	
10	S447-1028	1962	397	2/5	24	S447-5003	70	54	3/5	38	S447-9020	1900	490	2/5	
11	S447-2021	493	370	3/5	25	S447-5014	1870	36	1/5	39	S447-9021	469	556	5/5	
12	S447-2022	506	380	3/5	26	S447-5045	450	40	3/5	40	S447-9022	1431	556	4/5	
13	S447-2023	572	434	3/5	27	S447-5046	686,5	92,5	3/5	41	ZS7-5039	452	110	3/5	
14	S447-2024	493	370	3/5	28	S447-5047	427	92,5	3/5	42	ZS7-521	350	110	3/5	
										43	ZS7-522	350	110	3/5	



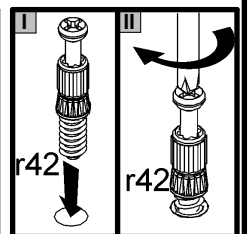
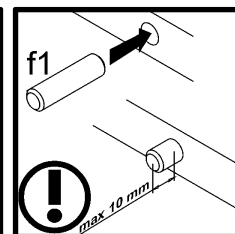
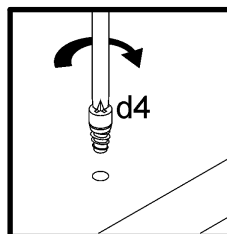
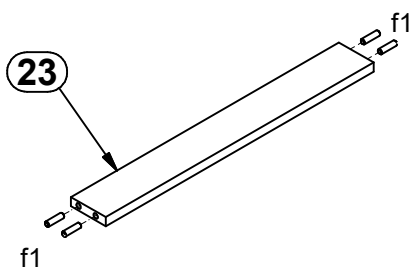
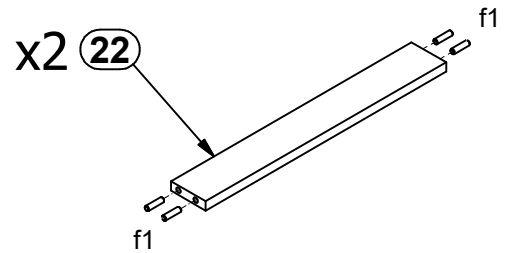
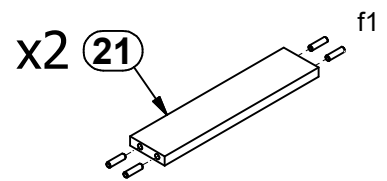
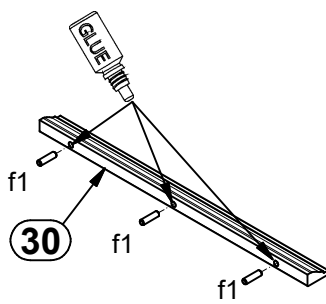
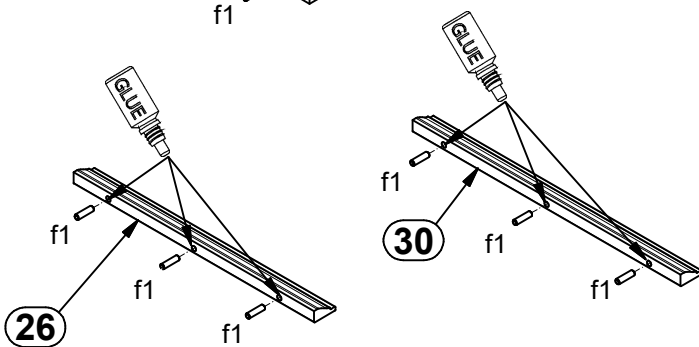
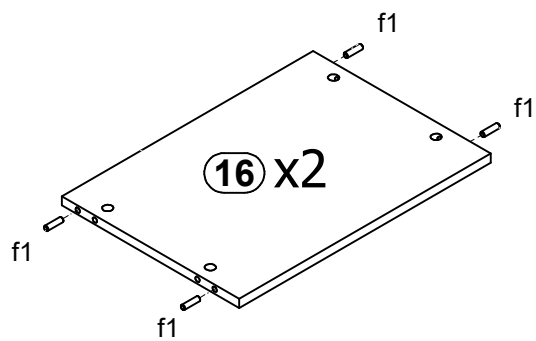
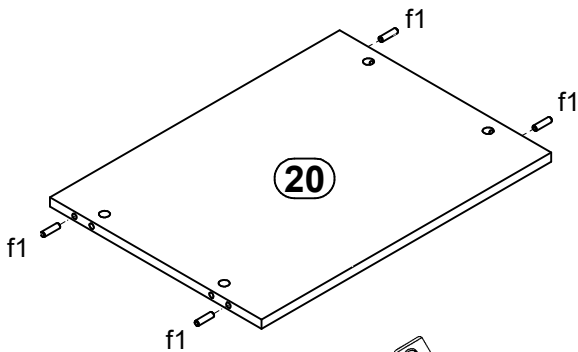
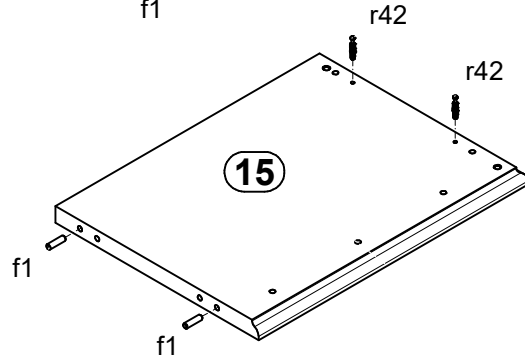
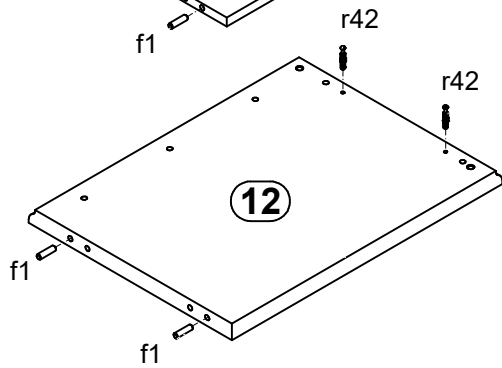
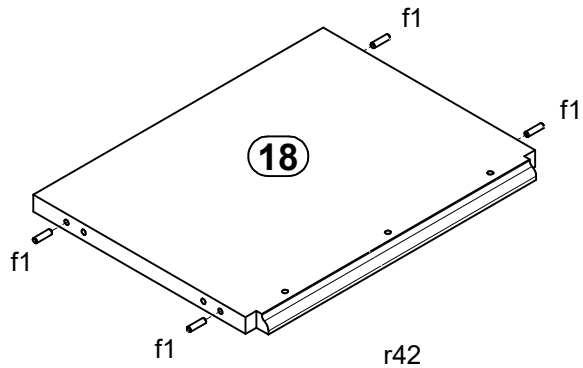
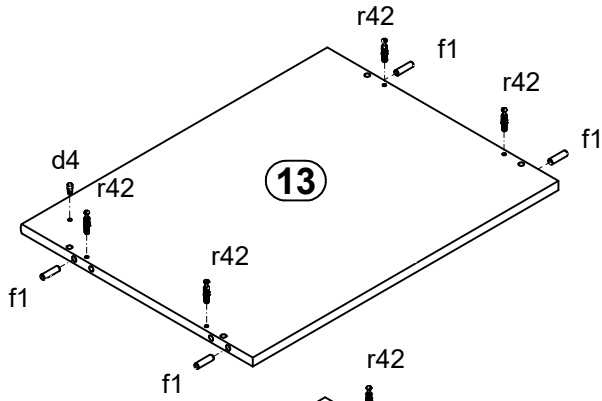
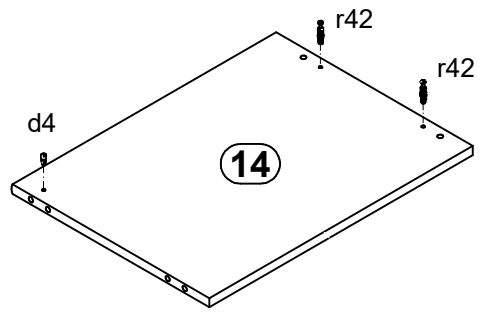
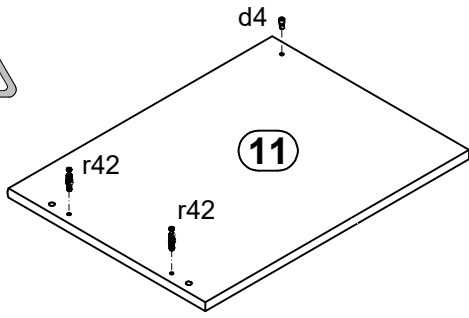
13x K18 Ø35 a172	13x D24,5 b85	7x c35\1	7x c35\2	36x Ø5x17 mm d1	3x Ø6,3x15 mm d4	4x Ø7x60 mm e8	12x Ø6x33 mm e10	8x Ø5x9 mm e19
65x Ø8x30 mm f1	4x Ø6x30 mm f9	8x Ø6,5x40 mm f25	32x 100x30\3,8 mm f64	2x M4x20 mm j1	5x M4x30 mm j6	4x k1	130x 1,4x20 mm l1	6x 26x26x10\1-125° n40
6x Ø3,5x16 mm p38	14x Ø4x20 mm p39	12x Ø3x7 mm p46	26x Ø3,5x15 mm p51	40x Ø15x12 mm #16 r1	8x Ø12x10,5 mm #12 r15	40x 20\11 r42	4x 40 mm r51	2x 350 mm w45\CL
2x 350 mm w45\CR	2x 350 mm w45\DL	2x 350 mm w45\DR	12x H=21mm w248	2x 30g GLUE y1\2	12x Ø16 s2	1x 4 mm z1		
							1x n26	1x Ø3,5x16 mm p38



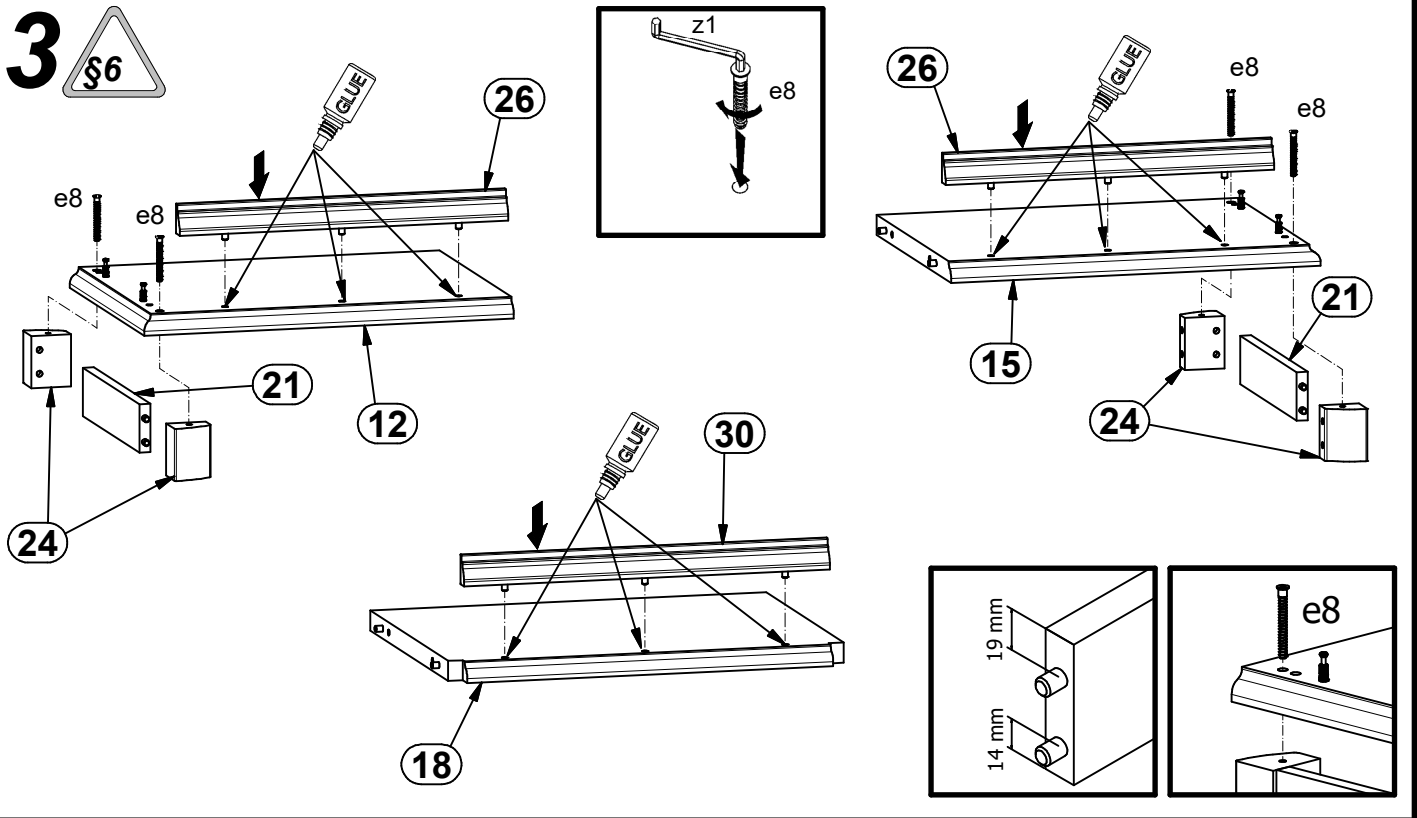
1 



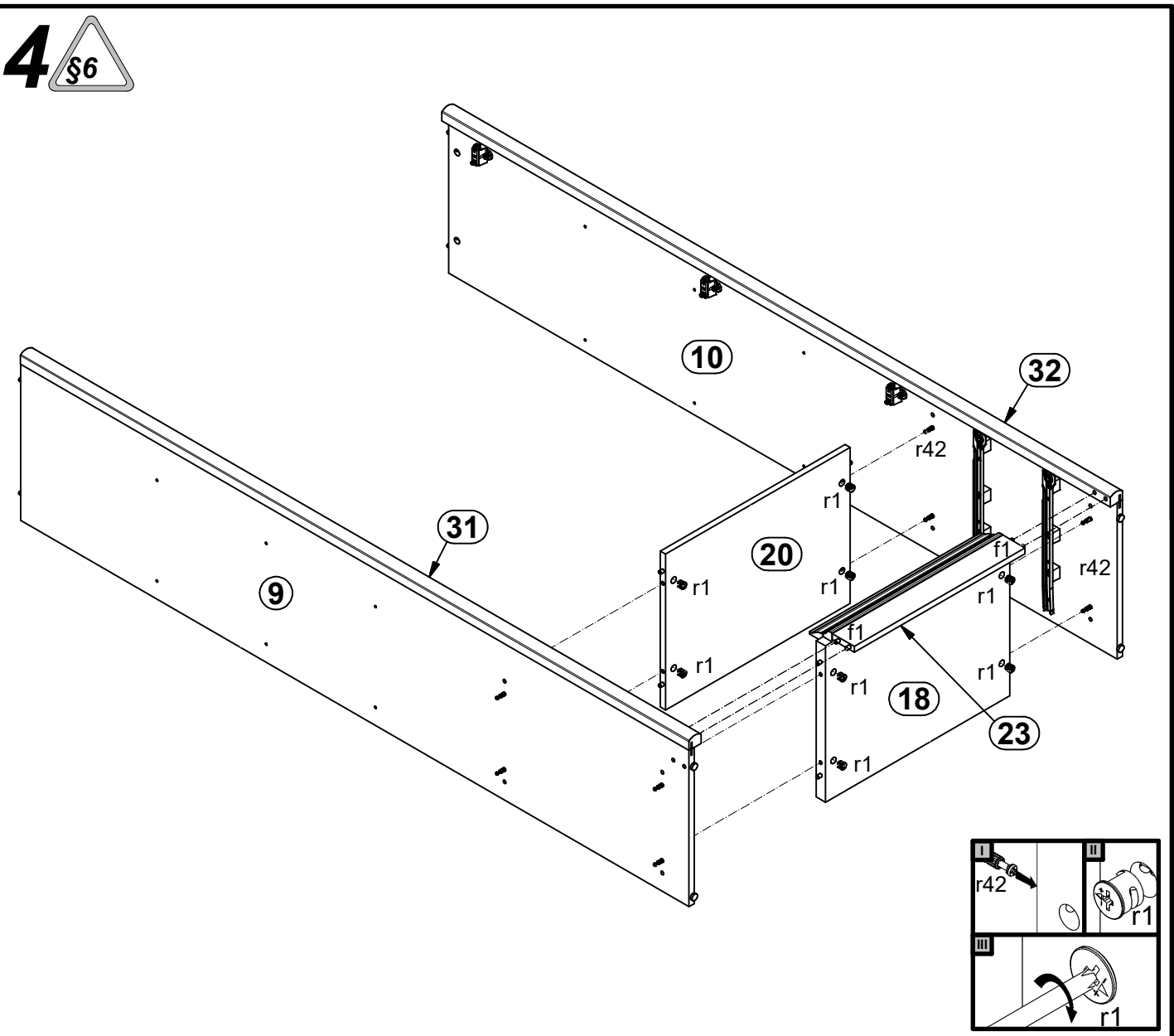
# 2



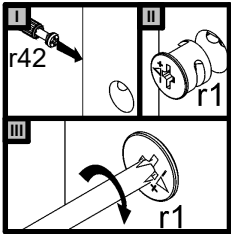
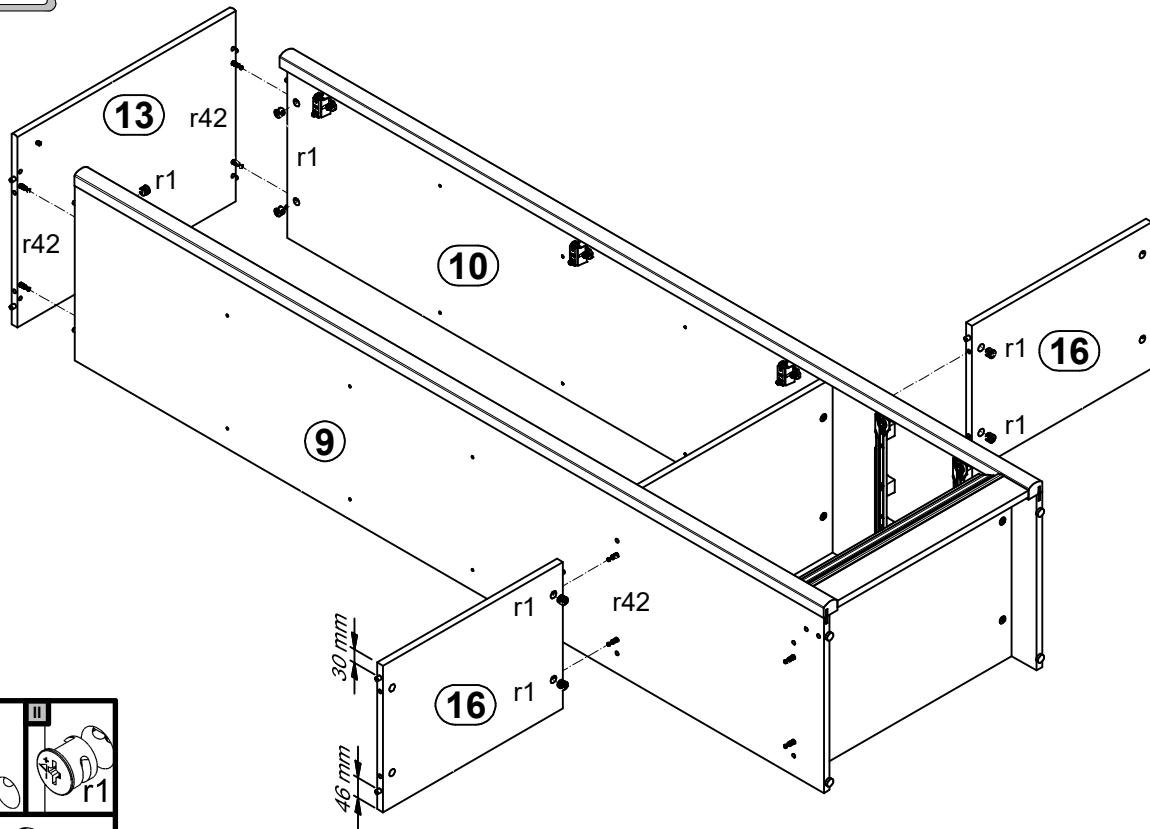
# 3



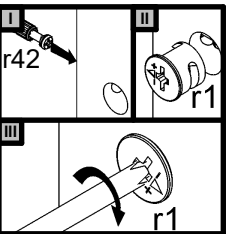
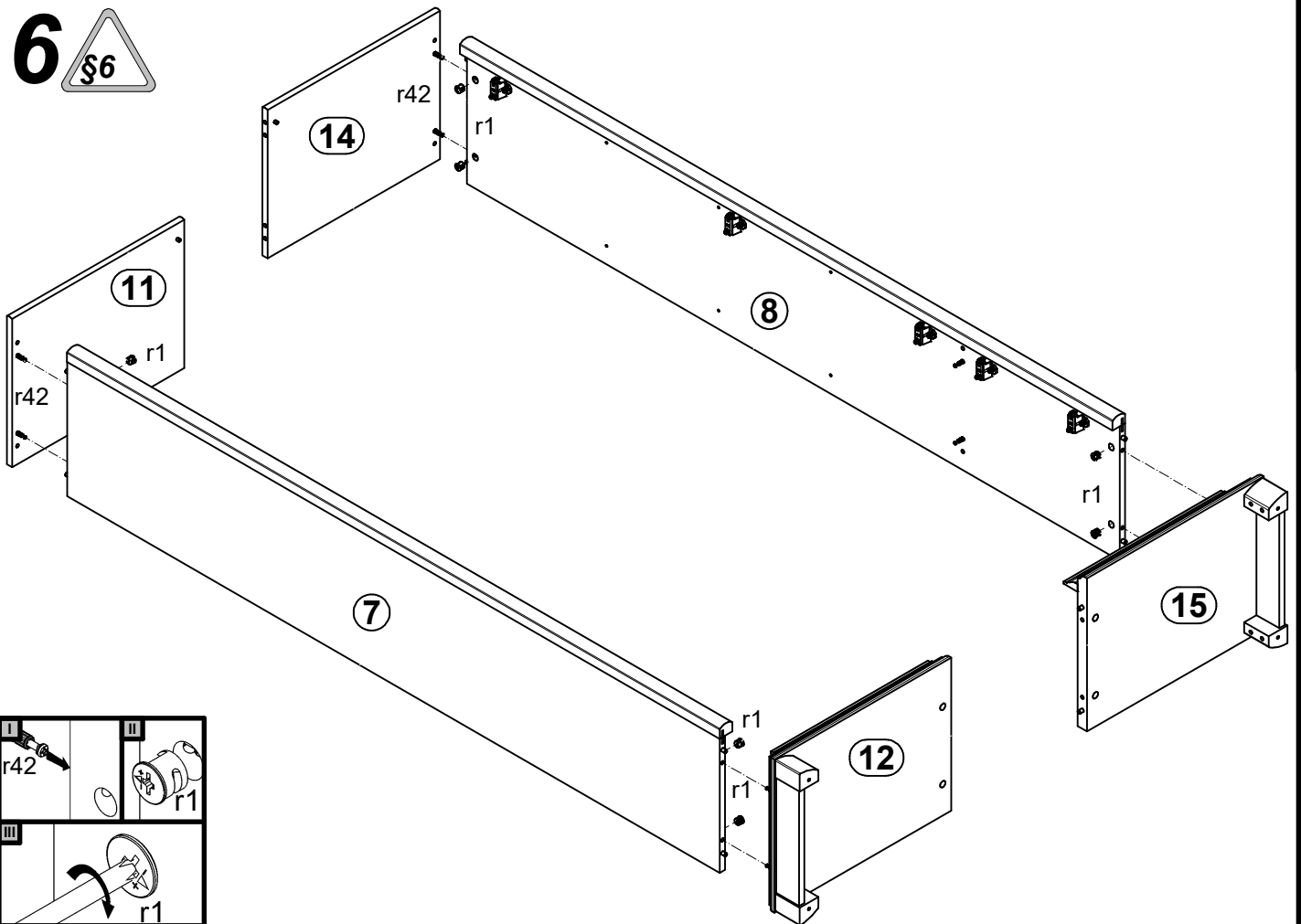
# 4



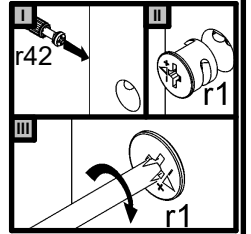
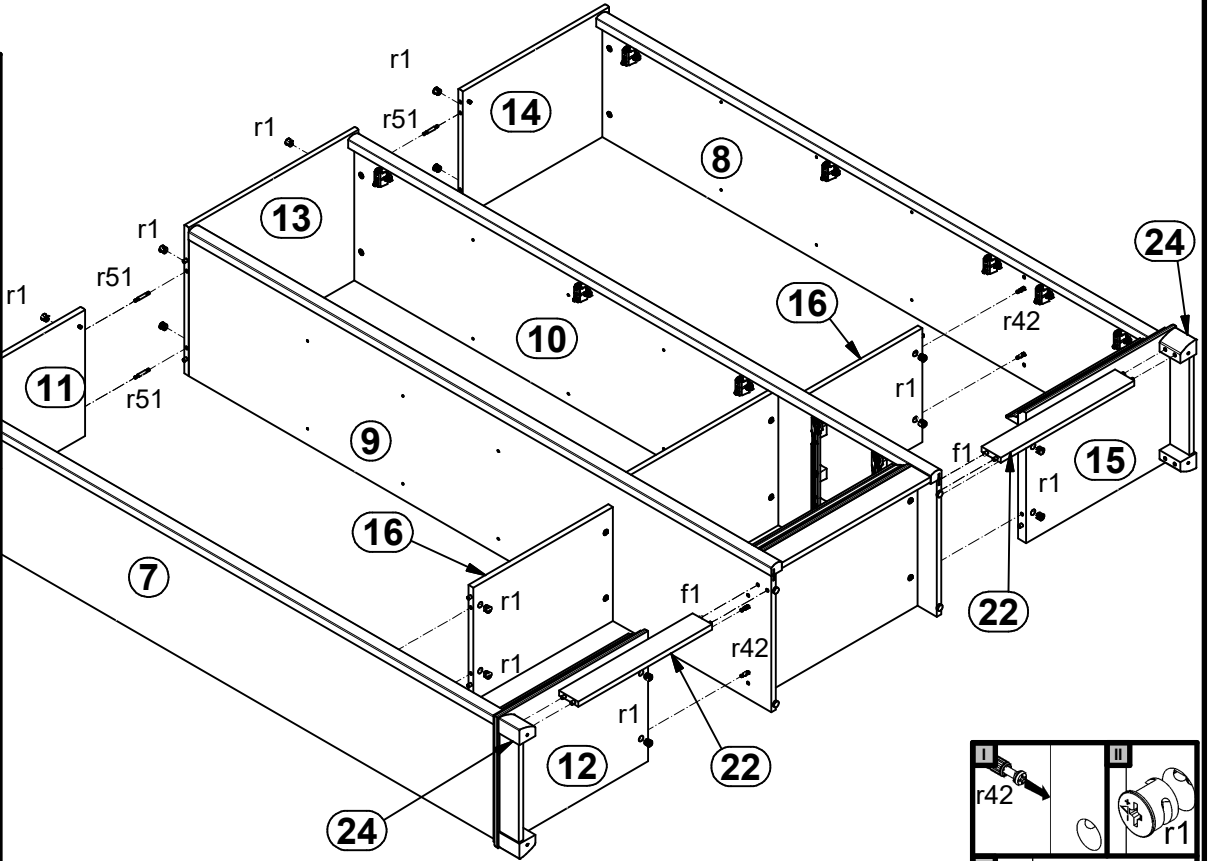
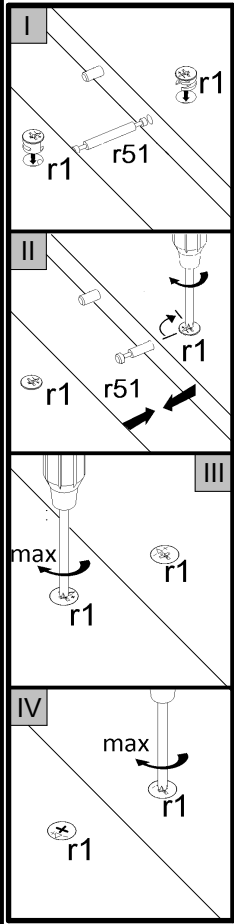
# 5



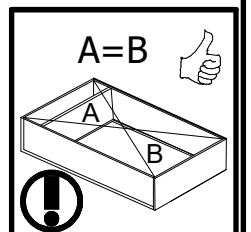
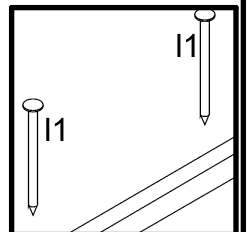
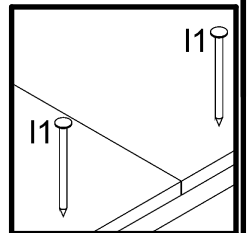
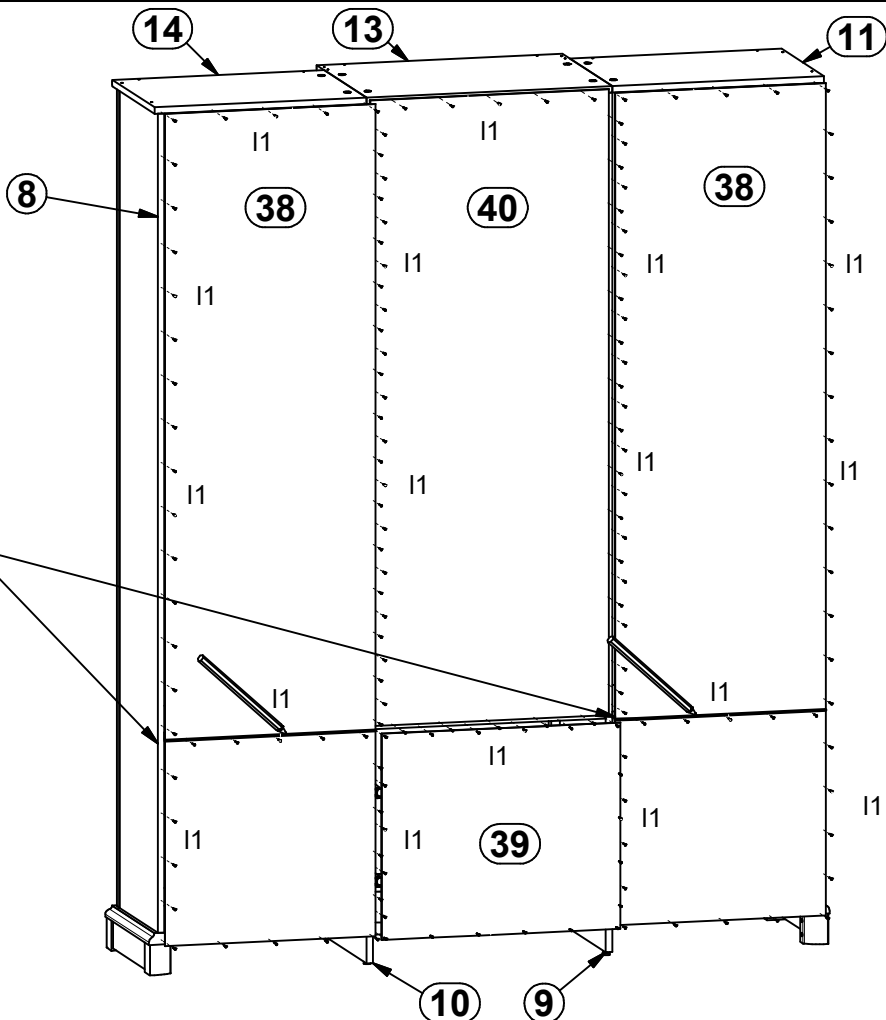
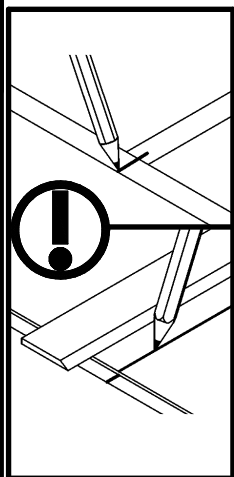
# 6



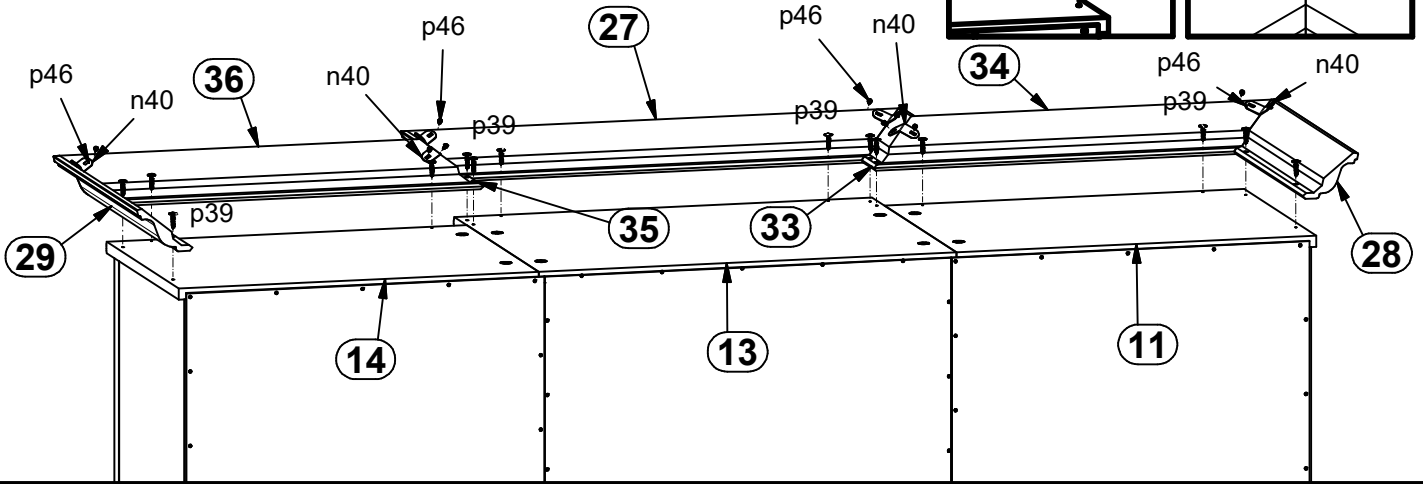
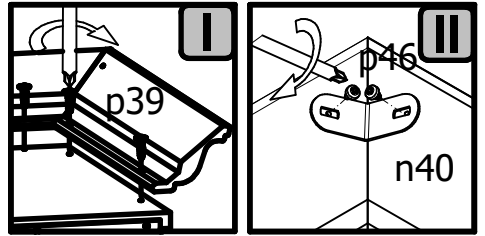
# 7



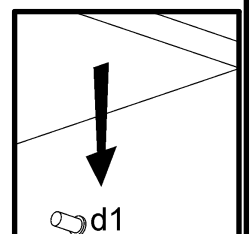
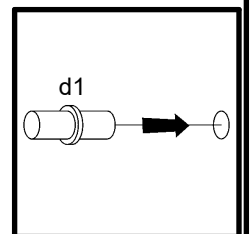
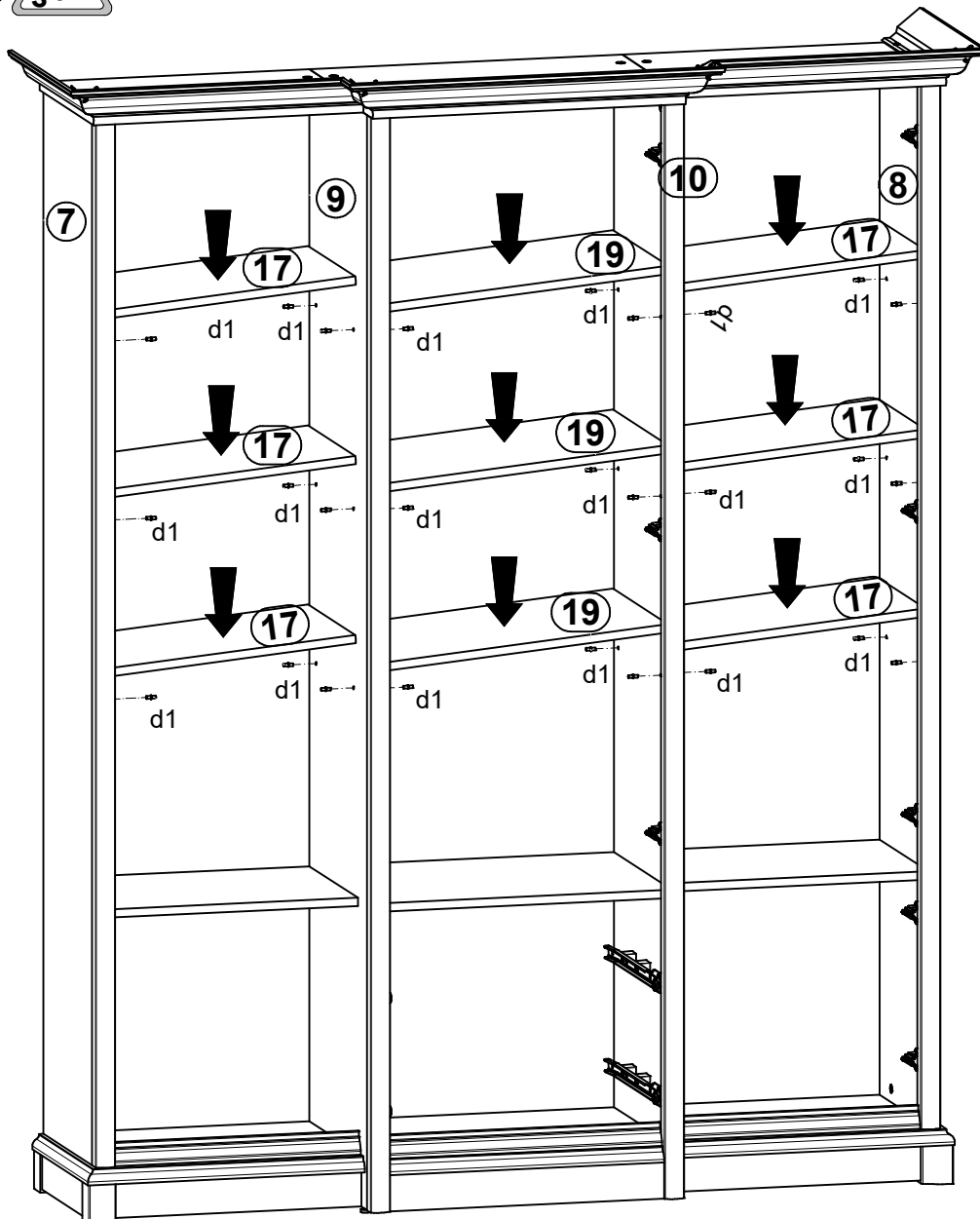
# 8



# 9

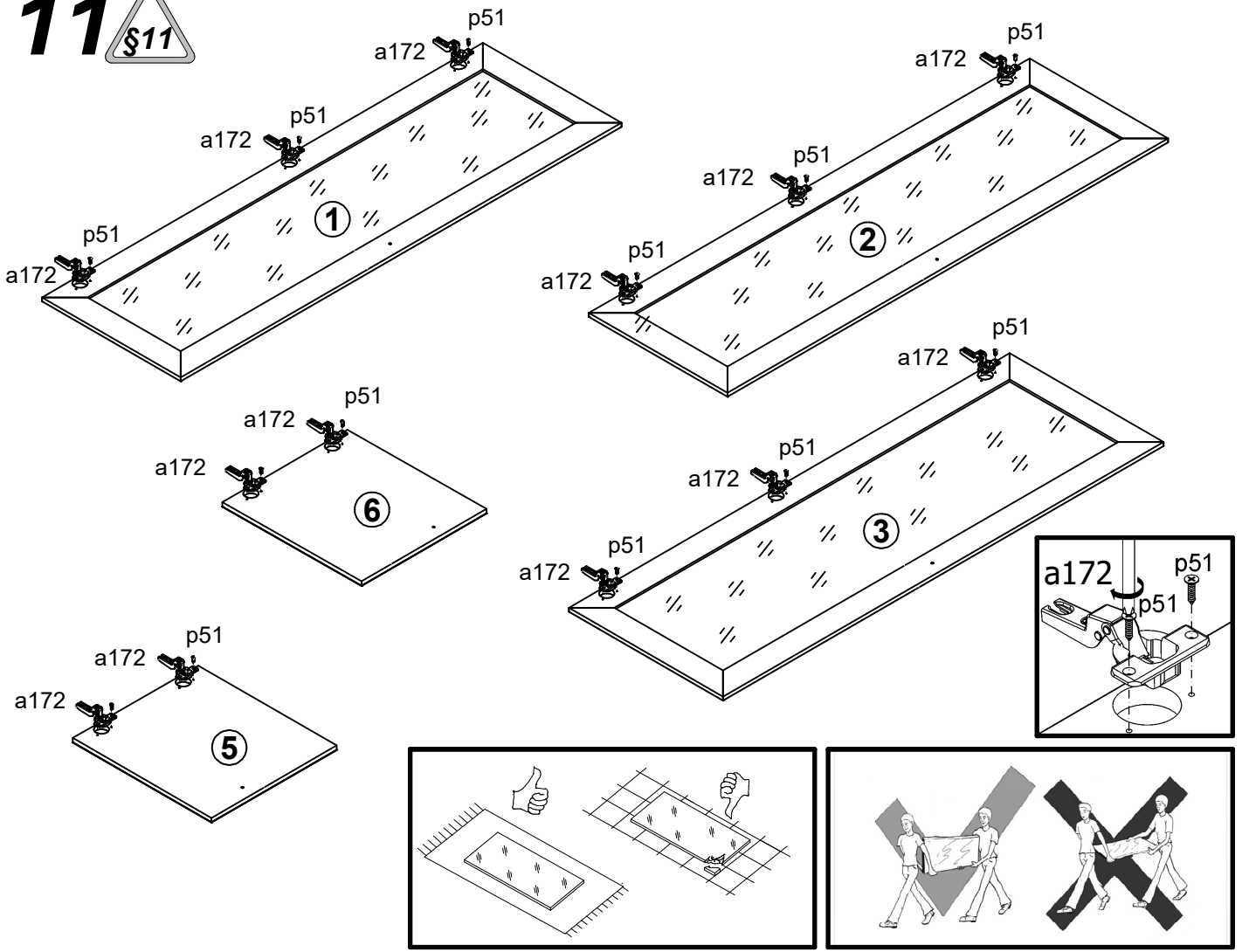


# 10

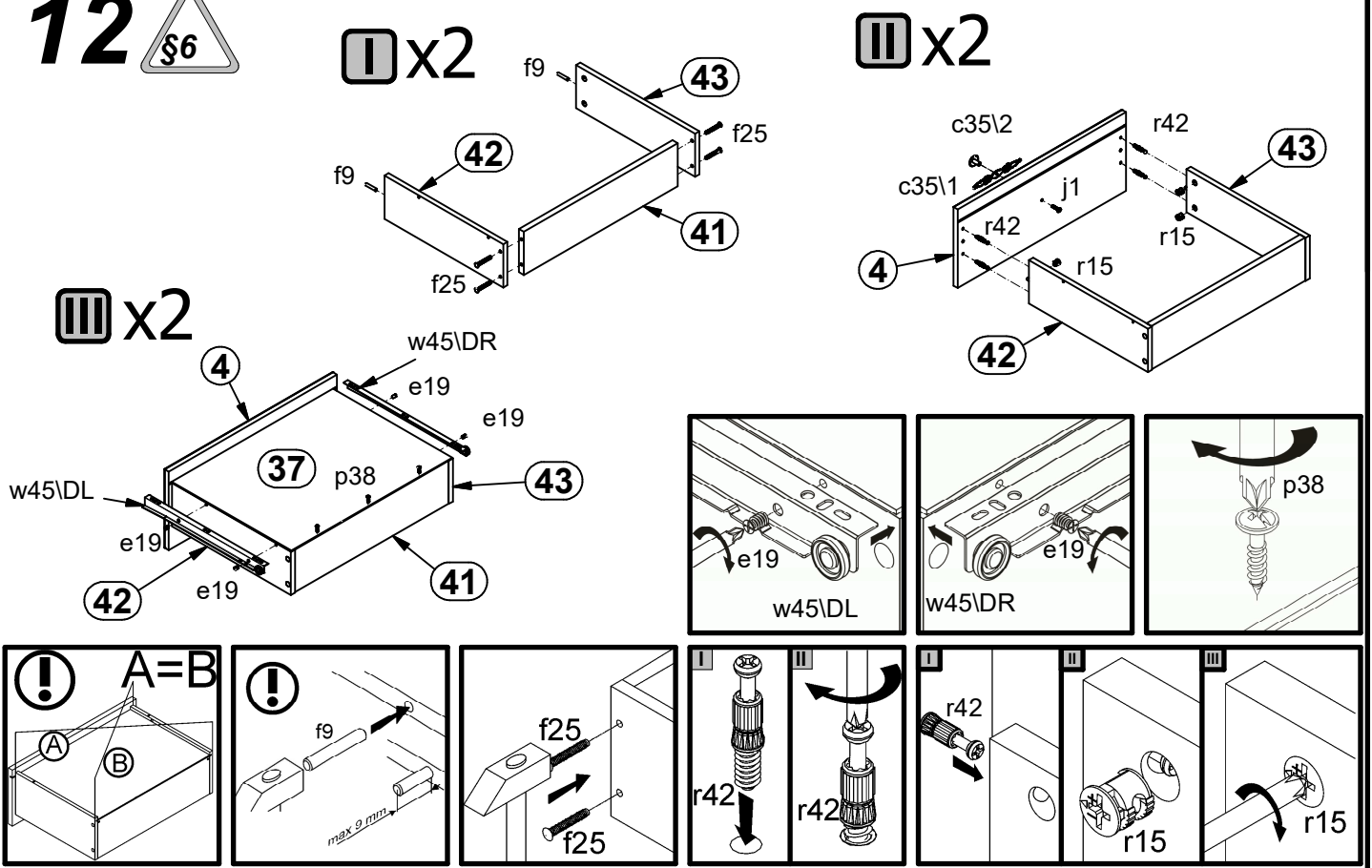




# 11



# 12



# 13

