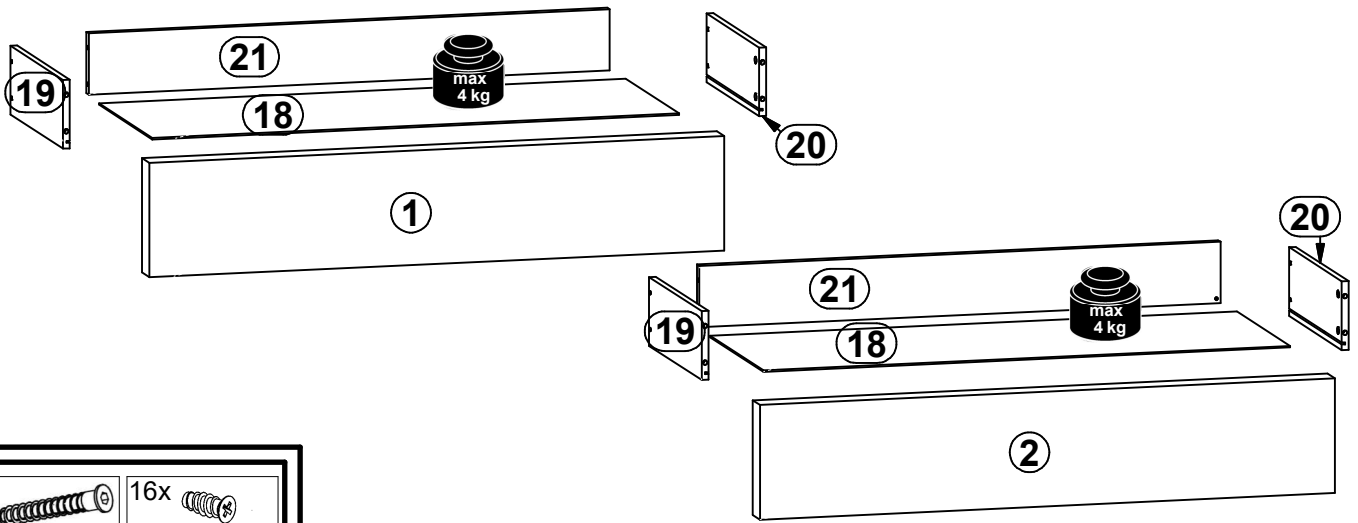
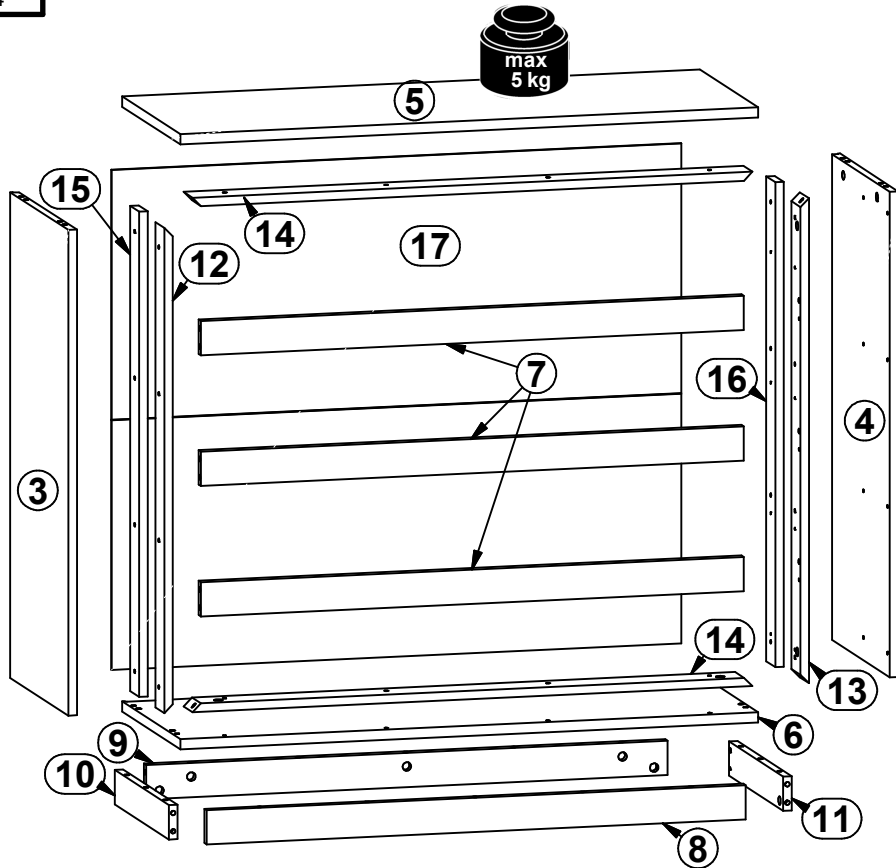
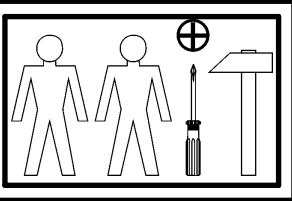
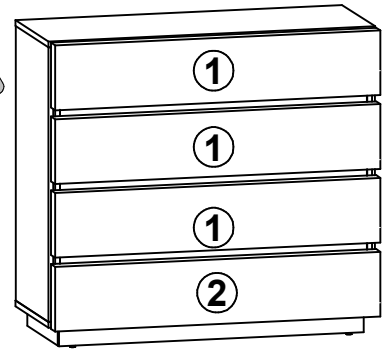
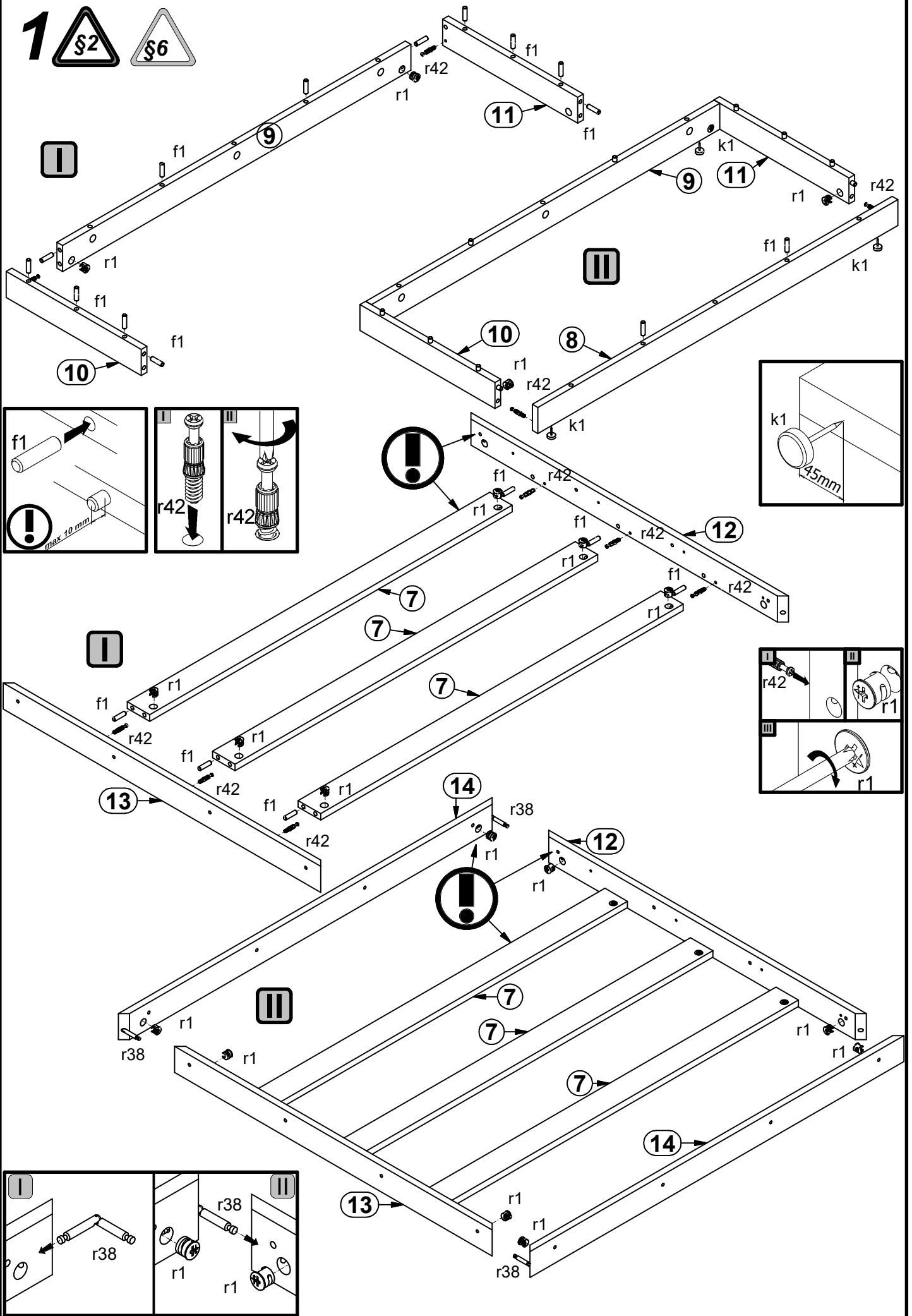


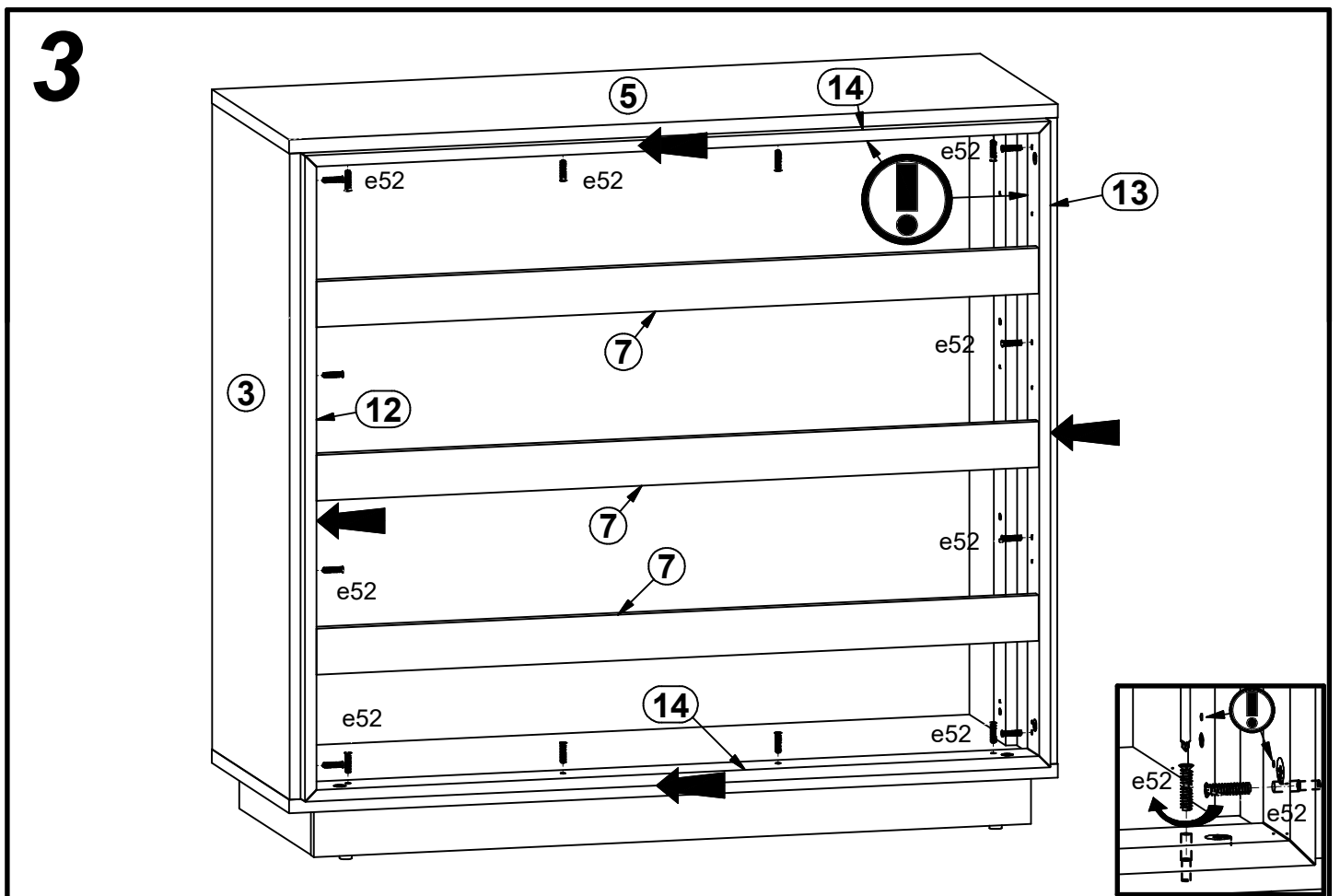
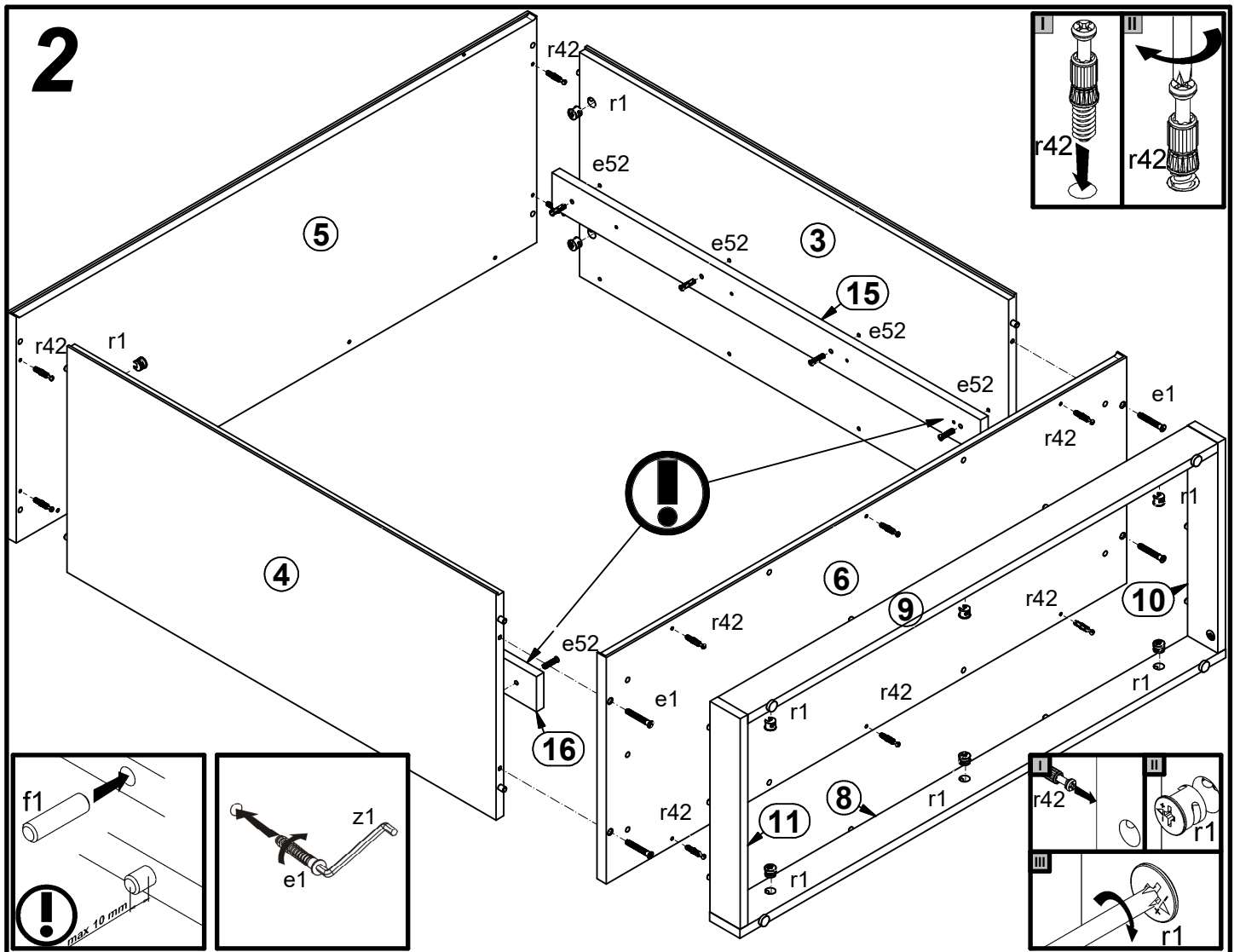
A	B	C	D	A	B	C	D		
1	S317-001	1024	200	4/4	12	S317-406	847	60	3/4
2	S317-004	1024	200	4/4	13	S317-407	847	60	3/4
3	S317-101	848	387	1/4	14	S317-408	997	60	3/4
4	S317-102	848	387	1/4	15	S317-409	847	60	1/4
5	S317-201	1029	387	2/4	16	S317-410	847	60	1/4
6	S317-202	1029	387	2/4	17	S317-901	1015	873	2/4
7	S317-401	967	60	3/4	18	S317-902	938	355	2/4
8	S317-402	960	60	2/4	19	ZQ2-512	350	120	1/4
9	S317-403	929	60	2/4	20	ZQ2-513	350	120	1/4
10	S317-404	360	60	1/4	21	ZQ2-514	928	107	2/4
11	S317-405	360	60	1/4					



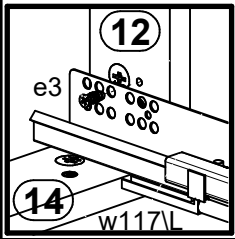
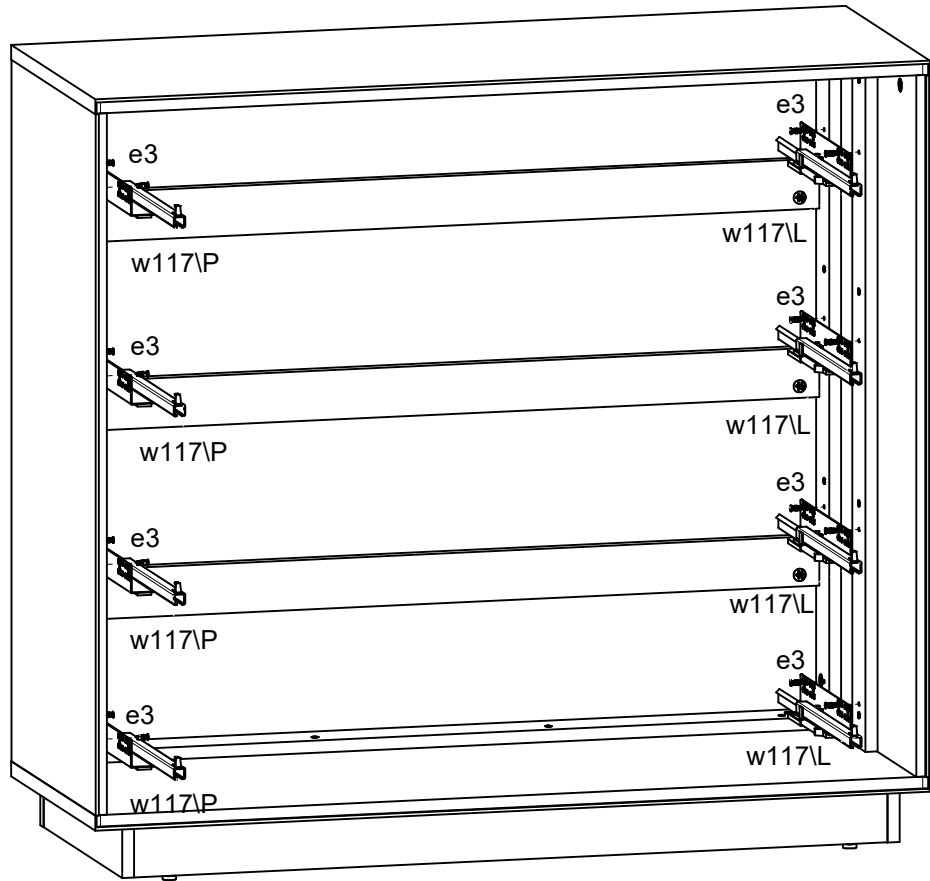
4x Ø7x50 mm e1	16x Ø6x13 mm e3	24x Ø6.3x26 mm e52	28x Ø8x30 mm f1	16x Ø6.5x40 mm f25	4x k1	40x l1	4x Ø3.5x16 mm p25	4x Ø3.5x10 mm p35	32x Ø3.5x16 mm p38	28x Ø15x12 mm #16 r1
16x Ø12x10.5 mm #12 r15	4x 39/39 r38	36x 20/11 r42	4x 350 mm t35	4x 350 mm W117L	4x 350 mm W117P	1x n26\1	1x Ø3.5x16 mm p38	1x z1		

1  





# 4



# 5

