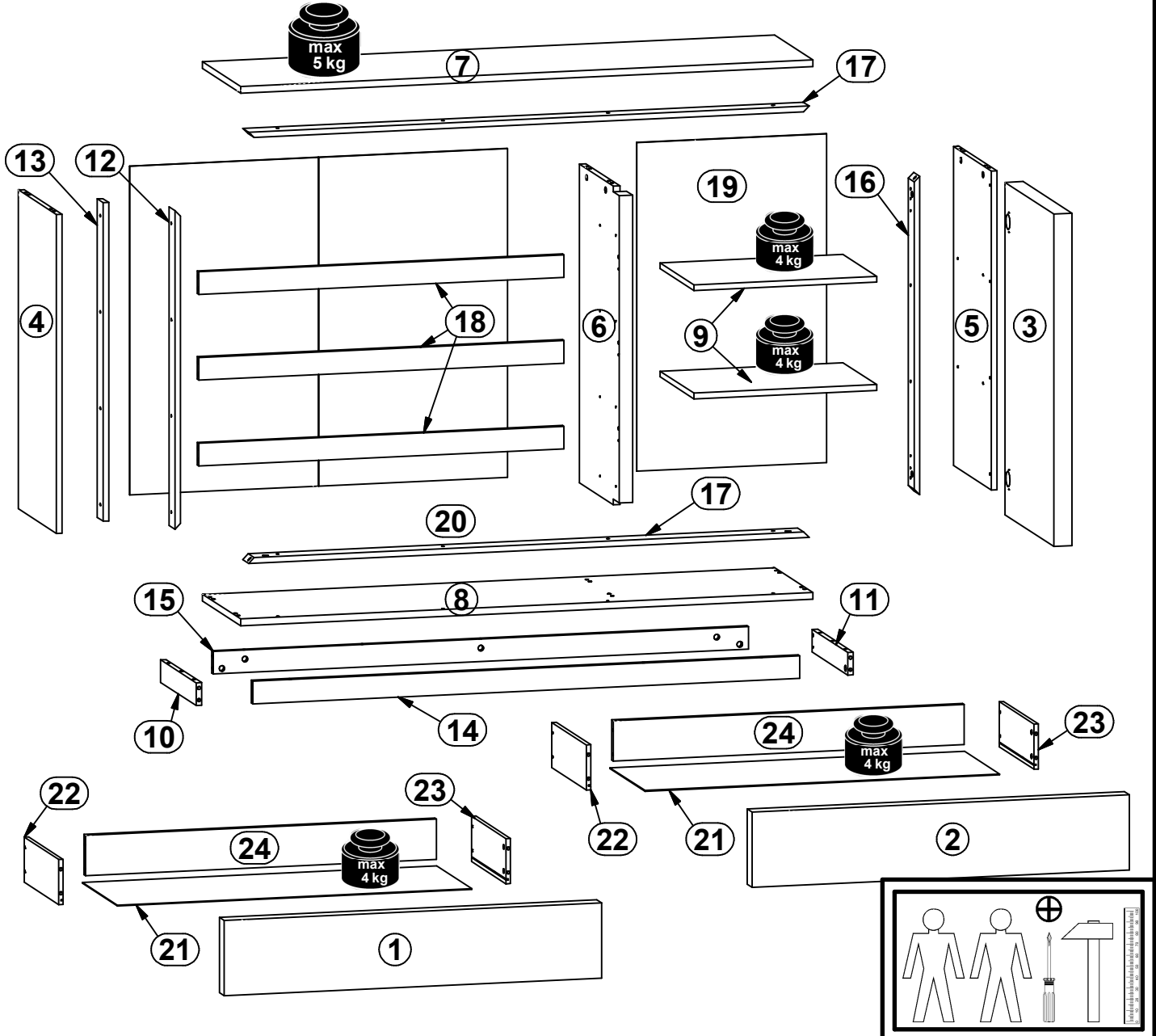
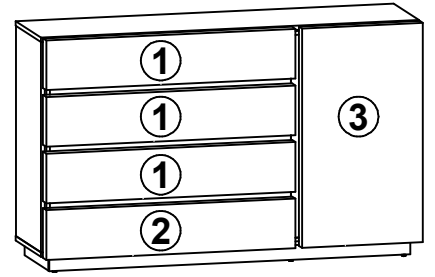
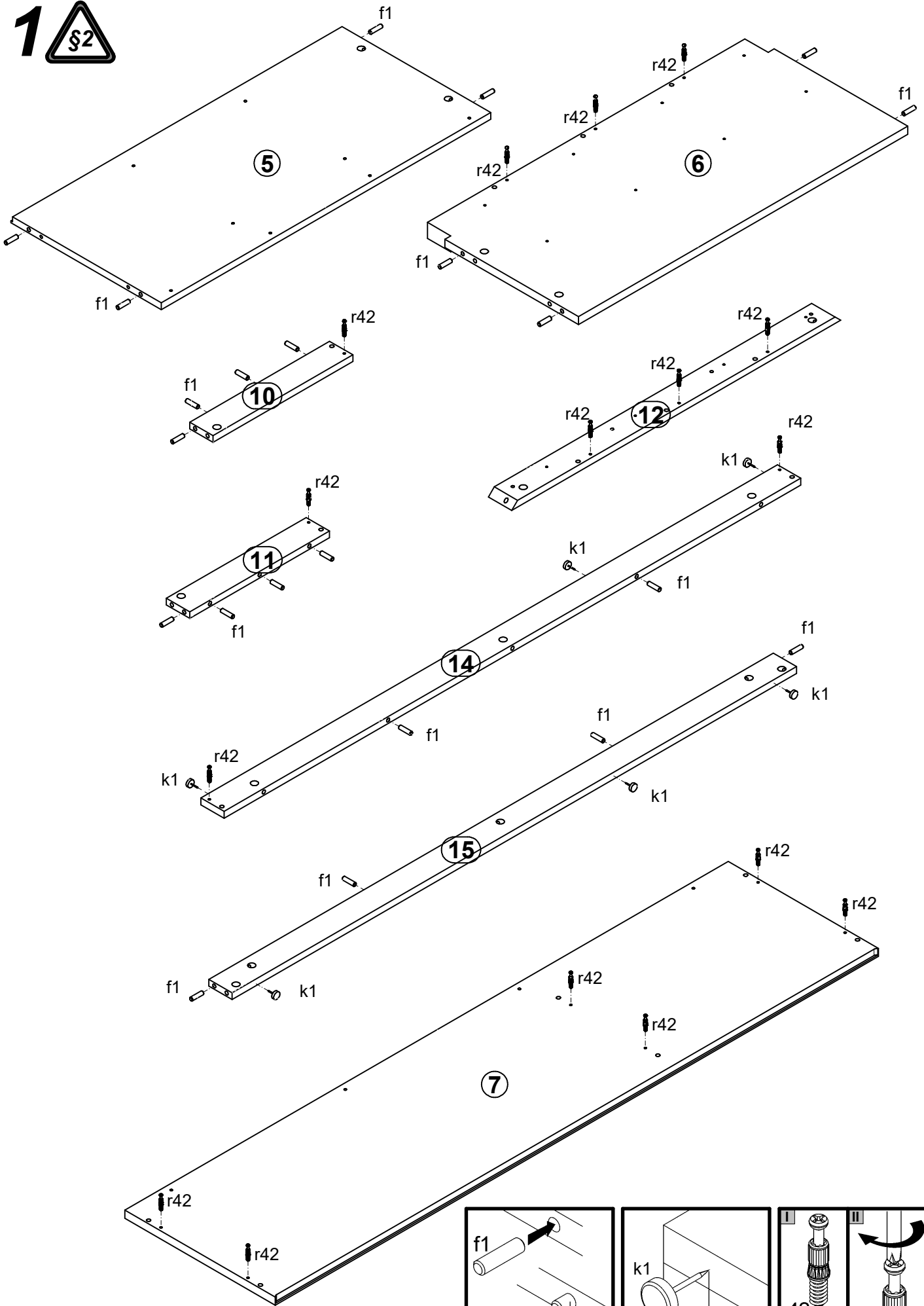


A	B	C	D	A	B	C	D		
1	S317-008	1024	200	4/5	13	S317-409	847	60	1/5
2	S317-009	1024	200	4/5	14	S317-429	1484	60	2/5
3	S317-010	496	884	5/5	15	S317-430	1453	60	2/5
4	S317-101	848	387	1/5	16	S317-431	847	60	3/5
5	S317-112	848	387	1/5	17	S317-432	1521	60	3/5
6	S317-113	848	404	1/5	18	S317-434	991	60	3/5
7	S317-209	1553	387	2/5	19	S317-909	874	515	5/5
8	S317-210	1553	387	2/5	20	S317-910	874	1025	5/5
9	S317-309	496	343	1/5	21	S317-915	962	355	2/5
10	S317-404	360	60	1/5	22	ZQ2-512	350	120	2/5
11	S317-405	360	60	1/5	23	ZQ2-513	350	120	2/5
12	S317-406	847	60	3/5	24	ZQ2-518	952	107	2/5

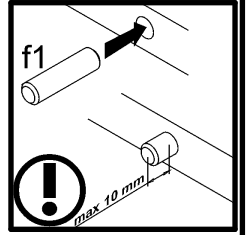
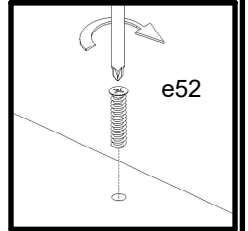
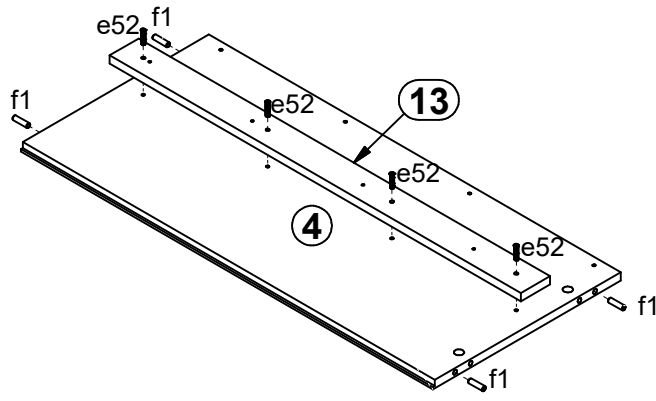


2x K0 Ø40 a128	2x H=0 b75	8x Ø5x17 mm d1	6x Ø7x50 mm e1	16x Ø6x13 mm e3	20x Ø6.3x26 mm e52	32x Ø8x30 mm f1	16x Ø6.5x40 mm f25	6x k1
70x l1	4x Ø3.5x16 mm p25	4x Ø3.5x10 mm p35	24x Ø3.5x16 mm p38	4x Ø3.5x15 mm p51	30x Ø15x12 mm #16 r1	16x Ø12x10.5 mm #12 r15	4x 39/39 r38	38x 20/11 r42
4x 350 mm t35	4x 350 mm W117L	4x 350 mm W117P	6x Ø16 s2	1x z1	1x n26\1	1x Ø3.5x16 mm p38		

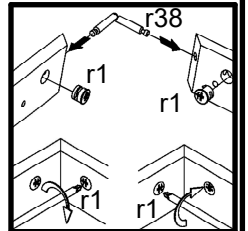
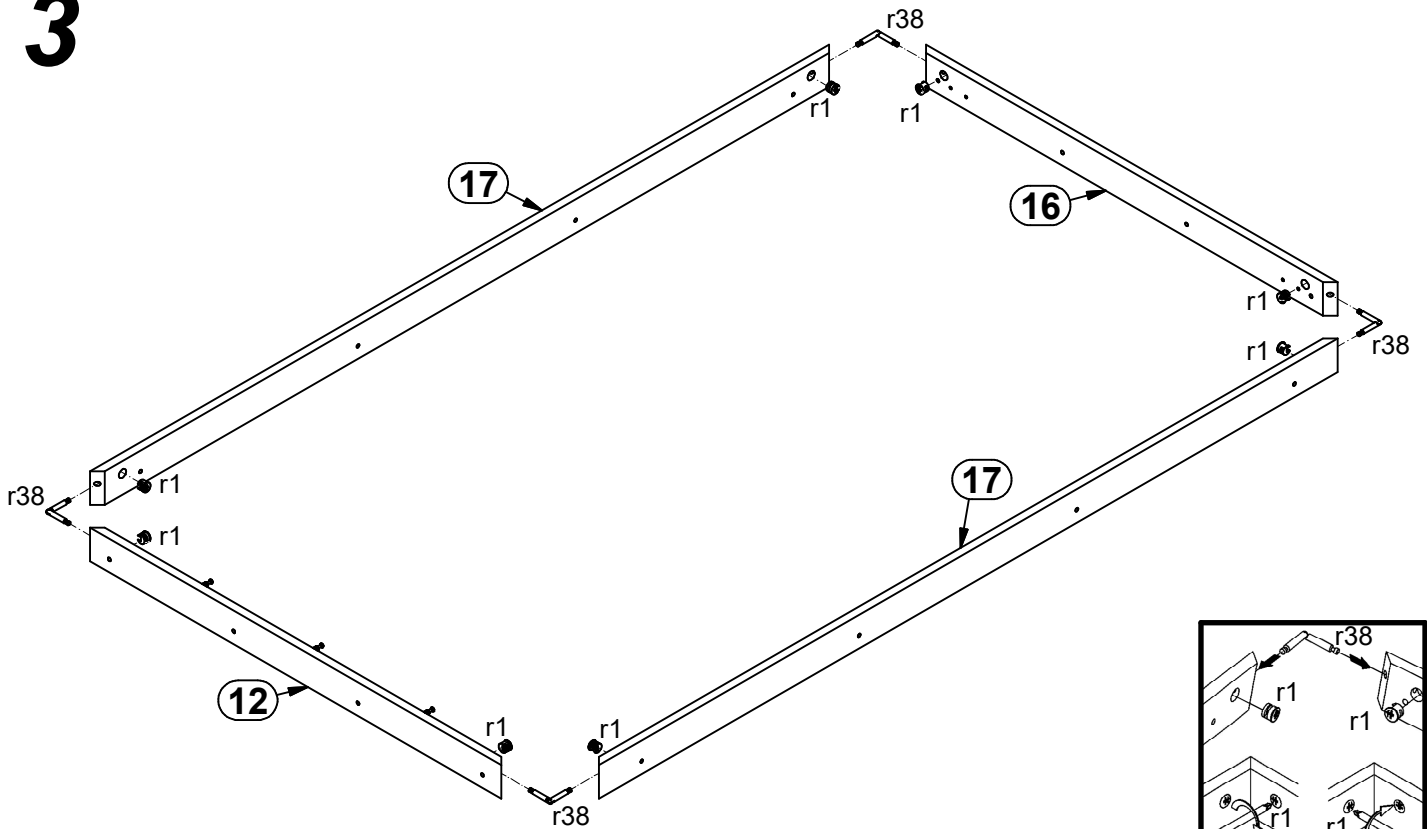
1 



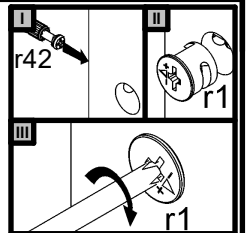
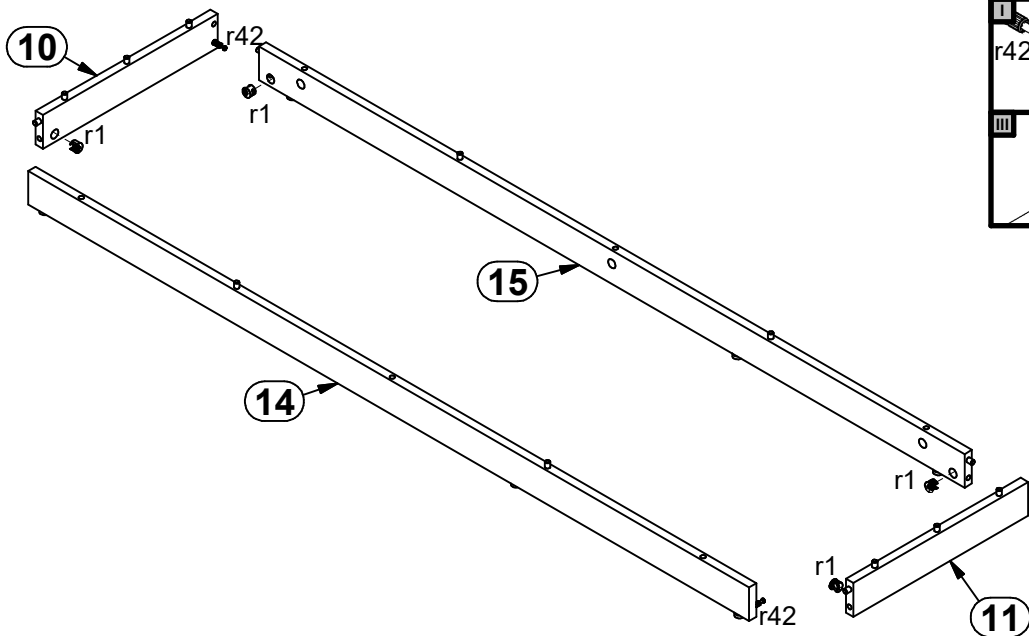
2



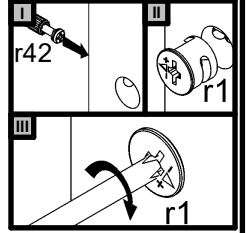
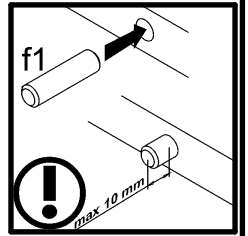
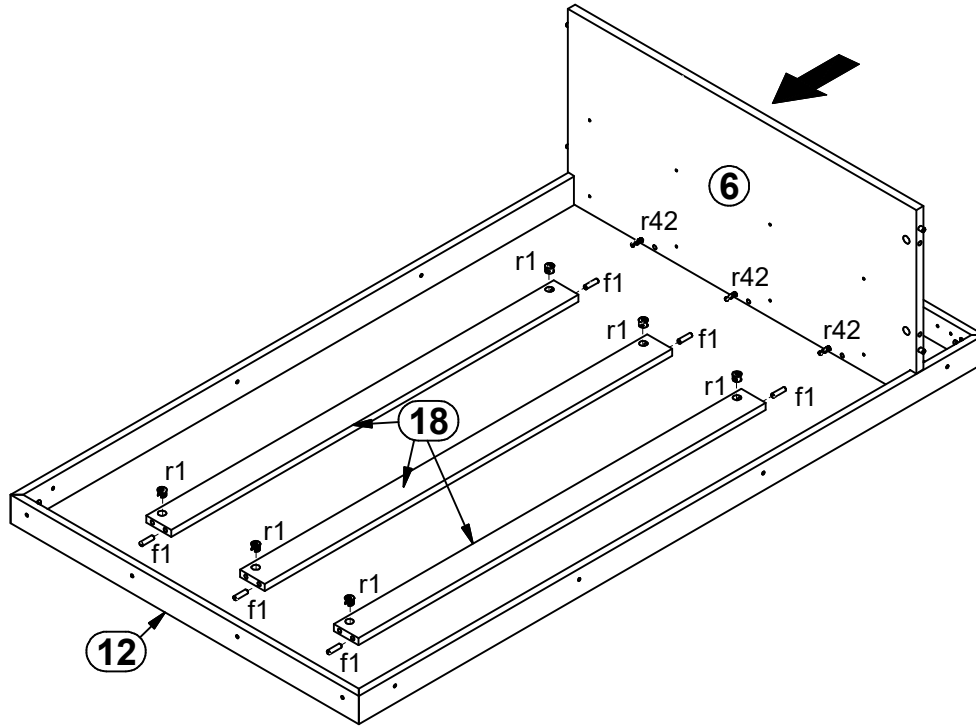
3



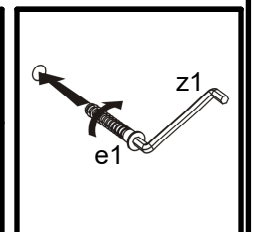
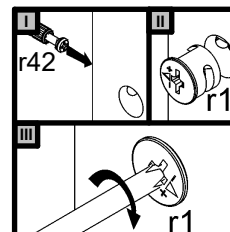
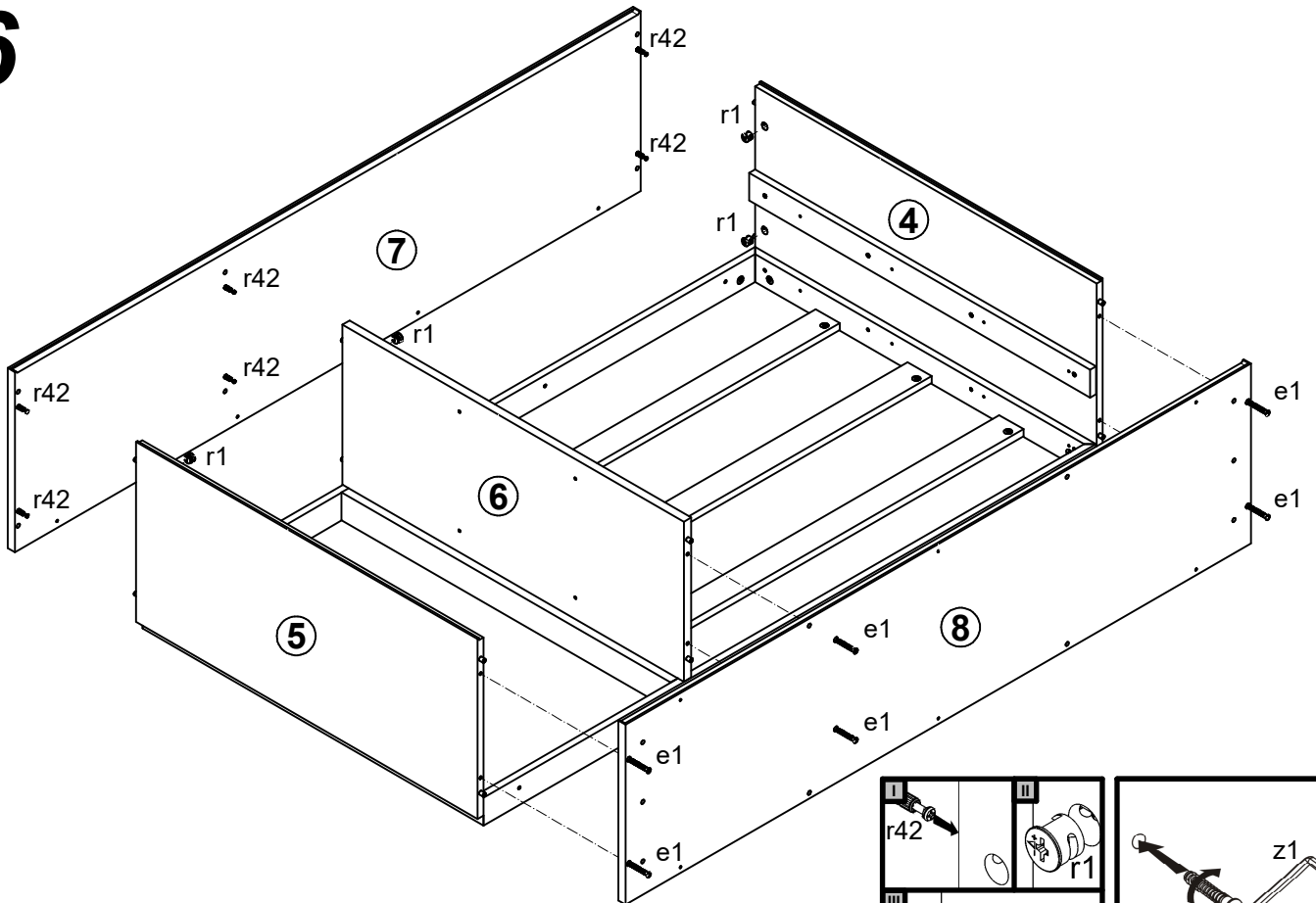
4



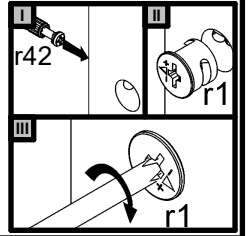
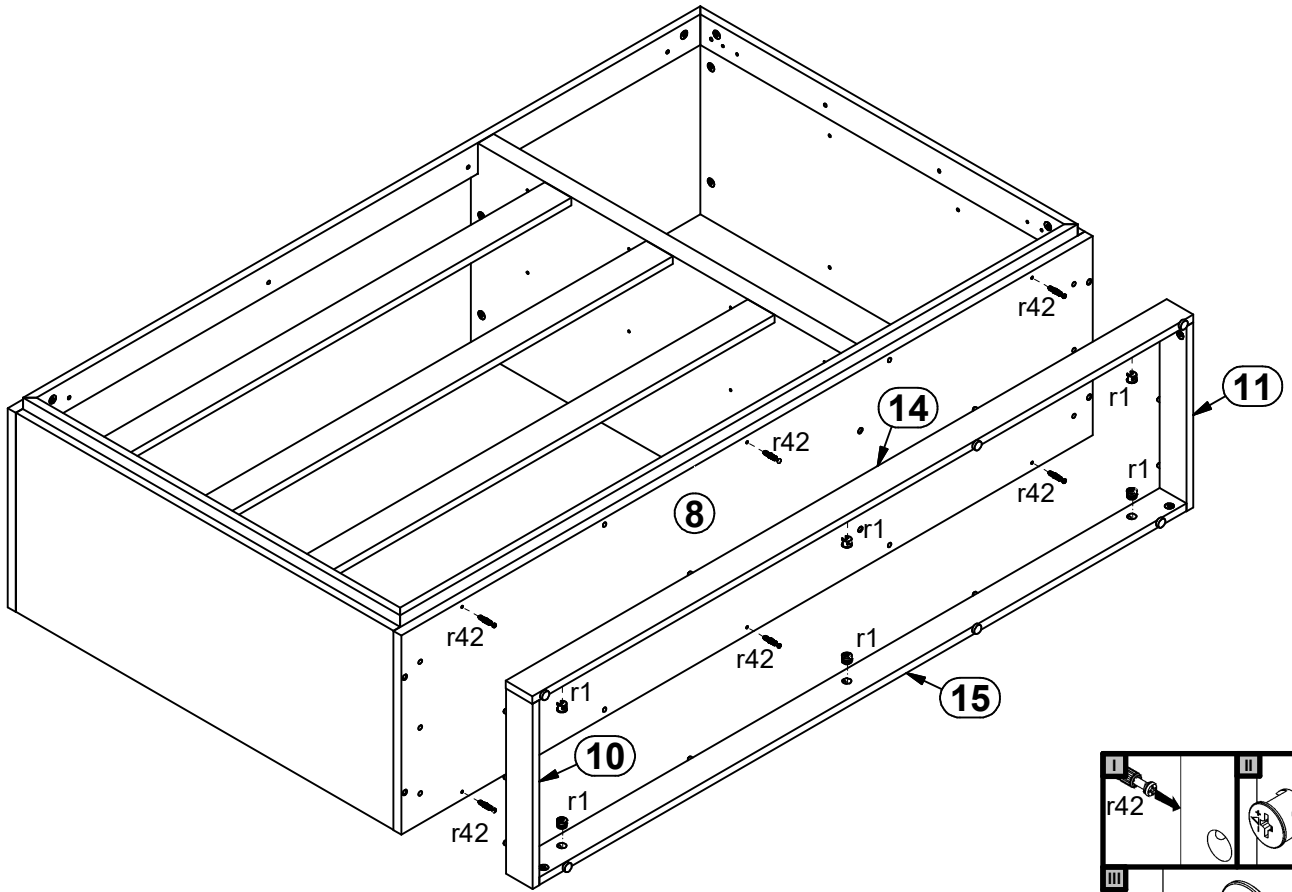
5



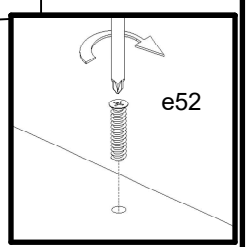
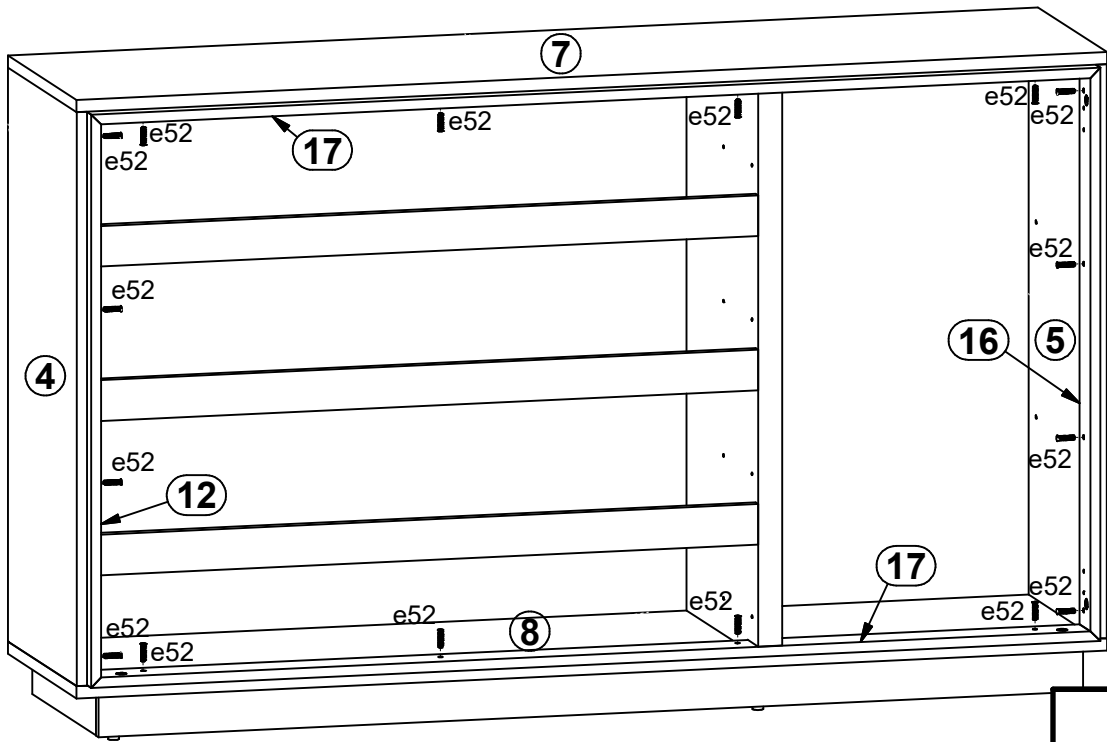
6



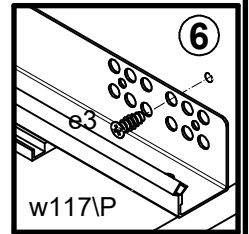
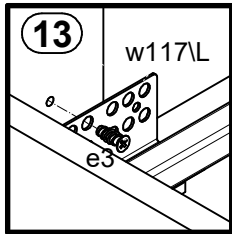
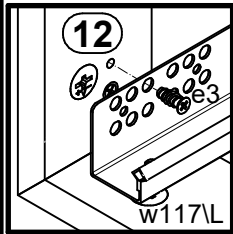
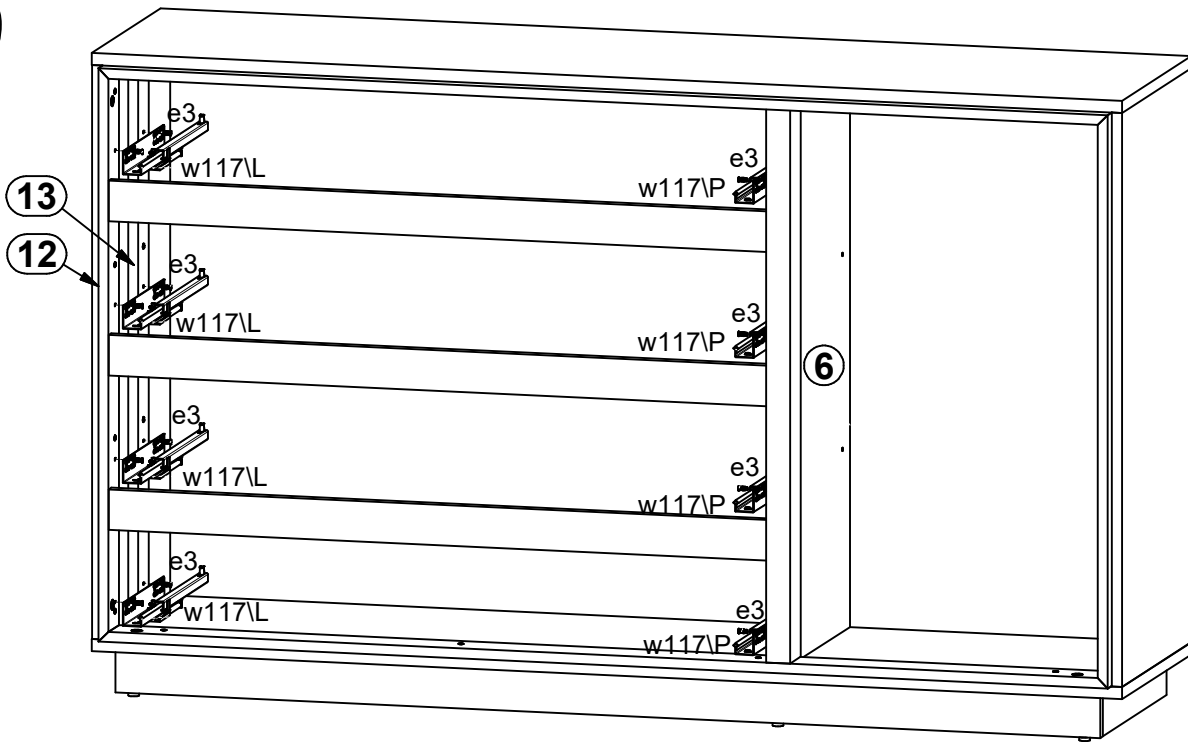
7



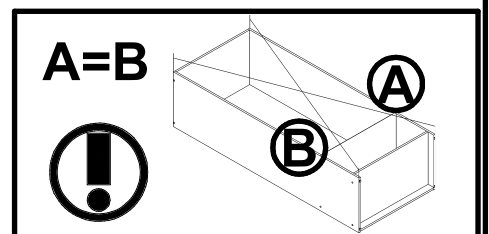
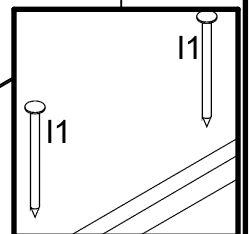
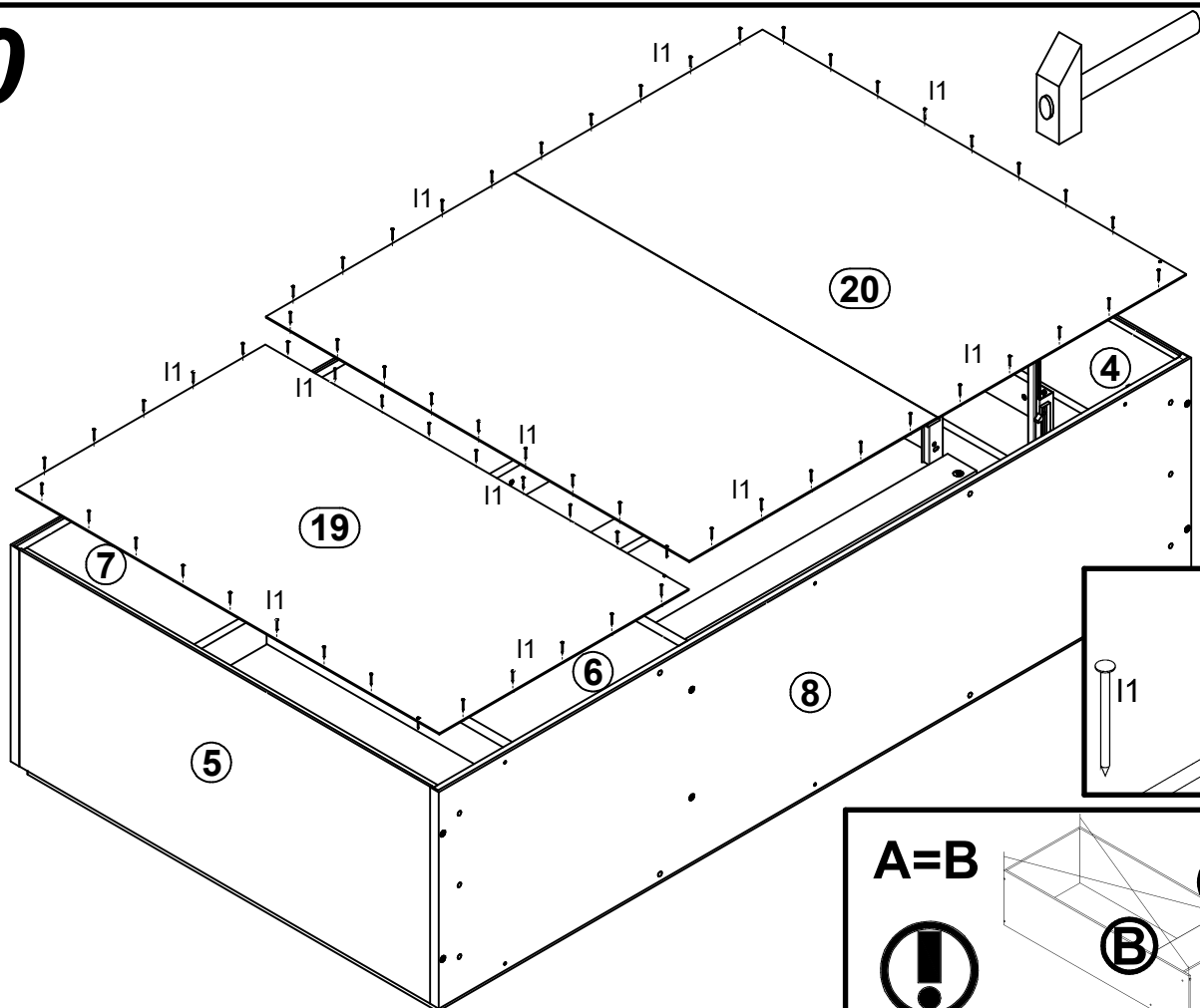
8



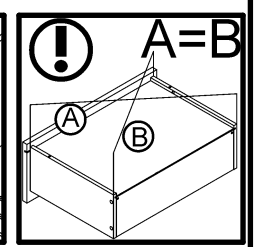
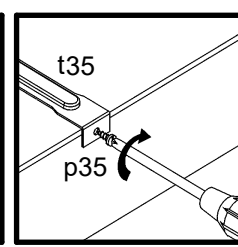
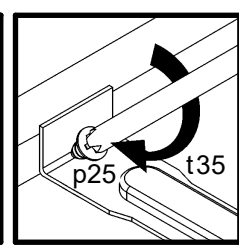
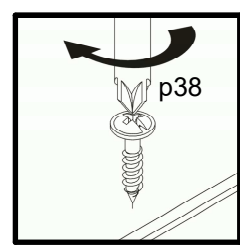
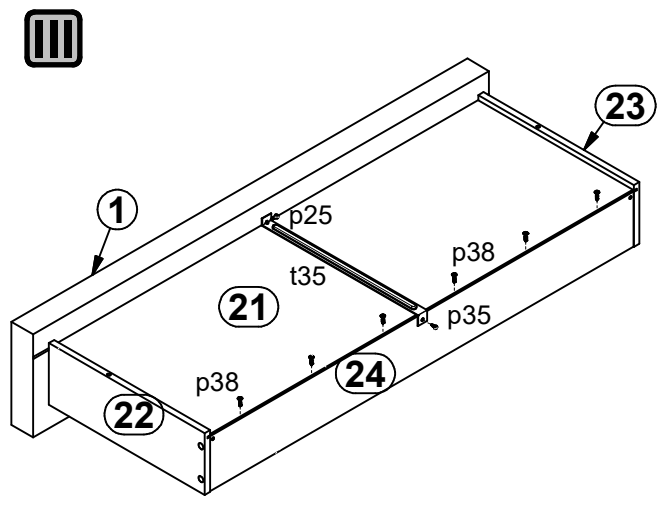
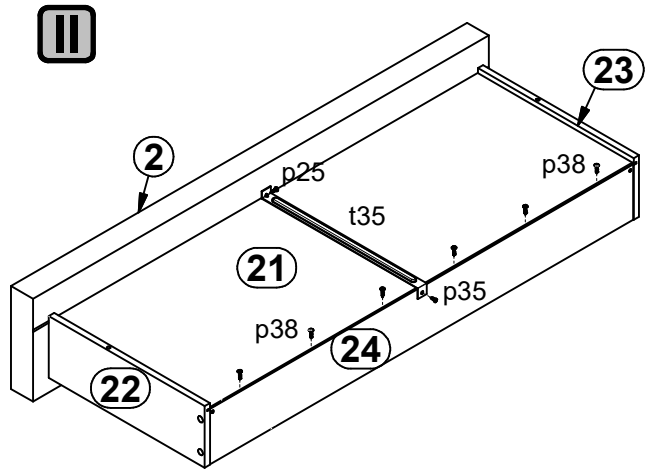
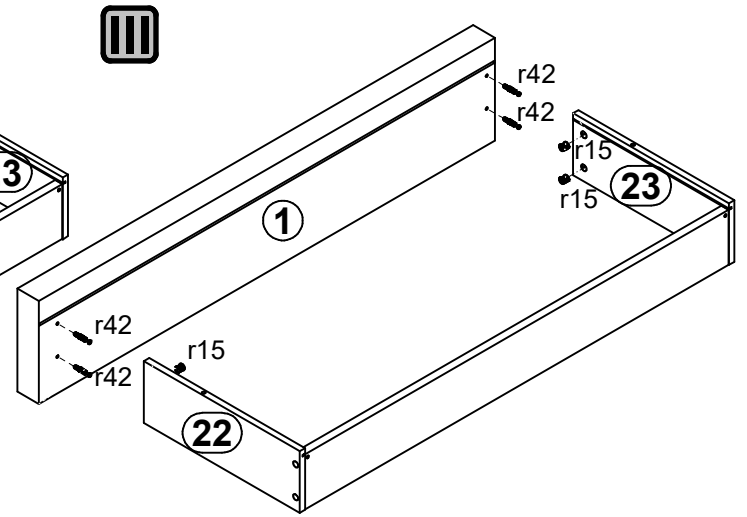
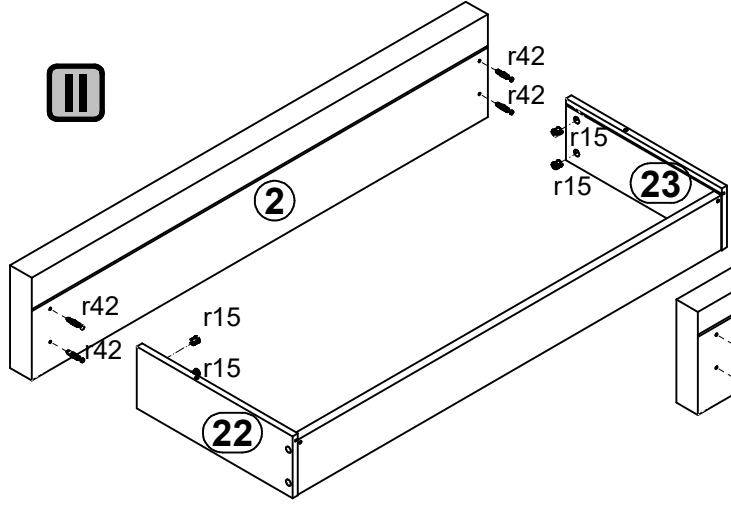
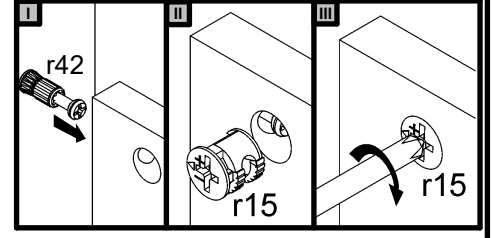
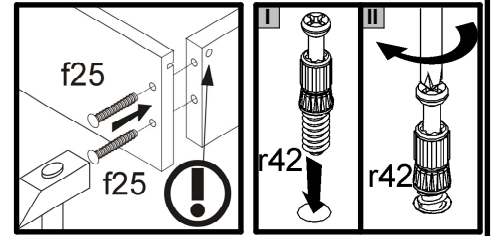
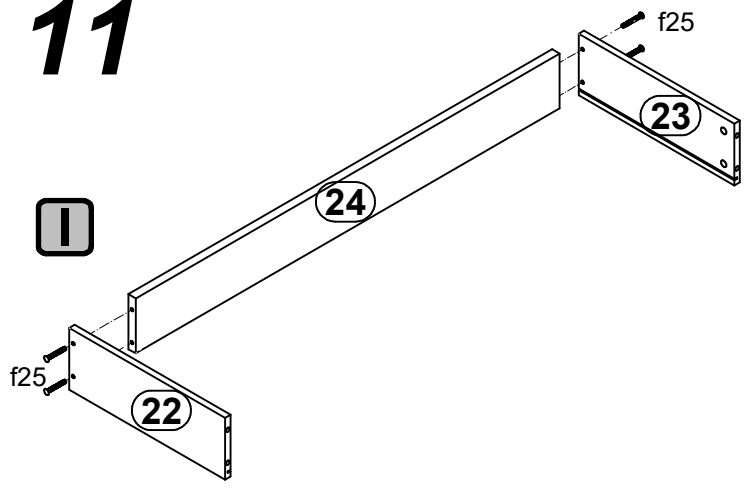
9



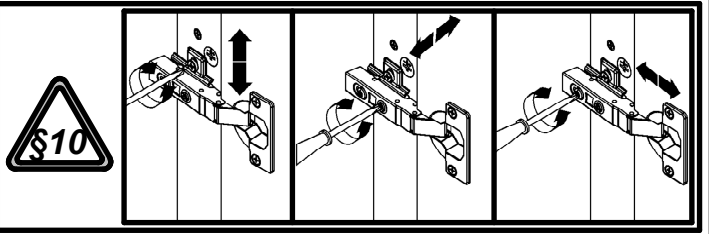
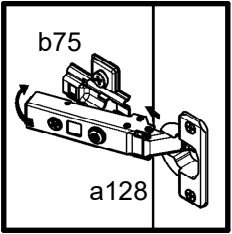
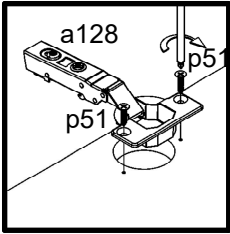
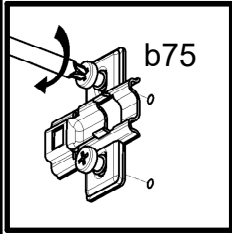
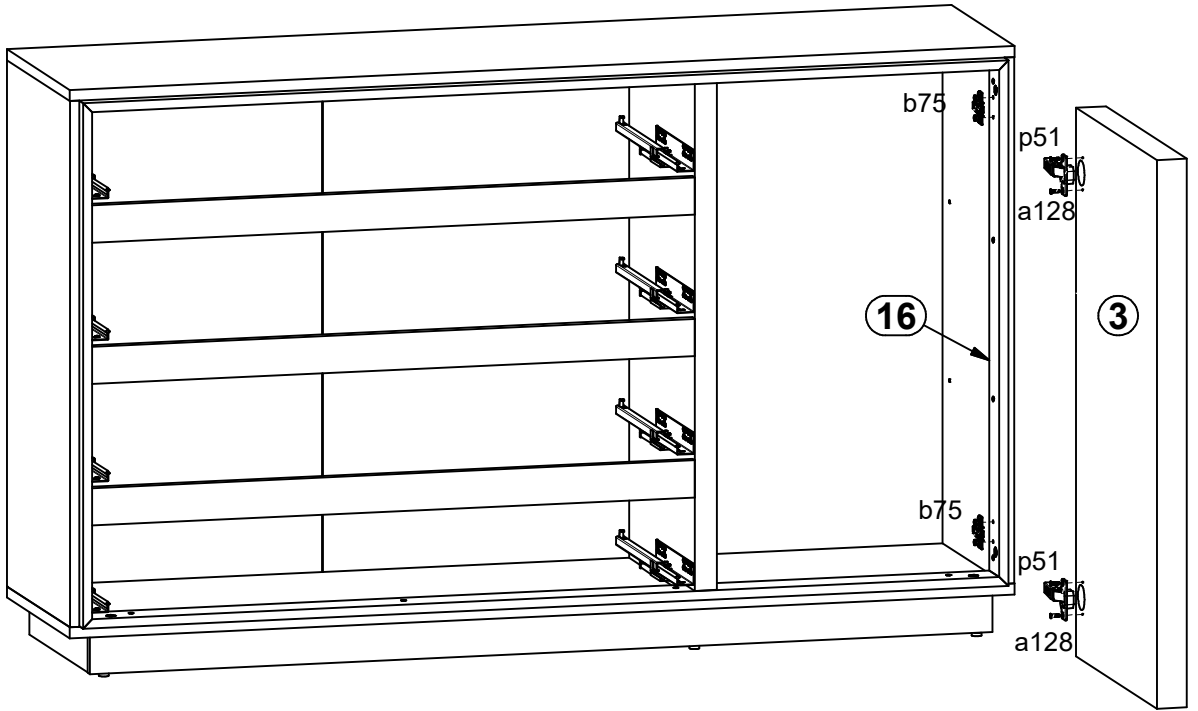
10



11



12



13

