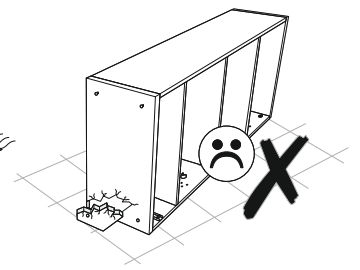
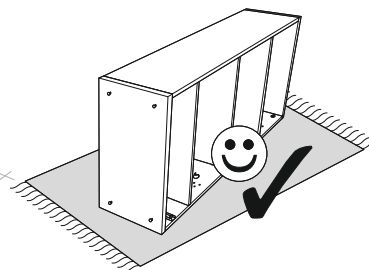
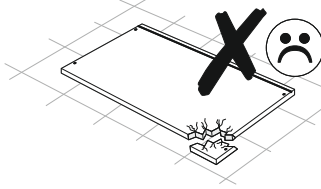
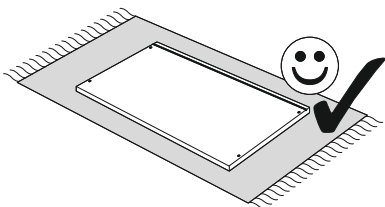
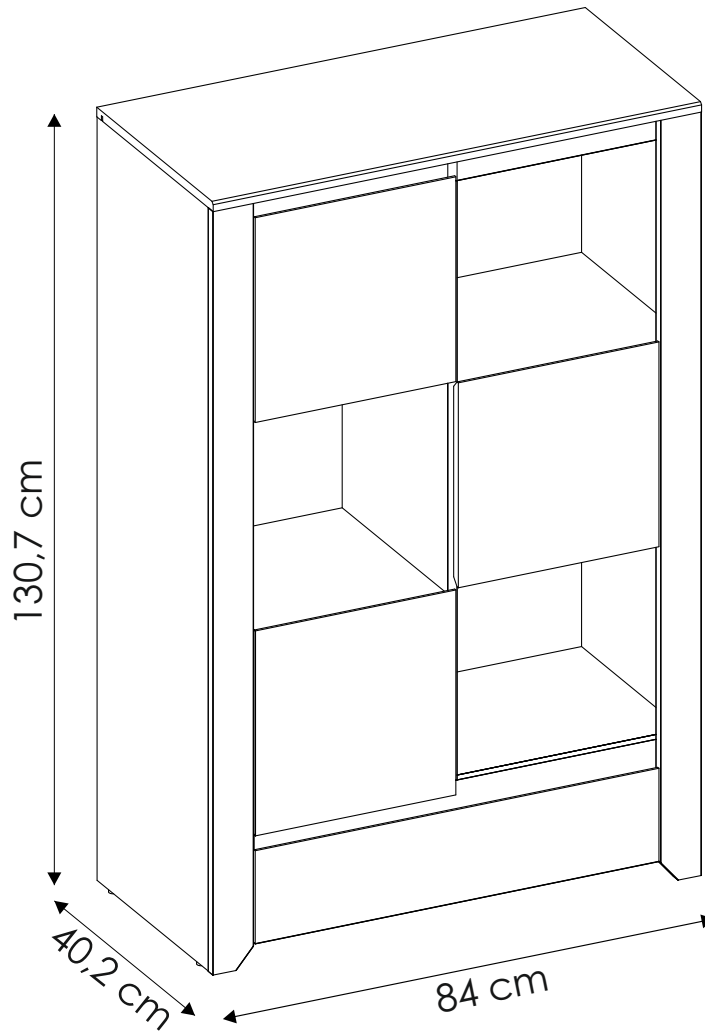
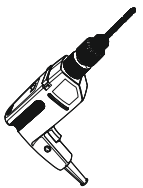
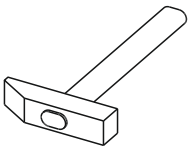
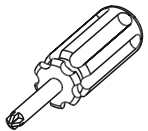
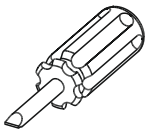
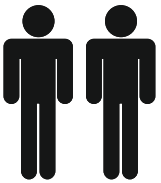
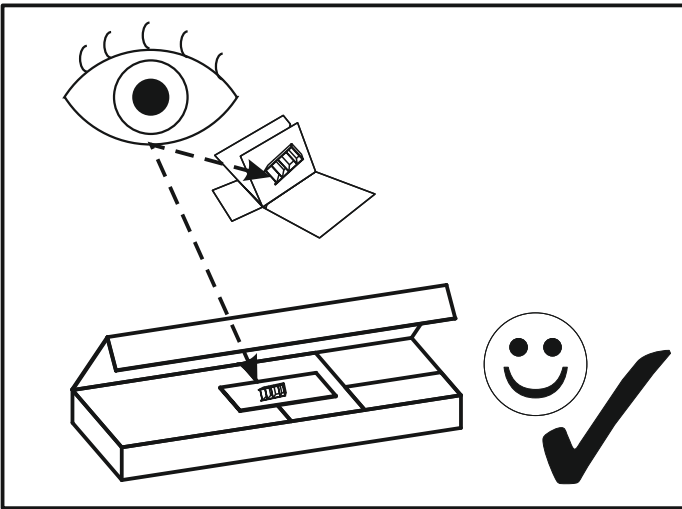
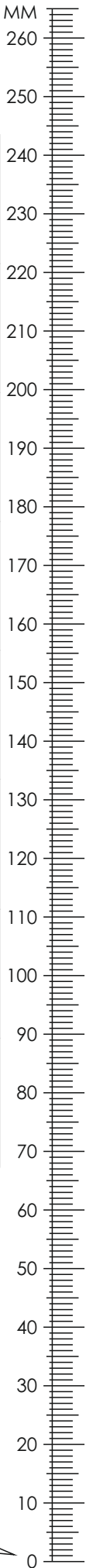



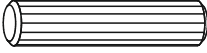
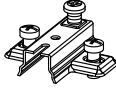
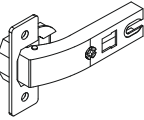


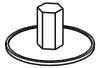

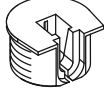

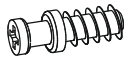

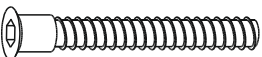



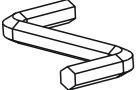






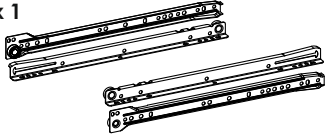
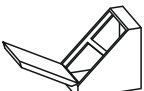
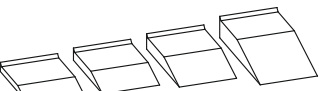
# ANGEL 31

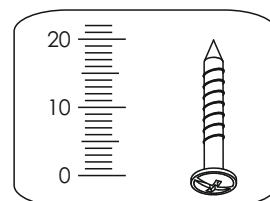




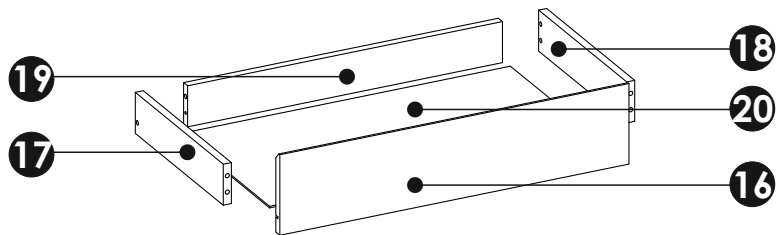
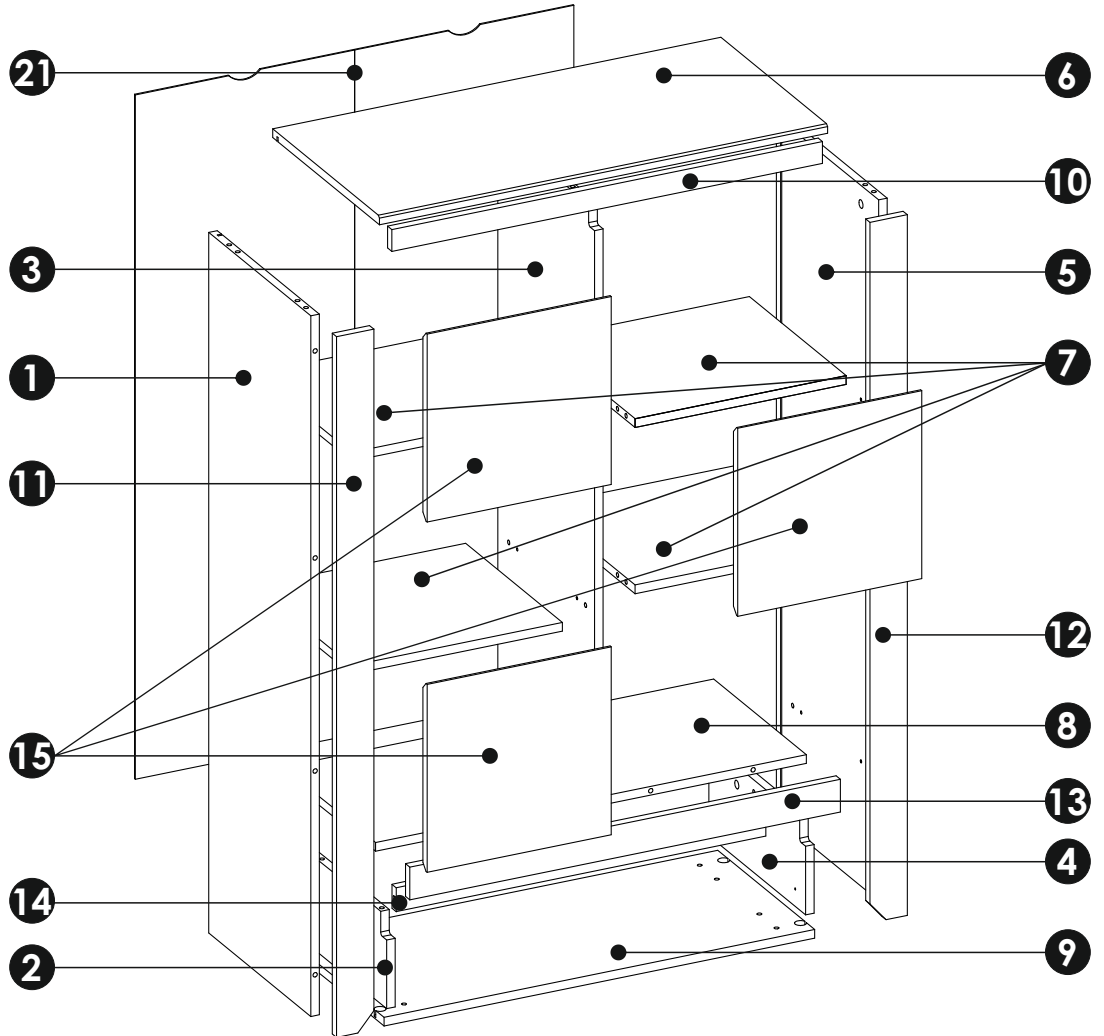
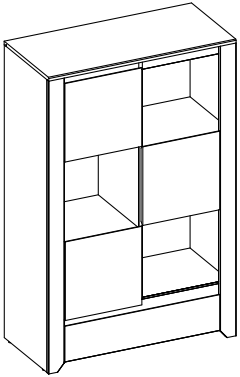
# ANGEL 31



<p><b>A1</b> x 40 <math>\varnothing</math>8 x 35 mm</p> 	<p><b>A2</b> x 2 <math>\varnothing</math>8 x 45 mm</p> 	<p><b>BR2</b> x 6</p> 
<p><b>BR3</b> x 6</p> 	<p><b>C1</b> x 12 4 x 13 mm</p> 	<p><b>C2</b> x 4 5 x 13 mm</p> 
<p><b>E0</b> x 44</p> 	<p><b>E1</b> x 44 <math>\varnothing</math>15 x 12 mm</p> 	<p><b>E2</b> x 7</p> 
<p><b>F1</b> x 44</p> 	<p><b>F2</b> x 7</p> 	<p><b>G0</b> x 8</p> 
<p><b>G1</b> x 8 <math>\varnothing</math>7 x 50 mm</p> 	<p><b>I2</b> x 2 4 x 16 mm</p> 	<p><b>I5</b> x 2 3,5 x 30mm</p> 
<p><b>J1</b> x 6 3 x 20mm</p> 	<p><b>M</b> x 1</p> 	<p><b>N1</b> x 20 3 x 16 mm</p> 
<p><b>N2</b> x 6 3,5 x 16 mm</p> 	<p><b>O2</b> x 4</p> 	<p><b>Q9</b> x 2</p> 
<p><b>R4</b> x 13</p> 	<p><b>R10</b> x 8</p> 	<p><b>T3</b> x 1</p> 
<p><b>W</b> x 3</p> 	<p><b>Z</b> x 1</p> 	



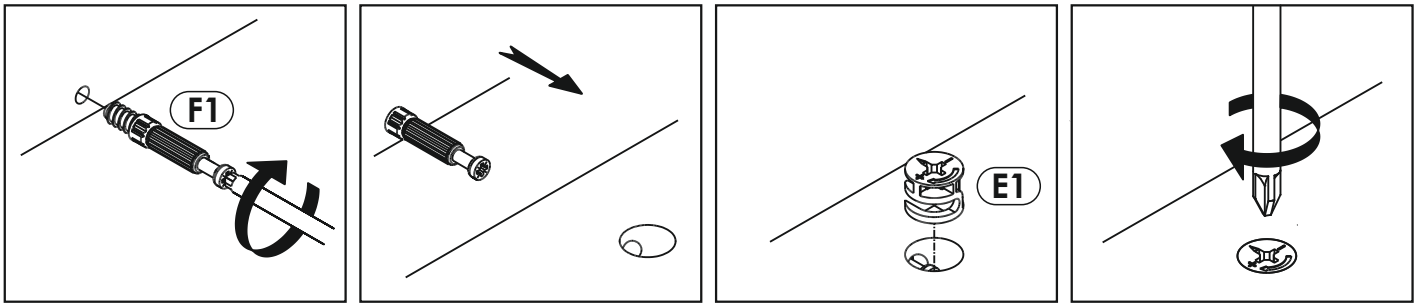
# ANGEL 31



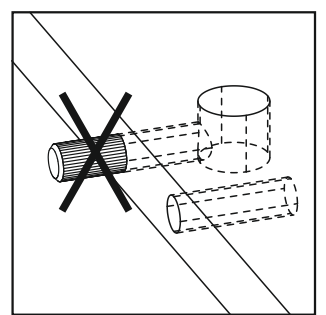
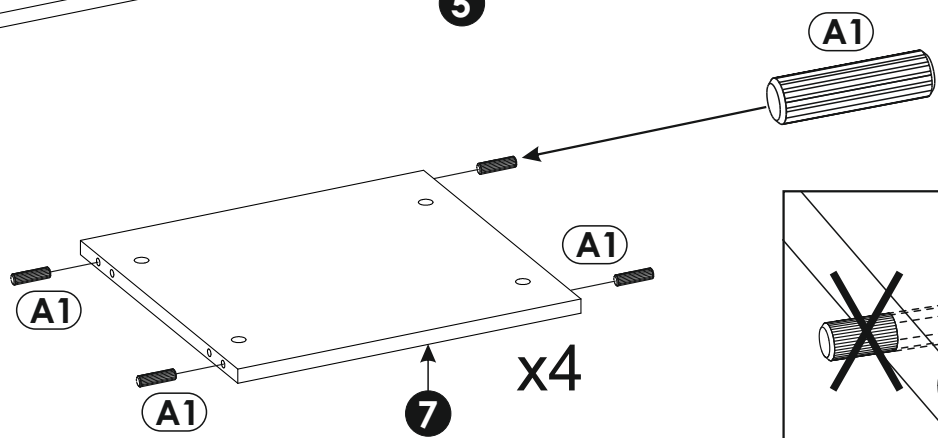
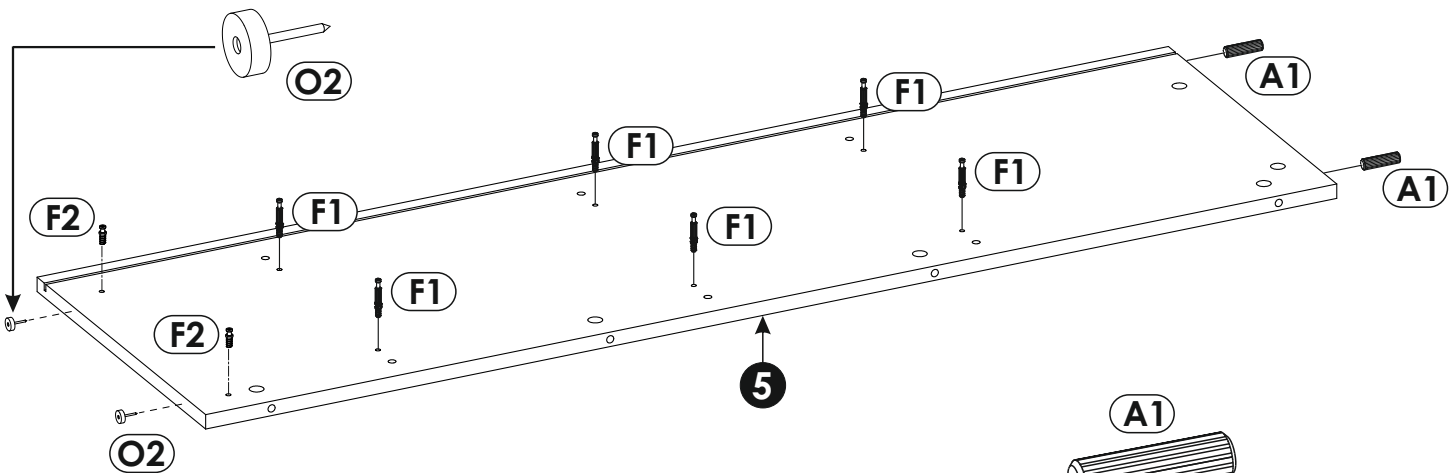
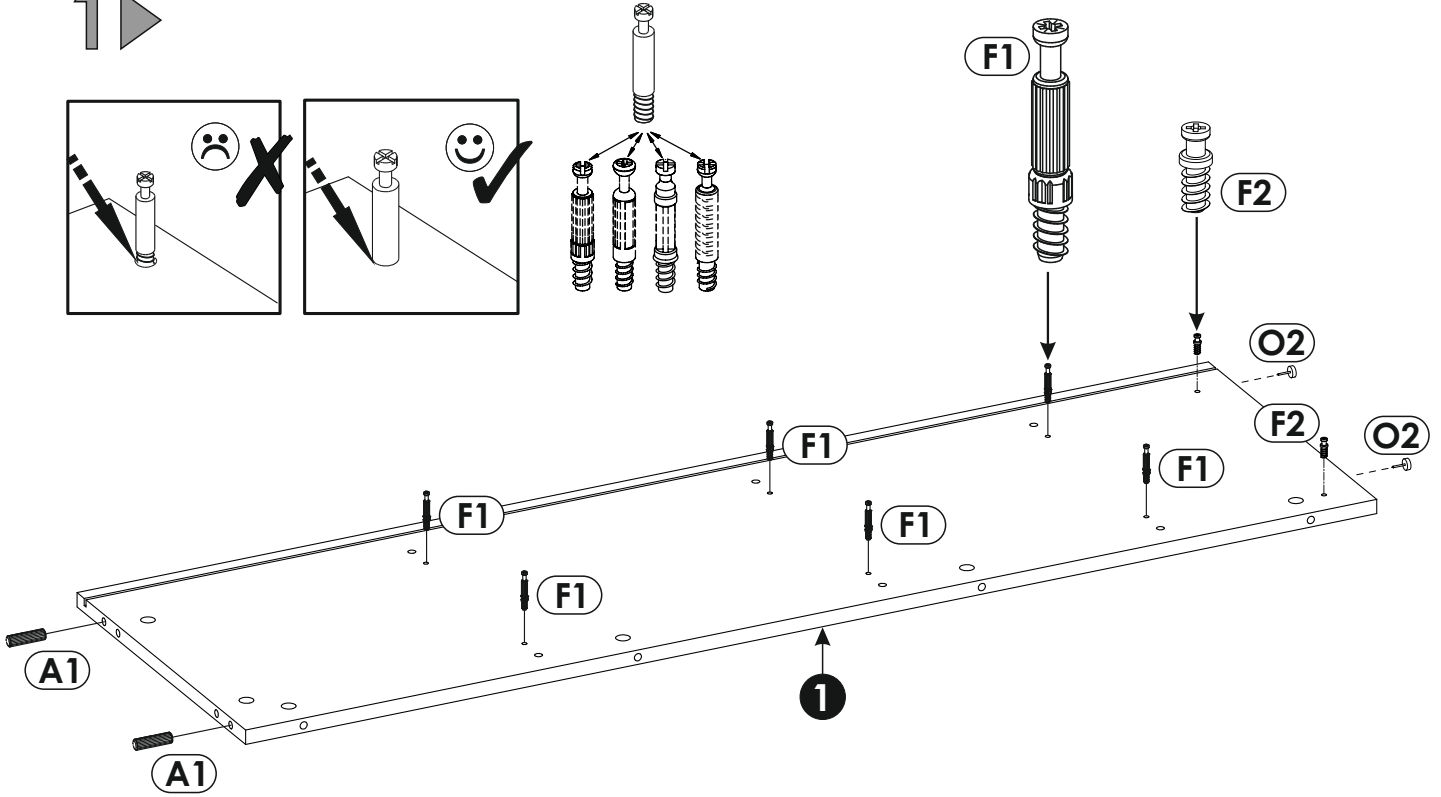
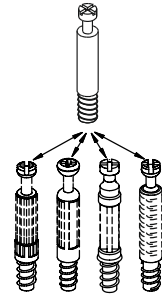
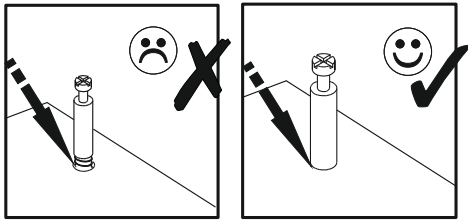
<b>1</b>	1286	383	16	x1	2/2
<b>2</b>	363	170	16	x1	2/2
<b>3</b>	1049	363	16	x1	2/2
<b>4</b>	363	170	16	x1	2/2
<b>5</b>	1286	383	16	x1	2/2
<b>6</b>	840	402	16	x1	1/2
<b>7</b>	395	363	16	x4	1/2

<b>8</b>	807	347	16	x1	1/2
<b>9</b>	807	363	16	x1	1/2
<b>10</b>	807	40	16	x1	1/2
<b>11</b>	1286	70	16	x1	2/2
<b>12</b>	1286	70	16	x1	2/2
<b>13</b>	807	60	16	x1	1/2
<b>14</b>	682	44	16	x1	1/2

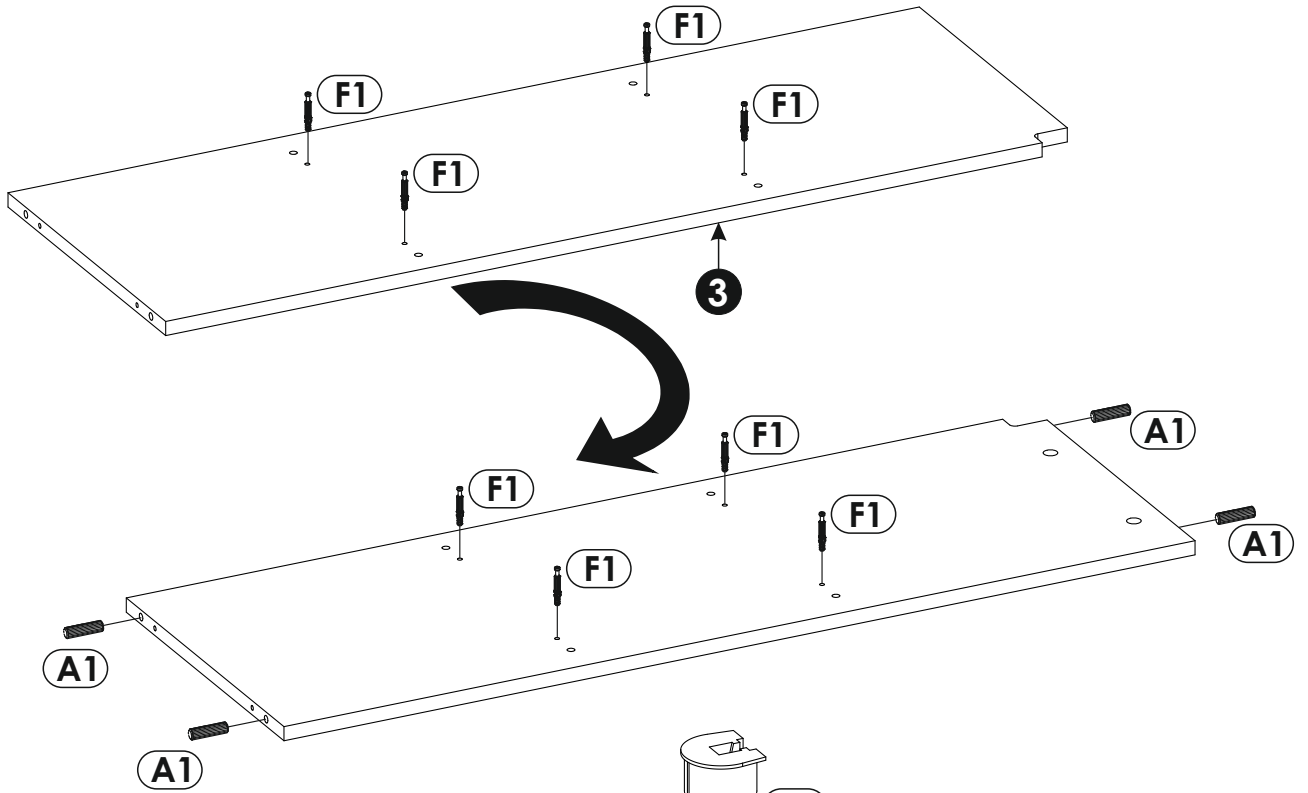
<b>15</b>	345	345	16	x3	2/2
<b>16</b>	694	157	16	x1	1/2
<b>17</b>	350	80	16	x1	1/2
<b>18</b>	350	80	16	x1	1/2
<b>19</b>	626	80	16	x1	1/2
<b>20</b>	656	355	3	x1	1/2
<b>21</b>	1256	822	3	x1	2/2



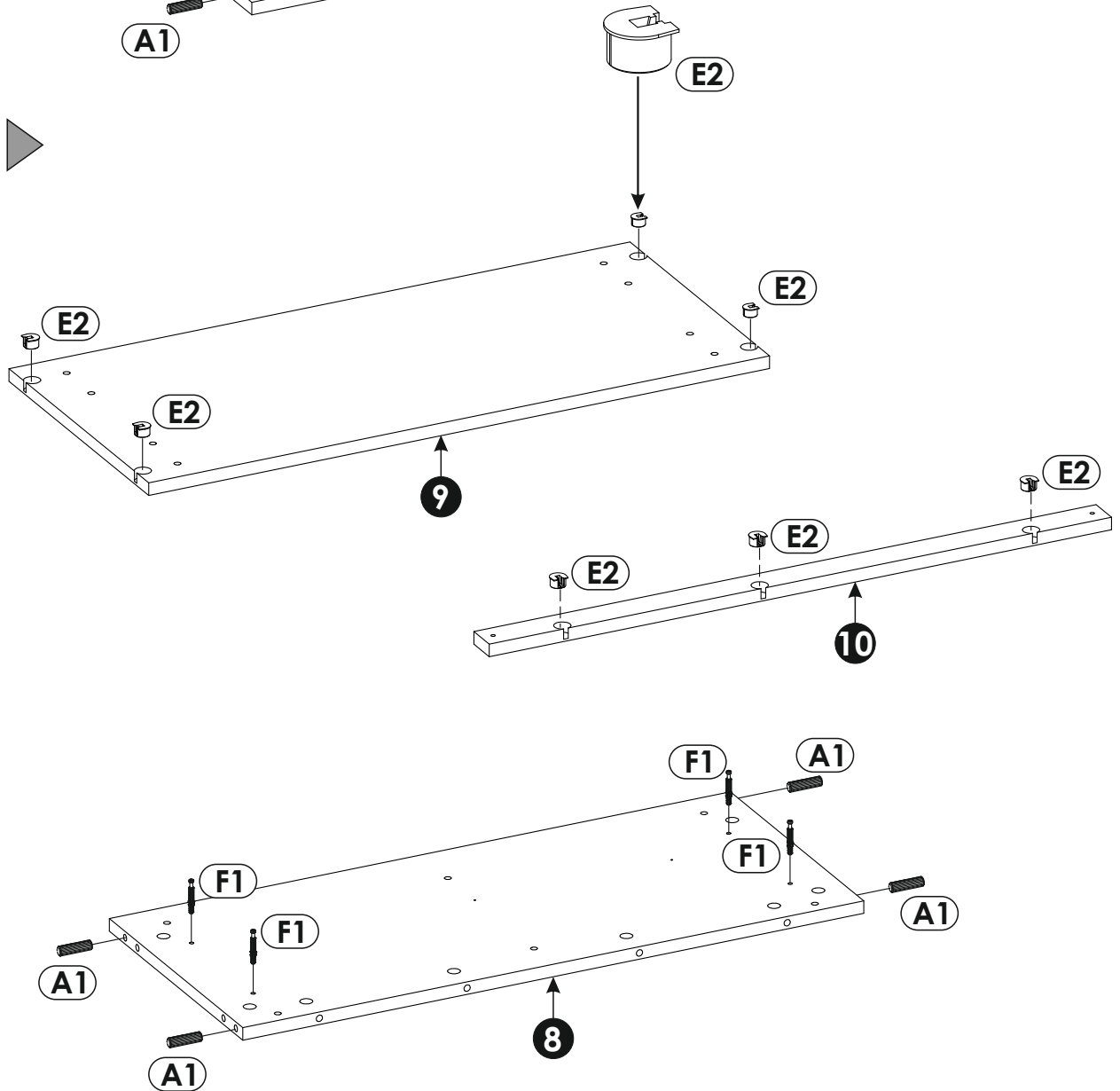
1 ▶



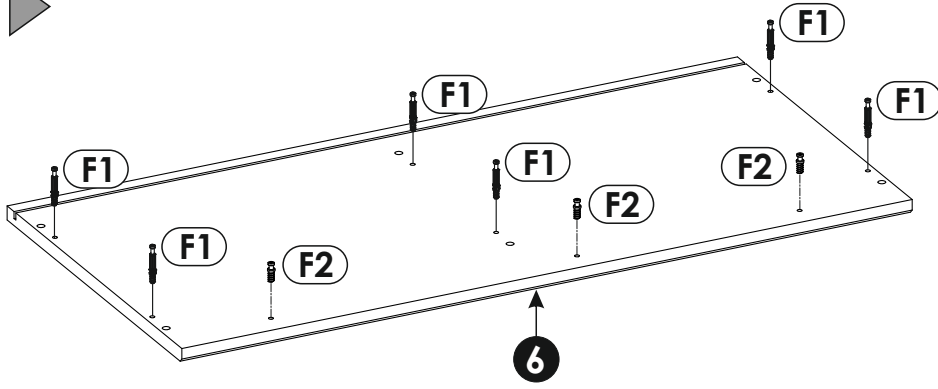
2 ▶



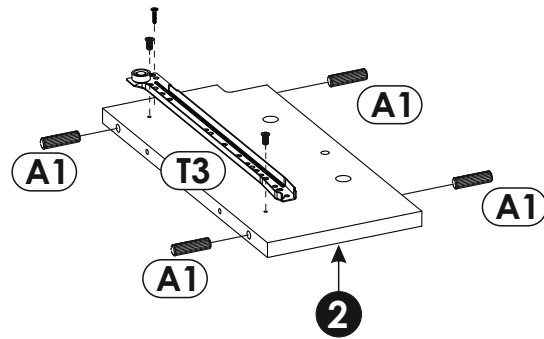
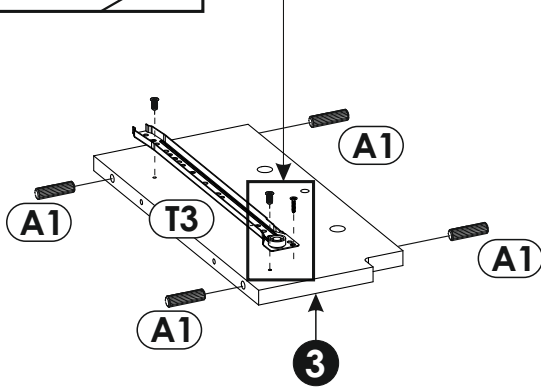
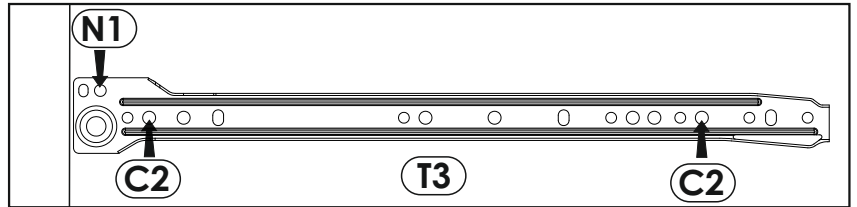
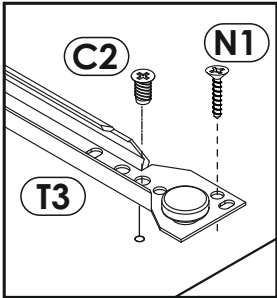
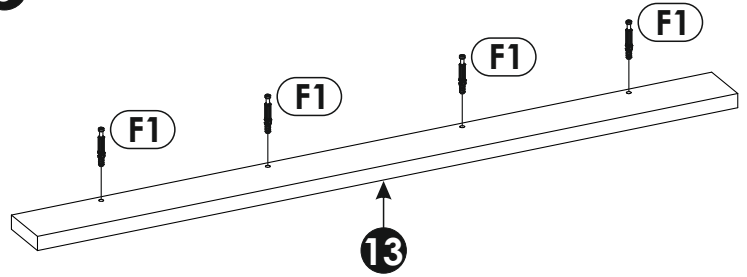
3 ▶



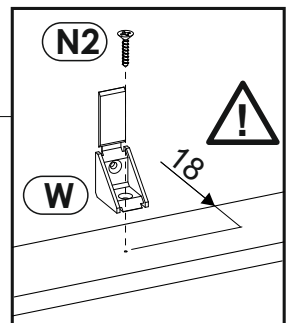
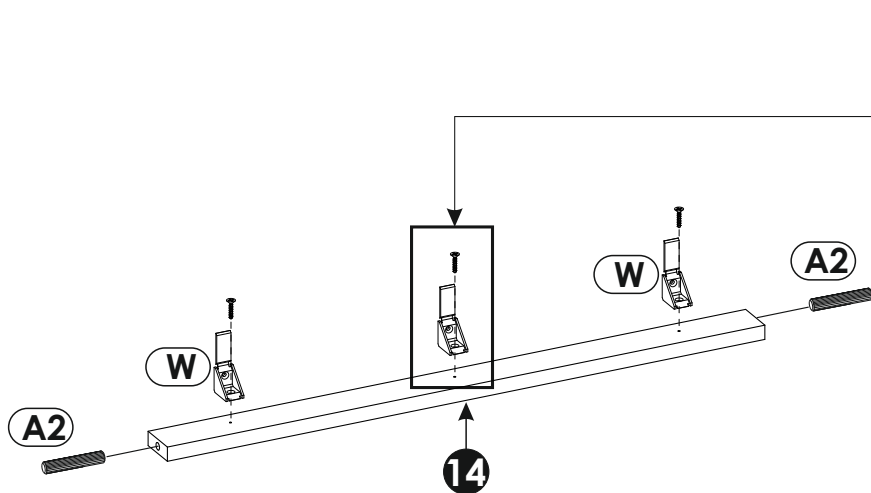
4 ▶



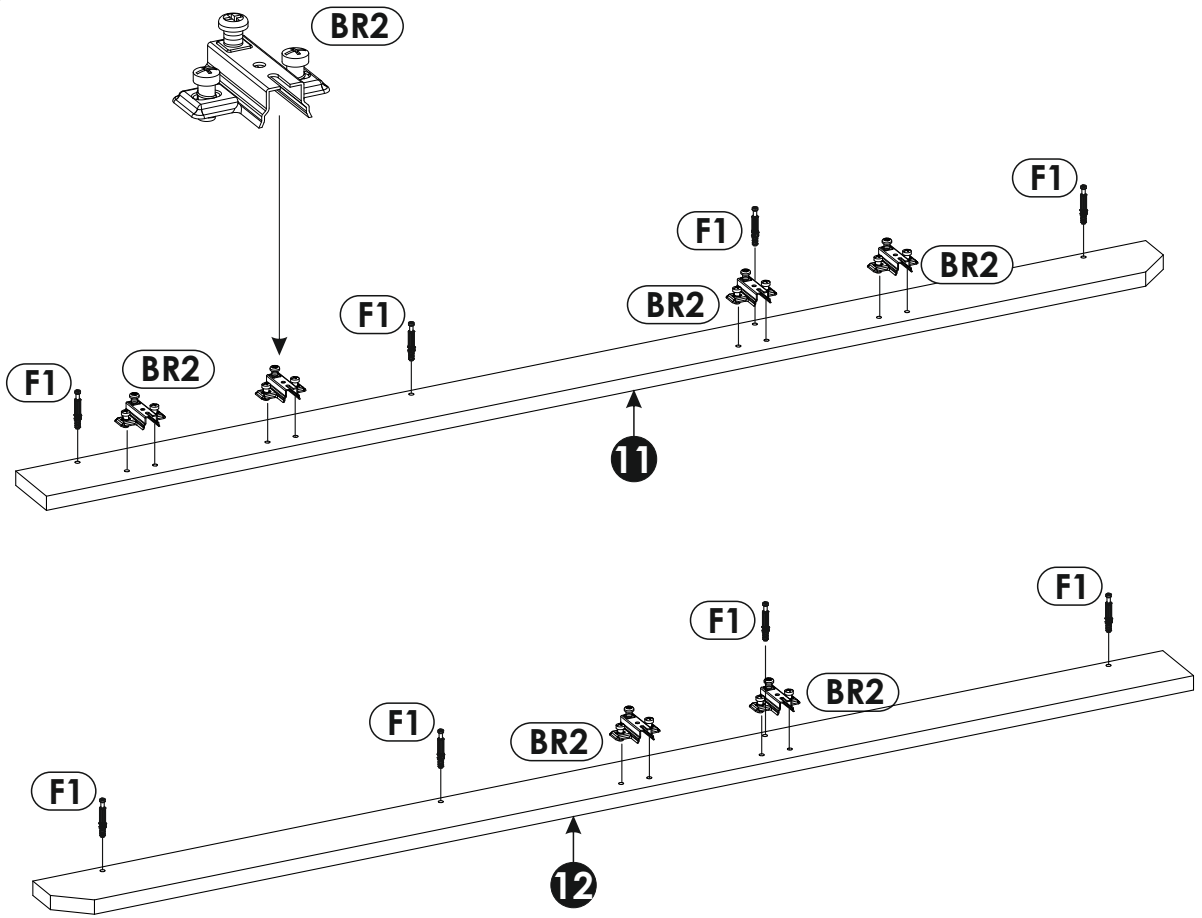
5 ▶



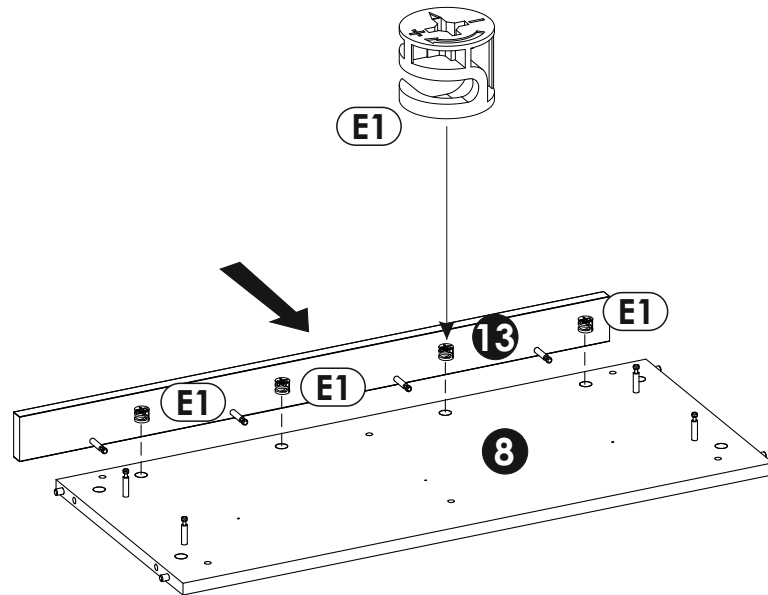
6 ▶



7 ▶

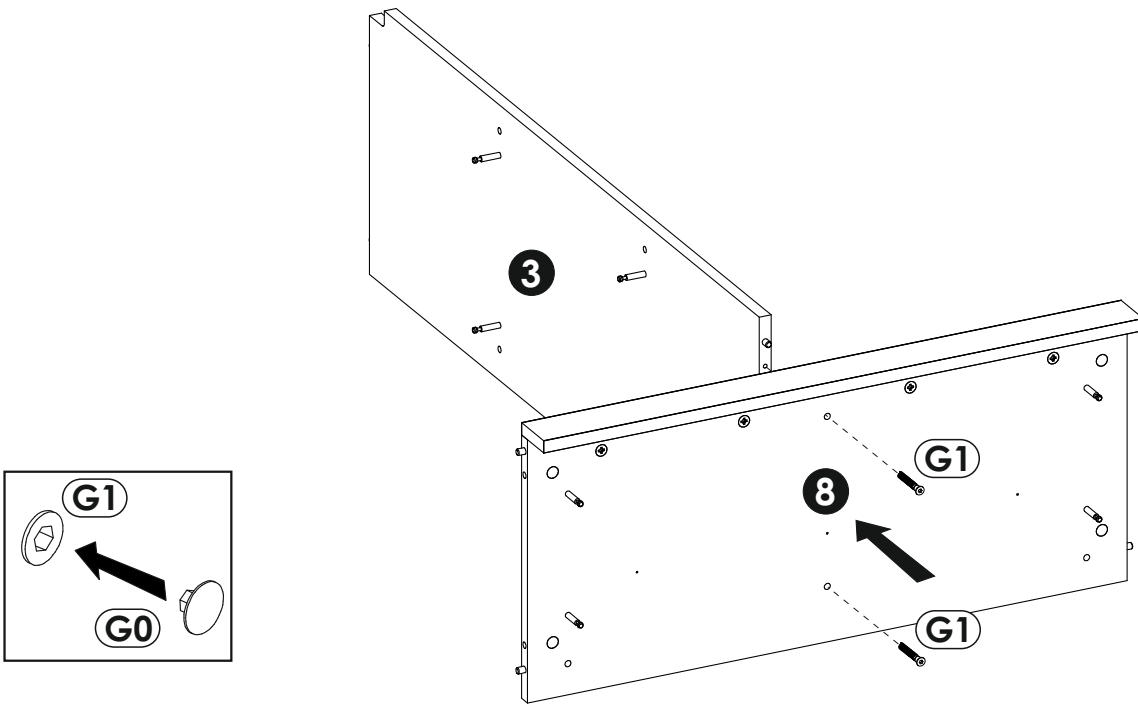


8 ▶

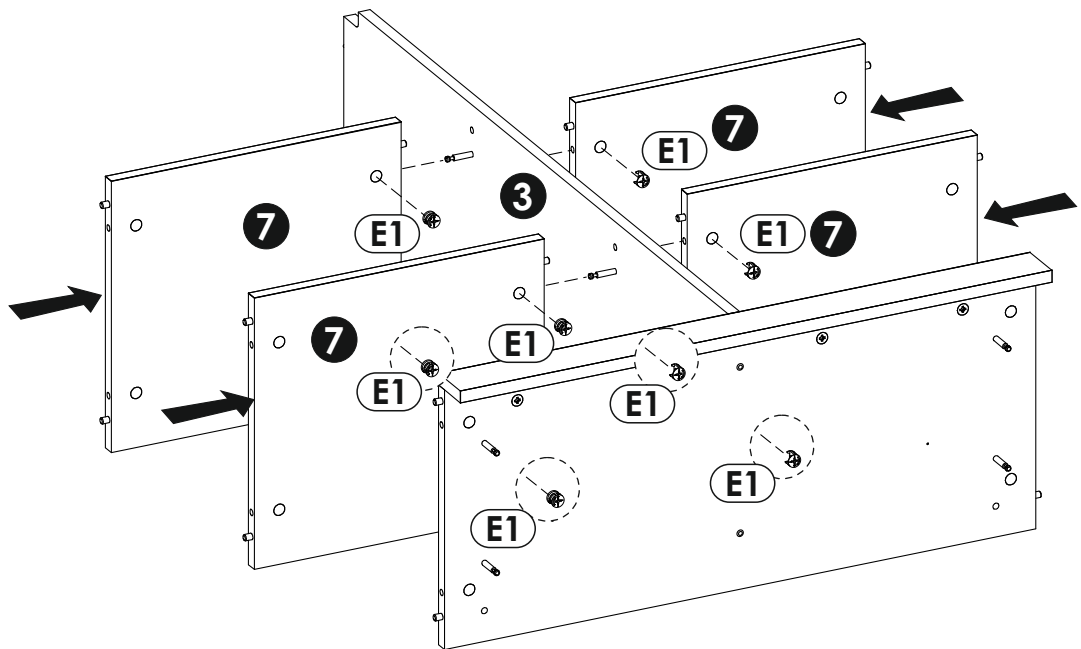




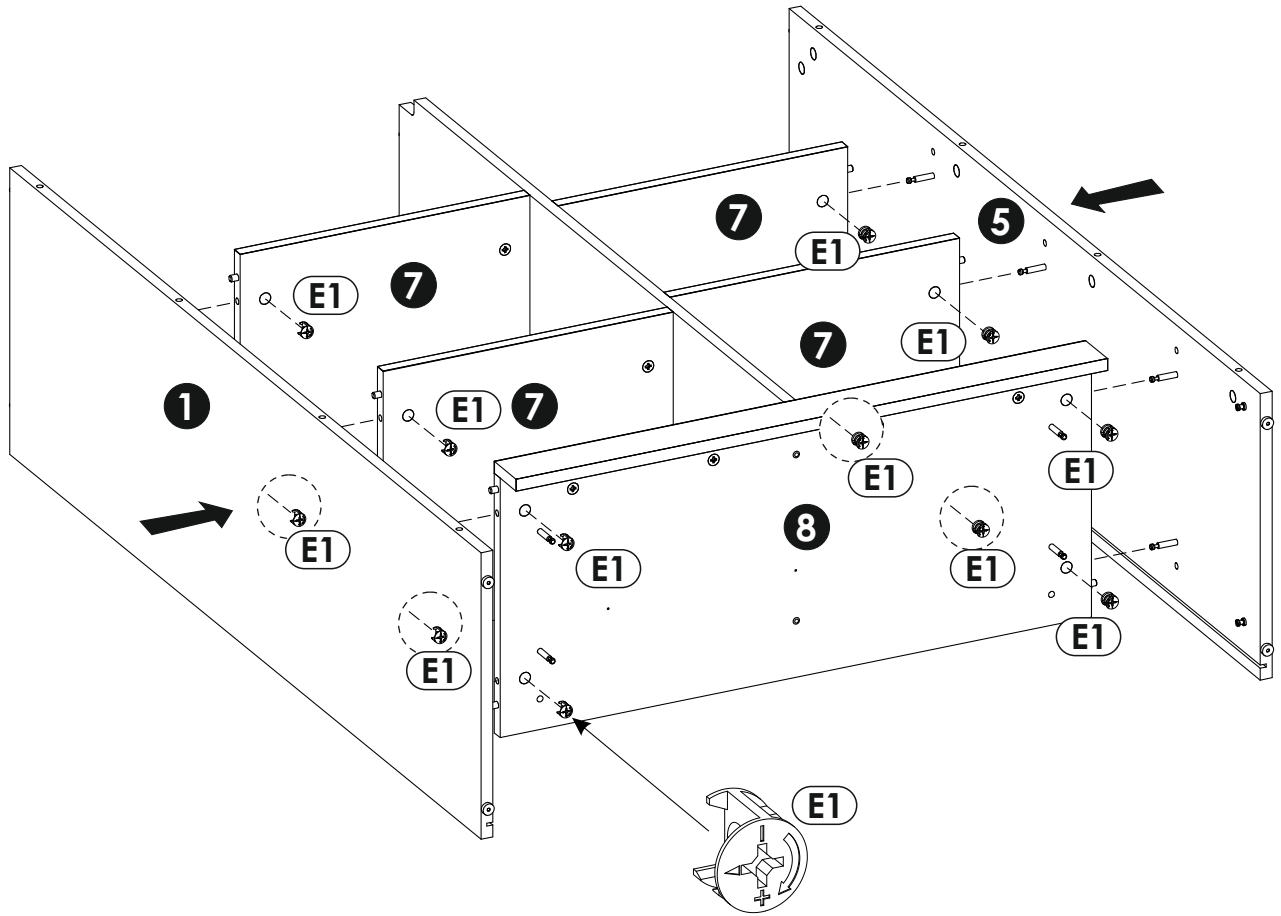
9 ▶



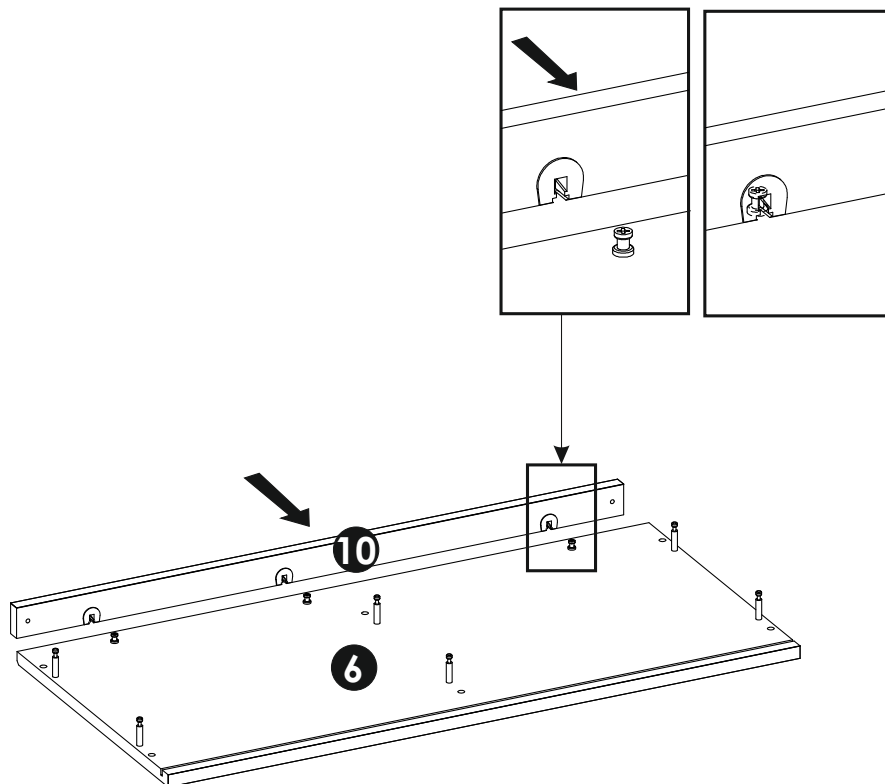
10 ▶



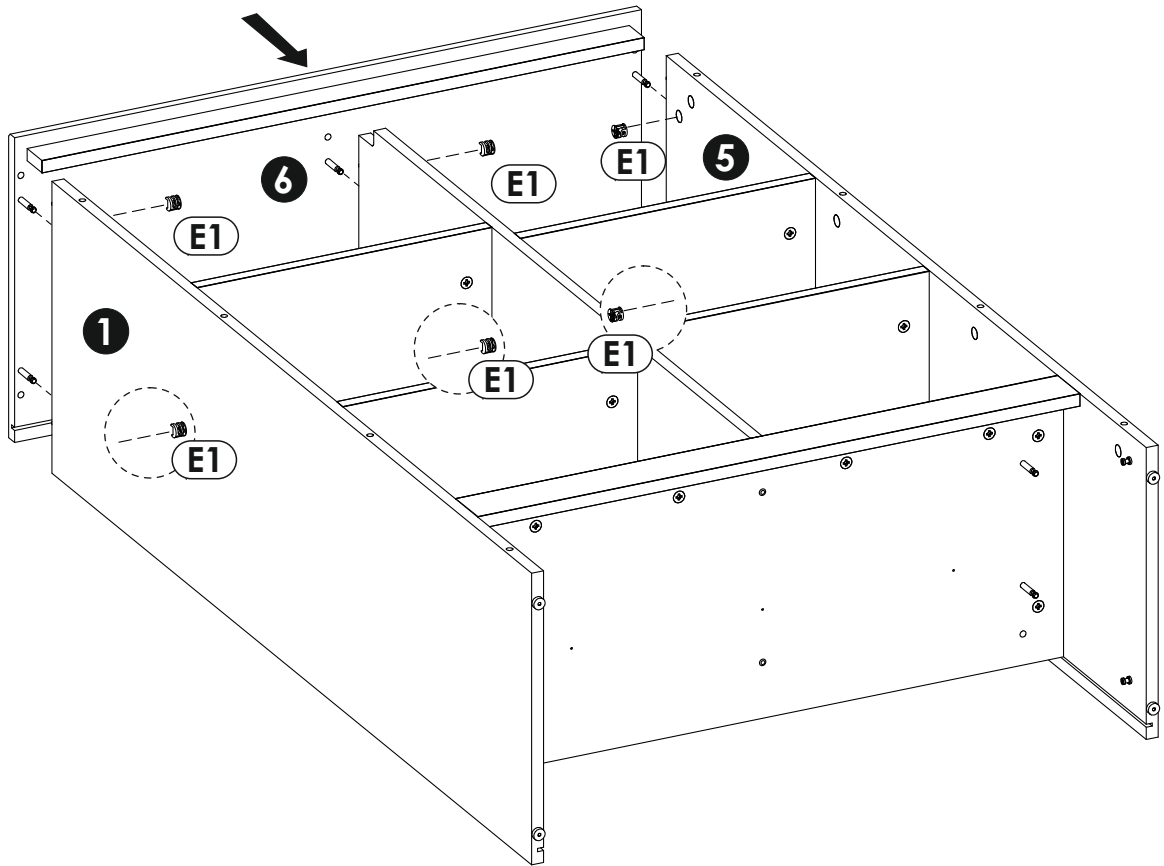
# 11 ▶



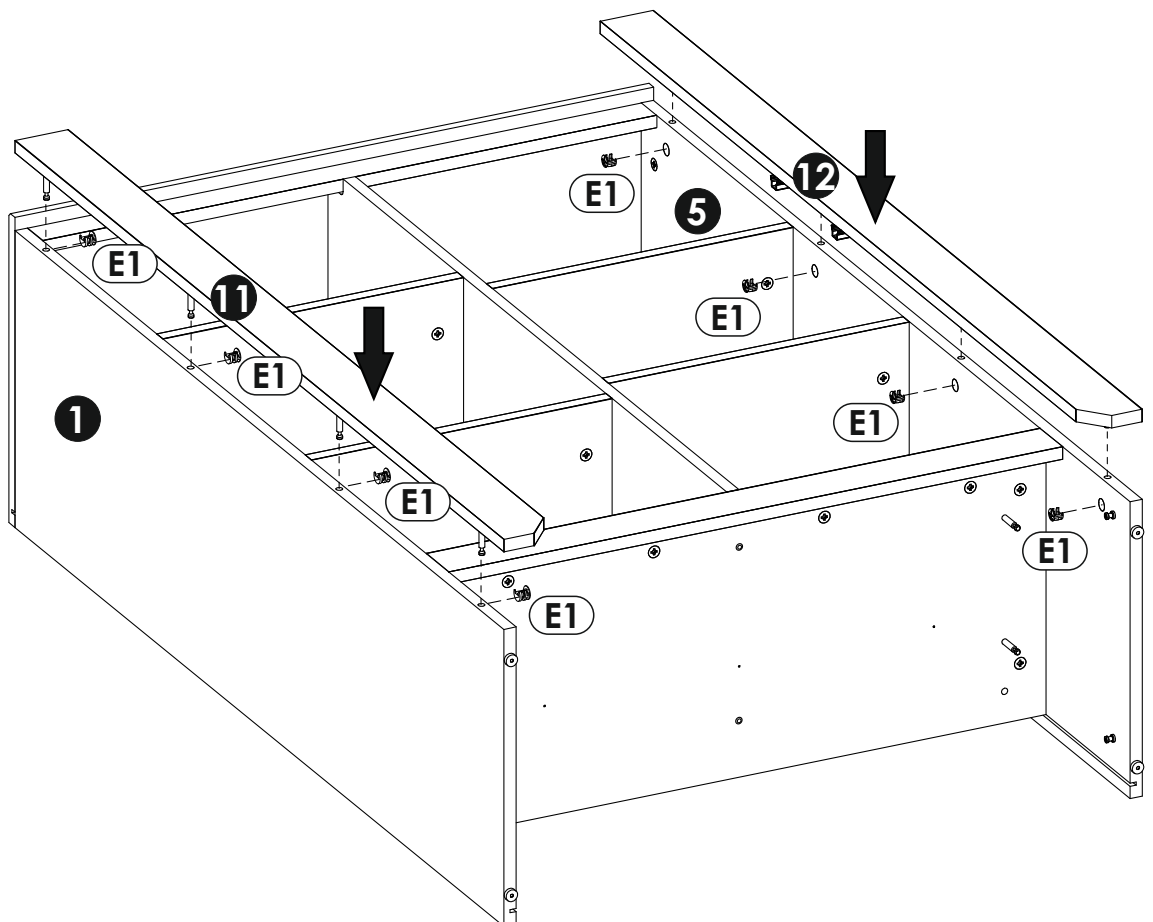
# 12 ▶



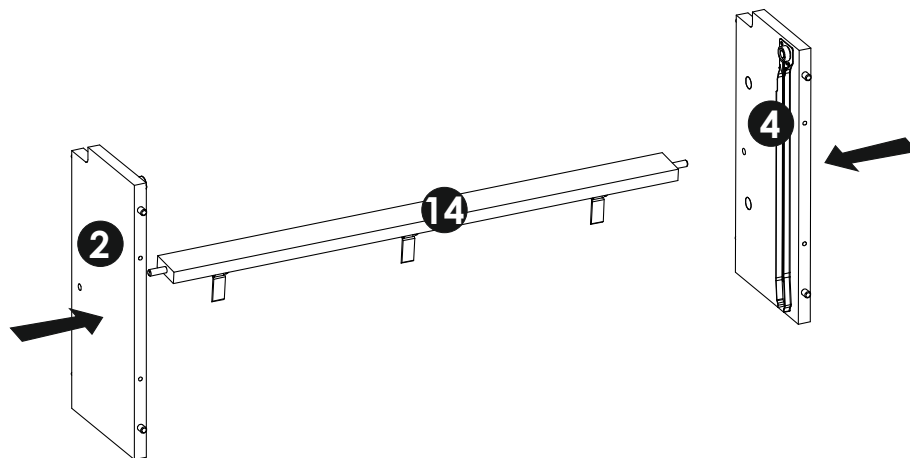
13▶



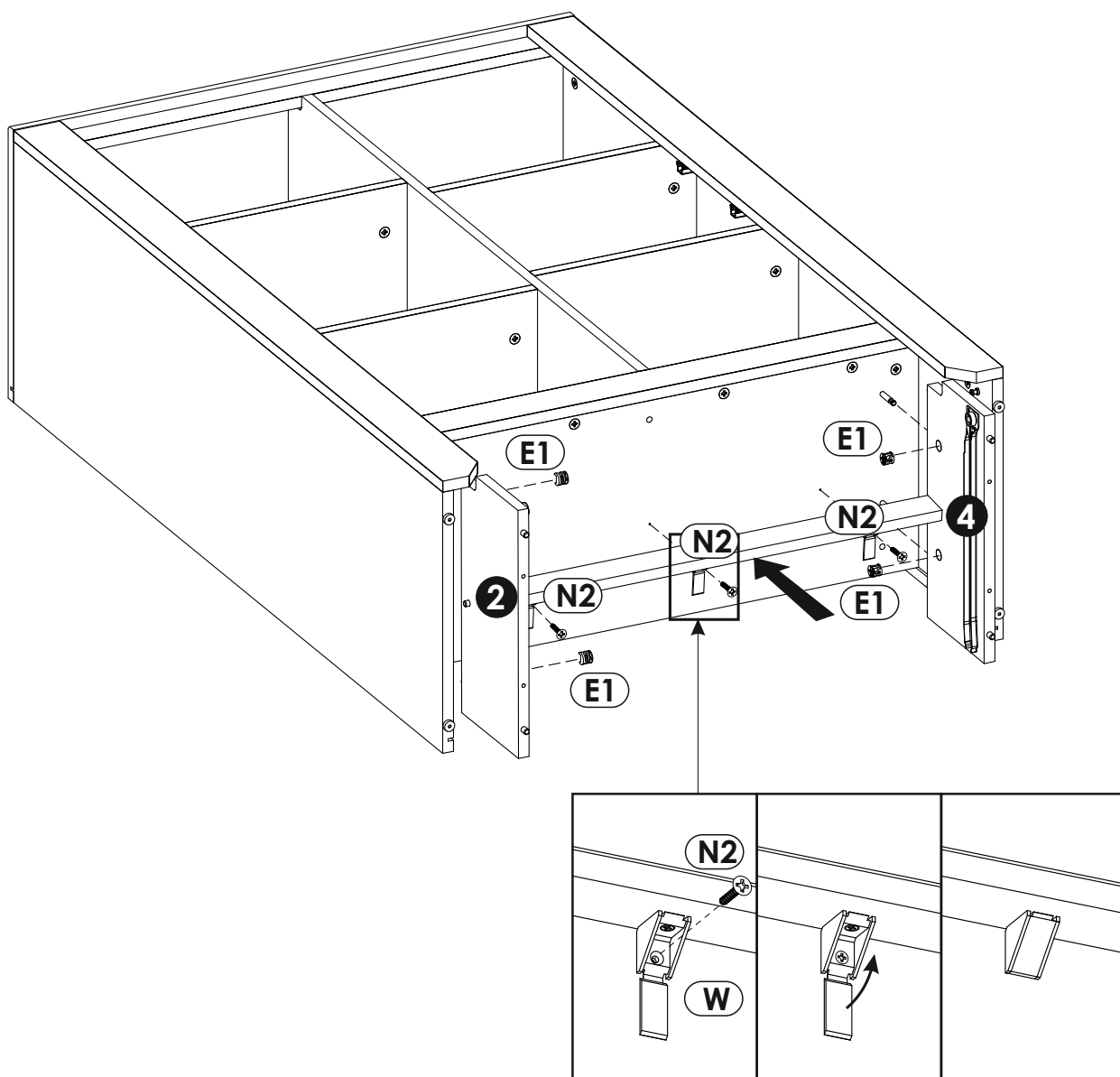
14▶



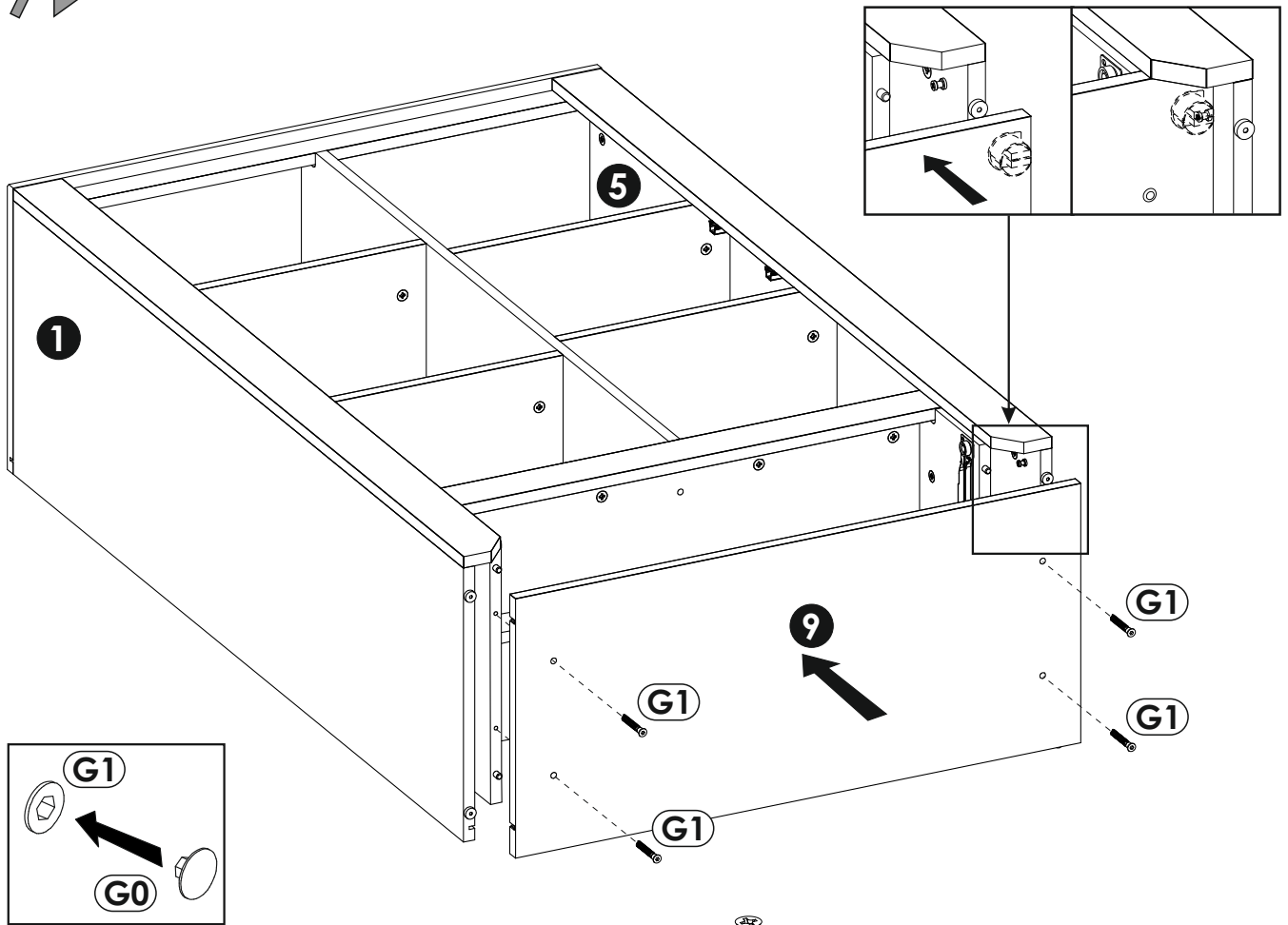
15▶



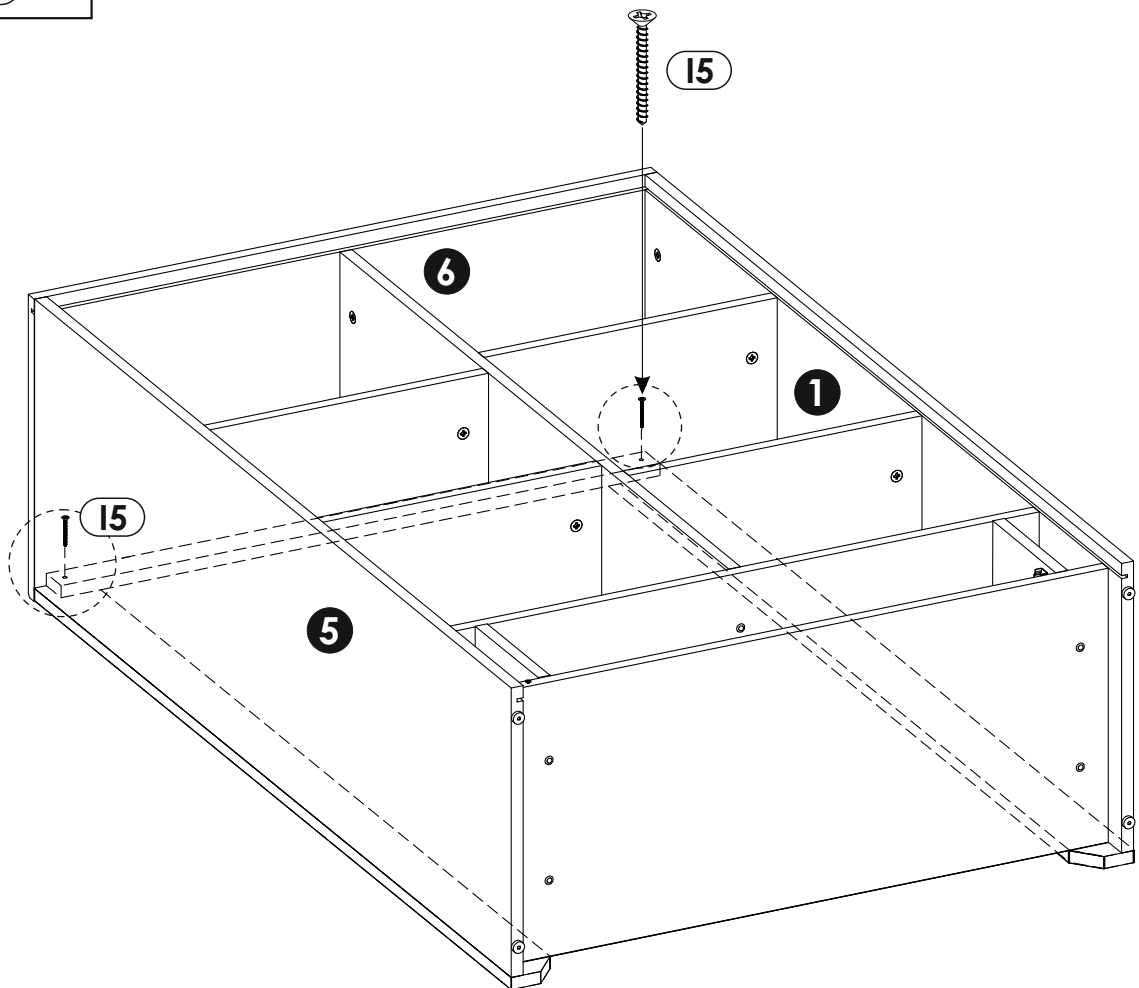
16▶



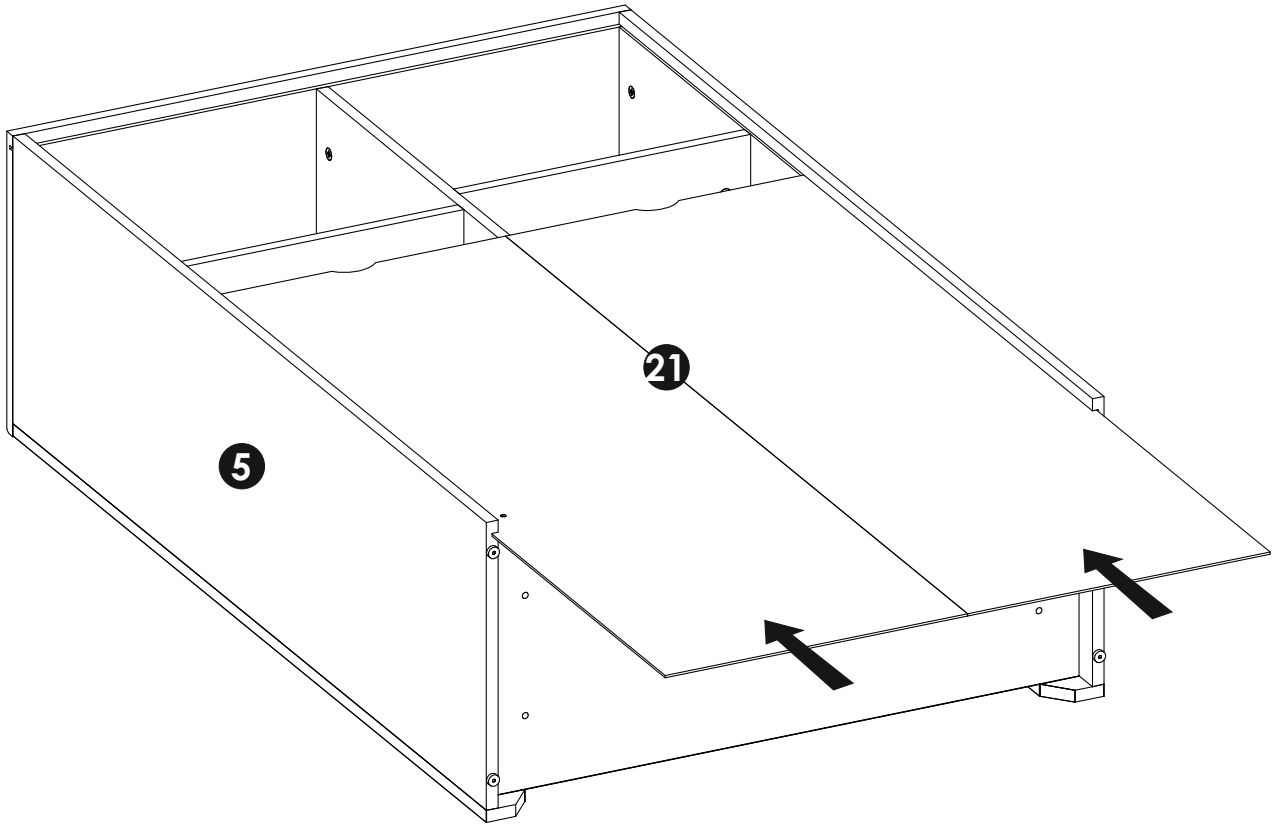
17▶



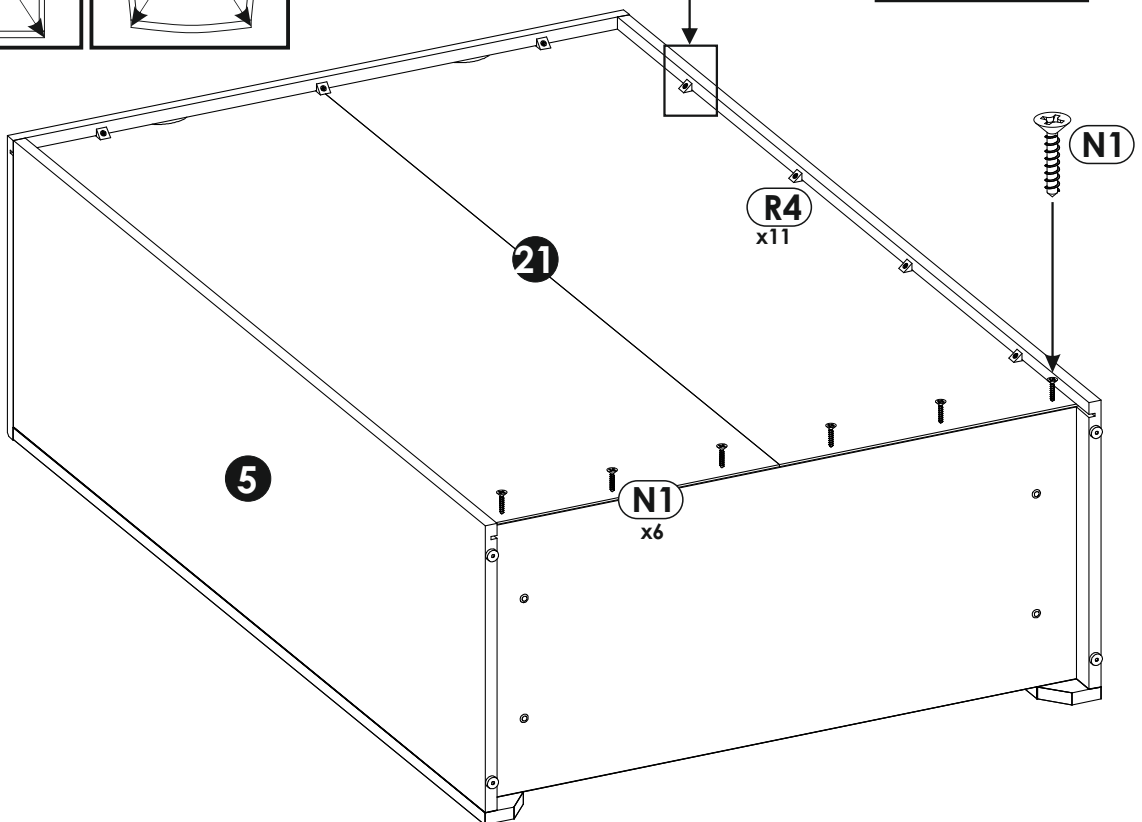
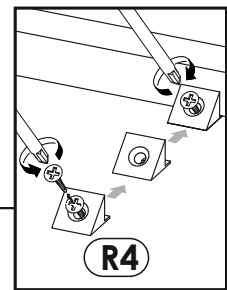
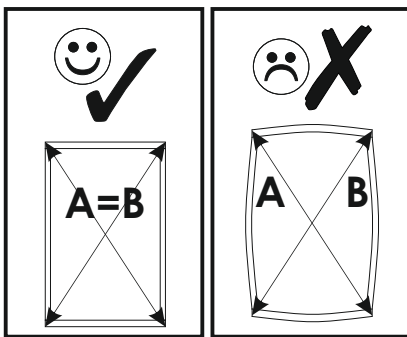
18▶

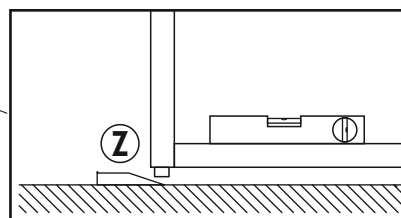
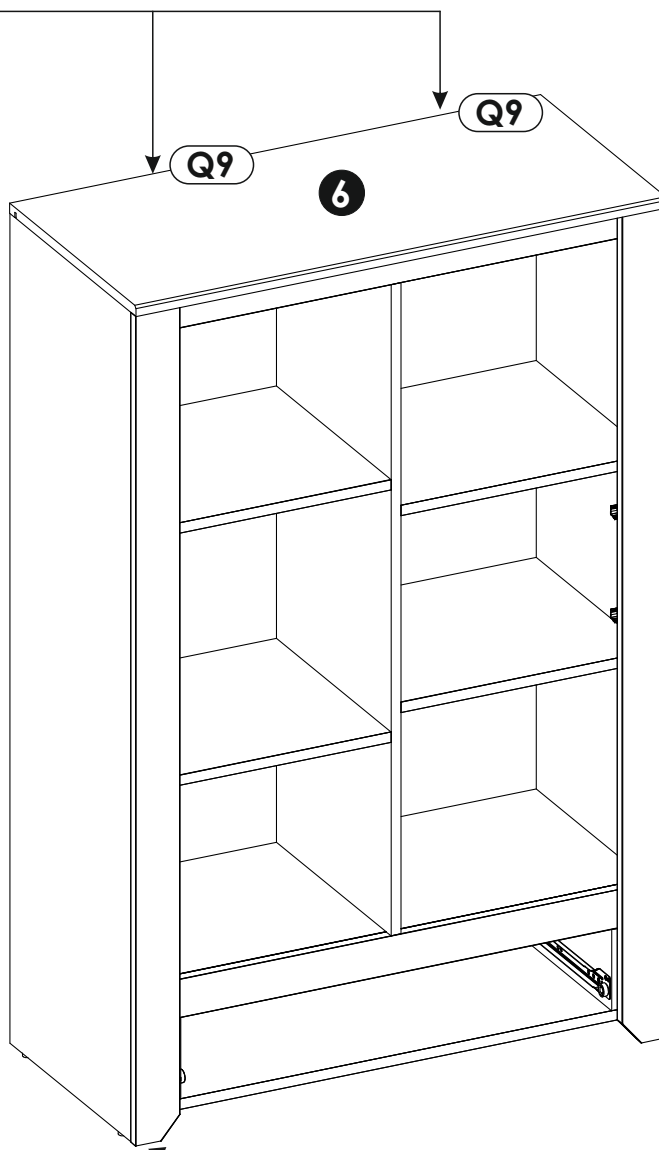
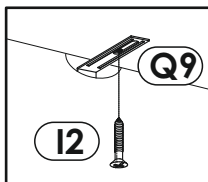
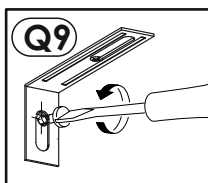
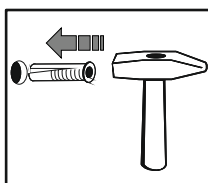
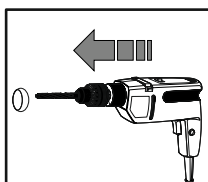
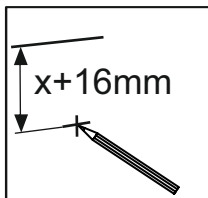
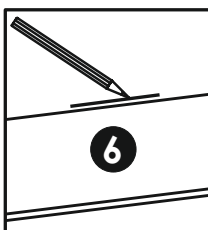
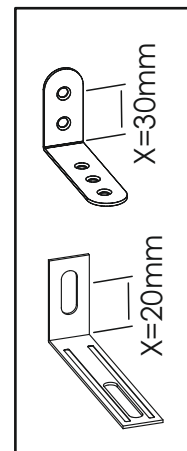
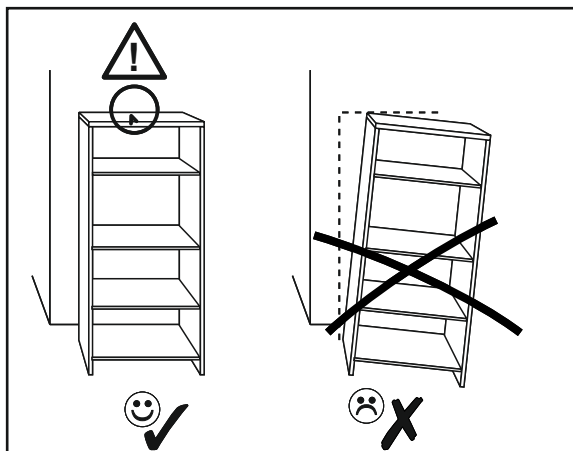


19 ▶

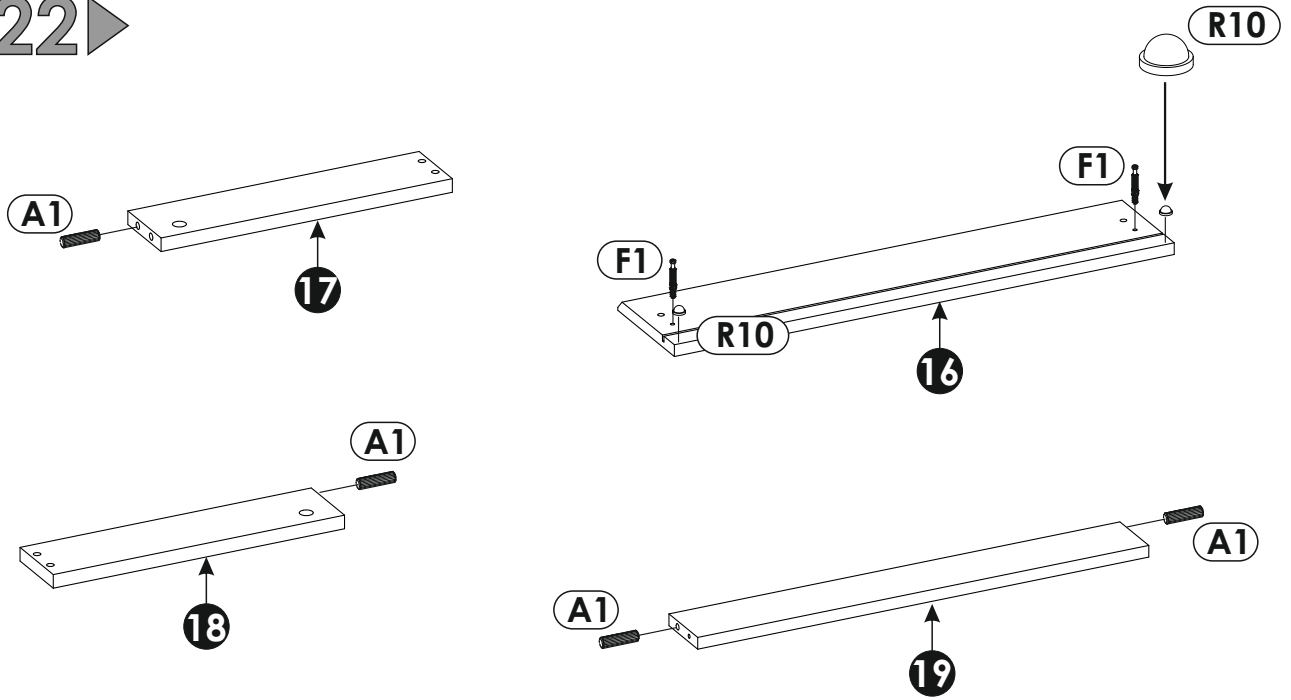


20 ▶

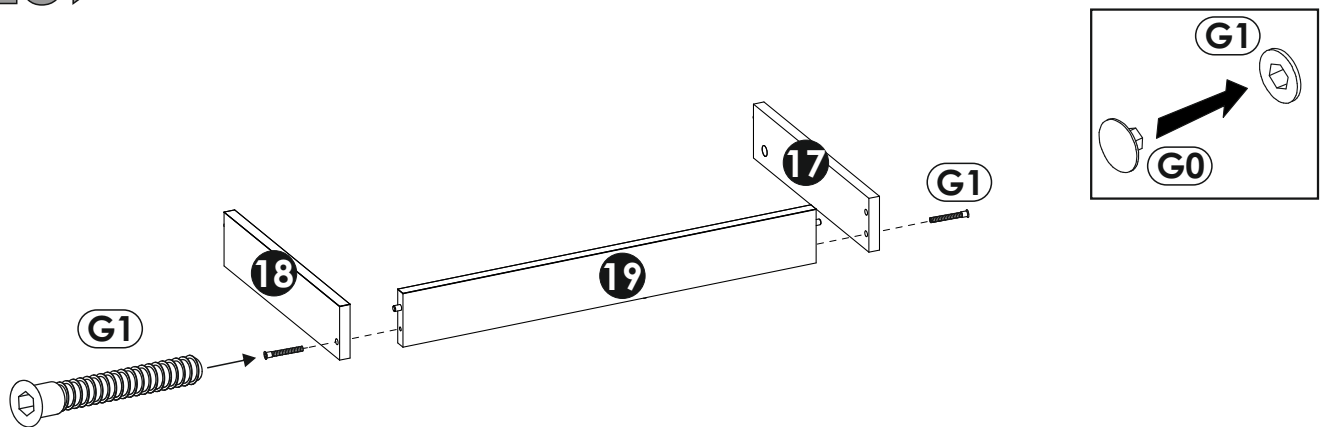




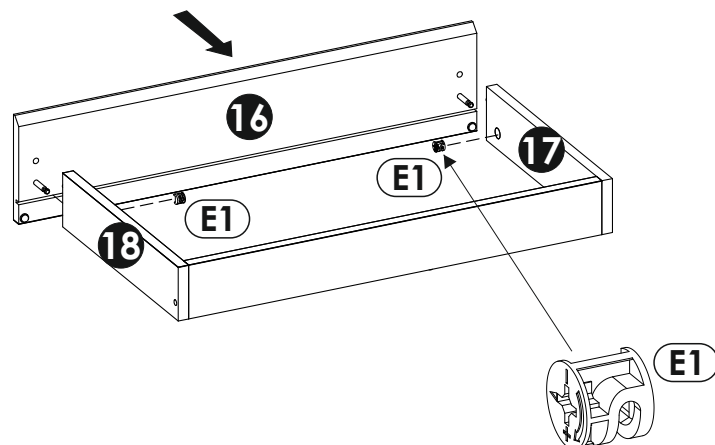
# 22 ▶



# 23 ▶

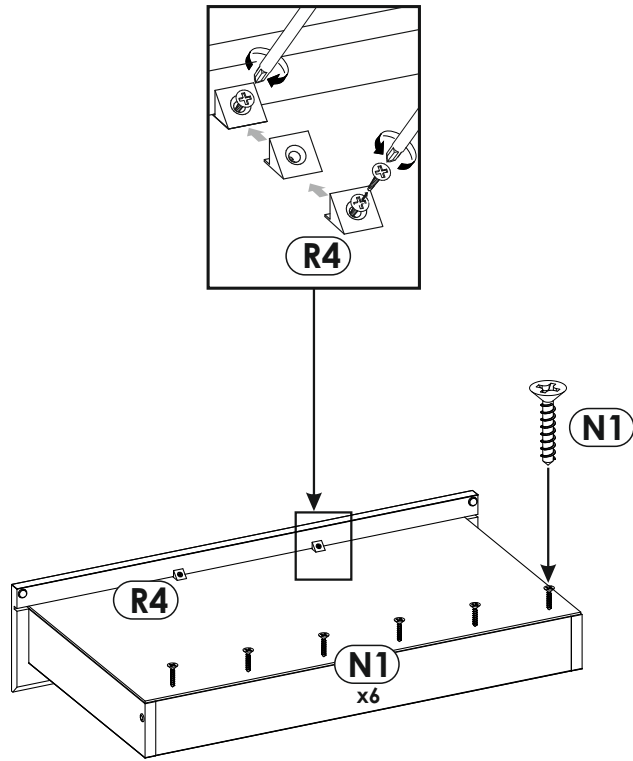
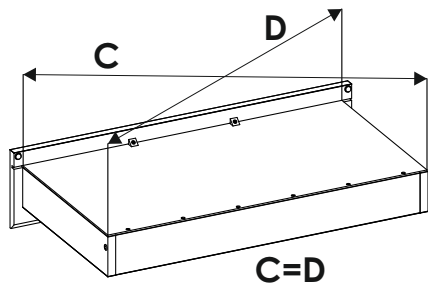


# 24 ▶

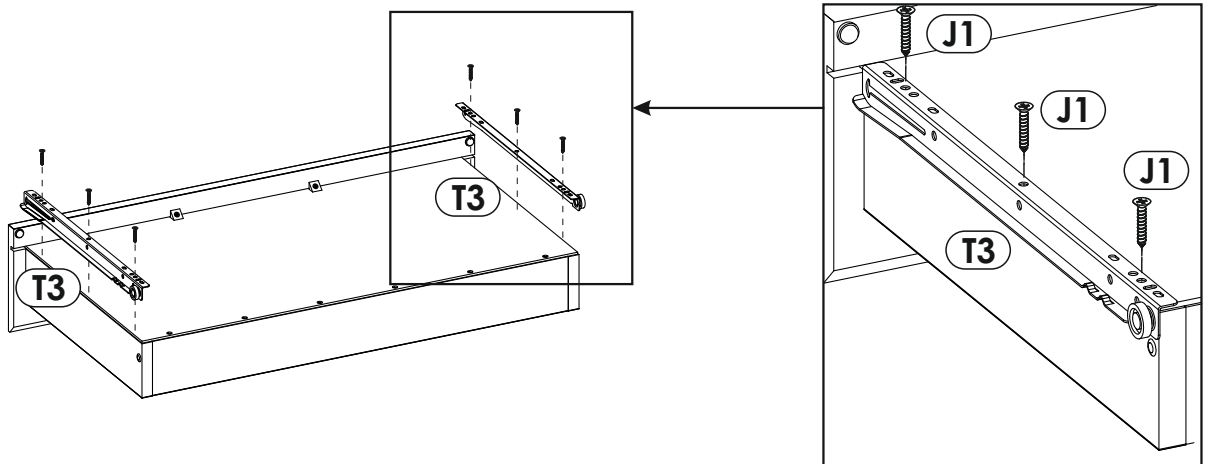




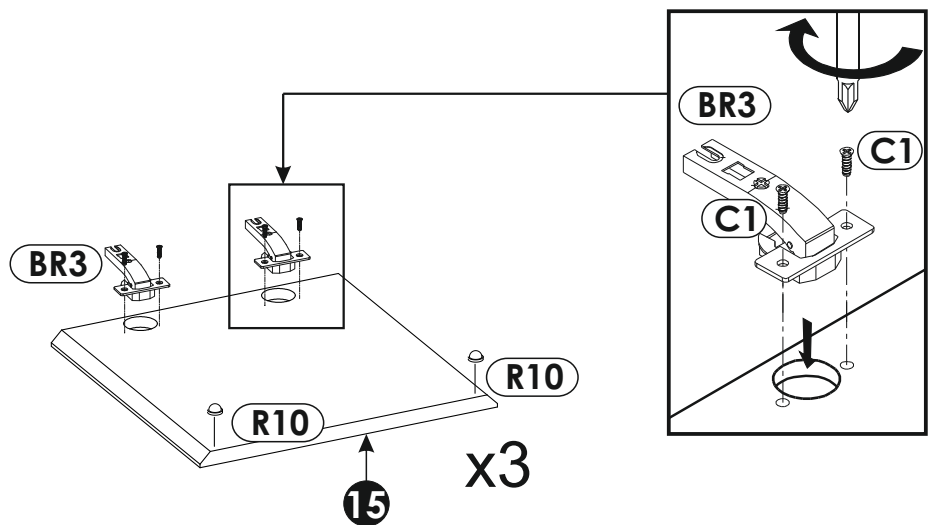
25▶



26▶



27▶



28 ▶

