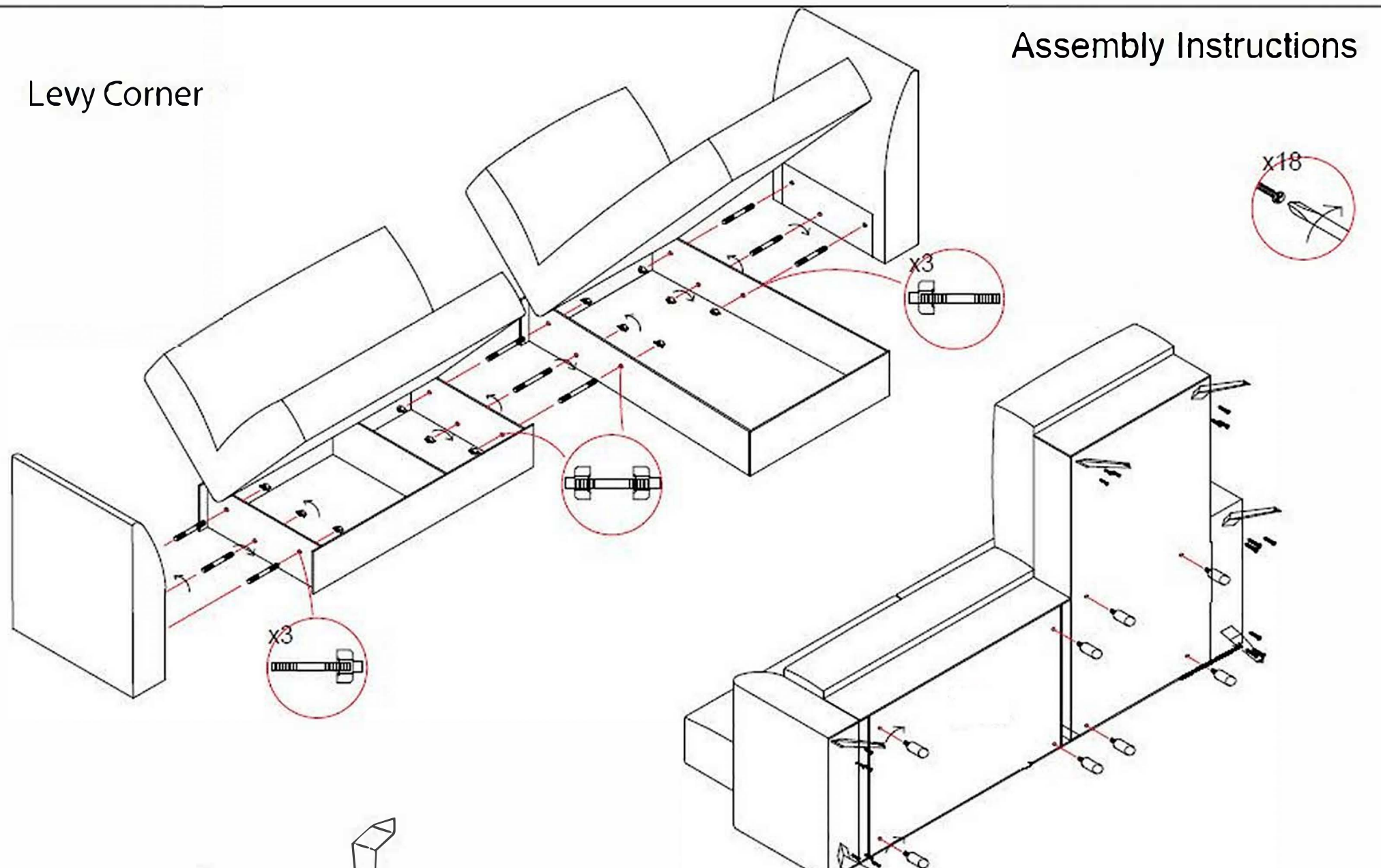


# Assembly Instructions

## Levy Corner



- x6
- x12
- x3
- x6
- x18
- x8