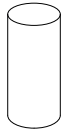
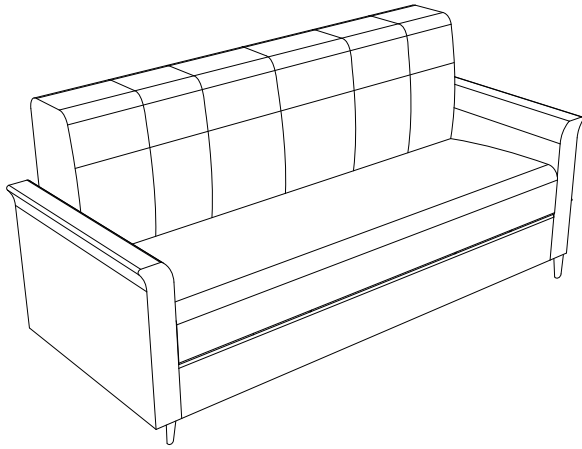
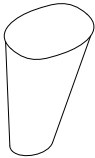


Levy Sofa



Hidden Leg(5)



Leg(4)



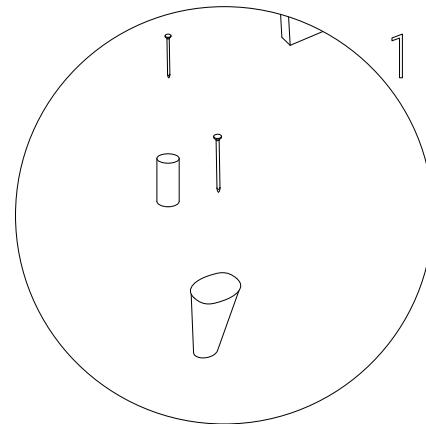
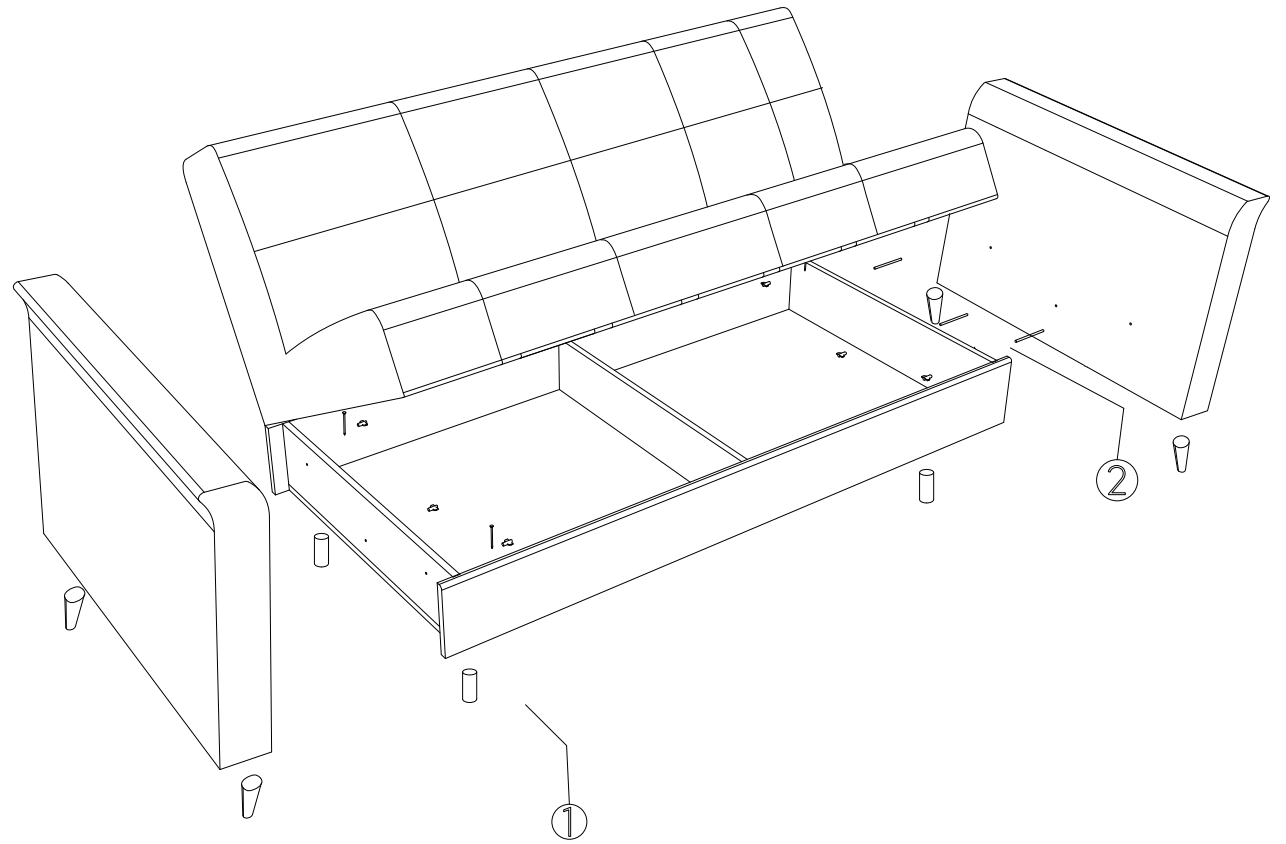
Screw(6)



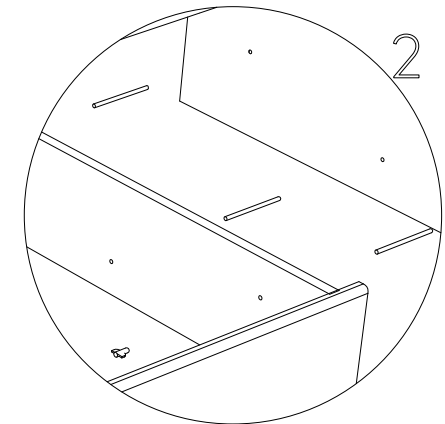
Wingnut(6)



Screw for leg (4)



Legs are fixed to the case and screwed.



Screws are screwed in first to the armrest and then to the case.